



قدم به قدم، همراه دانشجو...

WWW.GhadamYar.Com

جامع ترین و به روزترین پرتال دانشجویی کشور (پرتال دانش)
با ارائه خدمات رایگان، تحصیلی، آموزشی، رفاهی، شغلی و...
برای دانشجویان

- ۱) راهنمای ارتقاء تحصیلی. (کاردانی به کارشناسی، کارشناسی به ارشد و ارشد به دکتری)
- ۲) ارائه سوالات کنکور مقاطع مختلف سالهای گذشته، همراه پاسخ، به صورت رایگان
- ۳) معرفی روش های مقاله و پایان نامه نویسی و ارائه پکیج های آموزشی مربوطه
- ۴) معرفی منابع و کتب مرتبط با کنکورهای تحصیلی (کاردانی تا دکتری)
- ۵) معرفی آموزشگاه ها و مراکز مشاوره تحصیلی معتبر
- ۶) ارائه جزوات و منابع رایگان مرتبط با رشته های تحصیلی
- ۷) راهنمای آزمون های حقوقی به همراه دفترچه سوالات سالهای گذشته (رایگان)
- ۸) راهنمای آزمون های نظام مهندسی به همراه دفترچه سوالات سالهای گذشته (رایگان)
- ۹) آخرین اخبار دانشجویی، در همه مقاطع، از خبرگزاری های پربازدید
- ۱۰) معرفی مراکز ورزشی، تفریحی و فروشگاه های دارای تخفیف دانشجویی
- ۱۱) معرفی همایش ها، کنفرانس ها و نمایشگاه های ویژه دانشجویی
- ۱۲) ارائه اطلاعات مربوط به بورسیه و تحصیل در خارج و معرفی شرکت های معتبر مربوطه
- ۱۳) معرفی مسائل و قوانین مربوط به سربازی، معافیت تحصیلی و امریه
- ۱۴) ارائه خدمات خاص ویژه دانشجویان خارجی
- ۱۵) معرفی انواع بیمه های دانشجویی دارای تخفیف
- ۱۶) صفحه ویژه نقل و انتقالات دانشجویی
- ۱۷) صفحه ویژه ارائه شغل های پاره وقت، اخبار استخدامی
- ۱۸) معرفی خوابگاه های دانشجویی معتبر
- ۱۹) دانلود رایگان نرم افزار و اپلیکیشن های تخصصی و...
- ۲۰) ارائه راهکارهای کارآفرینی، استارت آپ و...
- ۲۱) معرفی مراکز تایپ، ترجمه، پرینت، صحافی و ... به صورت آنلاین
- ۲۲) راهنمای خرید آنلاین ارزی و معرفی شرکت های مطرح
- ۲۳)



WWW.GhadamYar.Ir

WWW.PortaleDanesh.com

WWW.GhadamYar.Org

۰۹۱۲ ۳۰ ۹۰ ۱۰۸

باما همراه باشید...

۰۹۱۲ ۰۹ ۰۳ ۸۰۱

www.GhadamYar.com



407
A



407A

نام
نام خانوادگی
محل امضاء

دفترچه شماره ۱
عصر پنجشنبه
۹۱/۱۱/۱۹



جمهوری اسلامی ایران
وزارت علوم، تحقیقات و فناوری
سازمان سنجش آموزش کشور

اگر دانشگاه اصلاح شود مملکت اصلاح می‌شود.
امام خمینی (ره)

آزمون ورودی دوره‌های کارشناسی ارشد ناپیوسته داخل - سال ۱۳۹۲

مجموعه مهندسی برق - کد ۱۲۵۱

مدت پاسخگویی: ۱۰۵ دقیقه

تعداد سؤال: ۵۴

عنوان مواد امتحانی، تعداد و شماره سؤالات

ردیف	مواد امتحانی	تعداد سؤال	از شماره	تا شماره
۱	زبان عمومی و تخصصی	۳۰	۱	۳۰
۲	ریاضیات (معادلات دیفرانسیل، رانیتات مهندسی، آمار و احتمالات)	۱۲	۳۱	۴۲
۳	مدارهای الکتریکی ۱ و ۲	۱۲	۴۳	۵۴

بهمن ماه سال ۱۳۹۱

استفاده از ماشین حساب مجاز نمی‌باشد.





Part A: Vocabulary

Directions: Choose the word or phrase (1), (2), (3), or (4) that best completes each sentence. Then mark the correct choice on your answer sheet.

- 1- We can ----- the power of the wind to generate electricity.
1) harness 2) justify 3) engender 4) obey
- 2- The discovery of DNA's double-helix structure by James D. Watson and Francis H. Crick reduced genetics to chemistry and laid the ----- for the next half a century of biology.
1) resources 2) spheres 3) distributions 4) foundations
- 3- Does some fine madness plague great artists? Several studies show that creativity and mood ----- are linked.
1) distinctions 2) disorders 3) encounters 4) violations
- 4- The teacher told Ted's mother that her son did not ----- as much interest in math as was expected of him.
1) fascinate 2) emphasize 3) manifest 4) incline
- 5- Blood vessels snake through our bodies, literally ----- our life's blood, their courses visible through our skin only as faint bluish tracks or ropy cords.
1) revive 2) eroding 3) revolving 4) conveying
- 6- The remarkable physical transformation children undergo as they grow up is matched only by the ----- of their minds.
1) metamorphosis 2) illustration 3) presumption 4) reversion
- 7- The third basic theory of moral development puts the emphasis on intellectual growth, arguing that ----- and vice are ultimately a matter of conscious choice.
1) incentive 2) virtue 3) elegy 4) diagnosis
- 8- The court will require clear, ----- evidence before its decision can be changed.
1) widespread 2) eventual 3) flexible 4) cogent
- 9- They accused that European countries of ----- in their country's internal affairs.
1) exploiting 2) meddling 3) persisting 4) culminating
- 10- The first meeting will be in the City Hall, but all ----- meetings will be held in the school.
1) sufficient 2) former 3) subsequent 4) incipient

Part B: Cloze Test

Directions: Read the following passage and decide which choice (1), (2), (3), or (4) best fits each space. Then mark the correct choice on your answer sheet.

How long can humans stay awake? The quick answer is 264 hours, or 11 days. In 1965 Randy Gardner, a (11) -----, set this apparent world record as a science-fair project. Several other research subjects have remained awake for eight to 10 days in (12) -----, None experienced serious medical or psychiatric problems, but all showed progressive and significant deficits in concentration, motivation, (13) ----- and other higher mental processes. (14) -----, all returned to relative normalcy after one or two nights of sleep. Other anecdotal reports describe soldiers (15) ----- awake for four days in battle and unmedicated patients with mania going without sleep for three to four days.

- 11- 1) high school 17-year-old student 2) 17-year-old high school student
3) student of high school aging 17 4) student in a 17-years-old high school
- 12- 1) carefully monitored experiments 2) monitored careful experiments
3) experiments with monitoring carefully 4) carefully monitoring experiments
- 13- 1) the way to perceive 2) perceiving 3) perception 4) to perceive
- 14- 1) Conversely 2) Accordingly 3) Nevertheless 4) Whereas
- 15- 1) staying 2) stayed 3) whose staying 4) those staying





PART C: Reading Comprehension

Directions: Read the following three passages and answer the questions by choosing the best choice (1), (2), (3), or (4). Then mark the correct choice on your answer sheet.

Passage 1:

Smart Grid

The United States (US) is going to secure 25% of the country's electricity from clean, renewable resources by 2025. Yet, renewable sources other than hydropower still provide only about 5% of the electricity supply for the US grid. What is holding the US back?

The grid is partly to blame. The physical reality is that the wind, solar, and geothermal resources are usually located in remote places, while much of the power demand is in urban areas. Like the interstate highway system, we need an electric superhighway that provides infrastructure for electricity to get from North Dakota to New York City easily and efficiently.

Geography issues aside, the current grid has difficulty accommodating variable sources of power like wind and solar energy, the fastest-growing sources of renewable power on the grid. As these resources begin to supply increasing percentages of power to the grid, integrating them into grid operations will become increasingly difficult.

A "Smart Grid" will be able to make better use of these energy resources. It will give grid operators new tools to reduce power demand quickly when wind or solar power dips, and it will have more energy storage capabilities to absorb excess wind and solar power when it is not needed, then to release that energy when the wind and solar power dips. In effect, energy storage will help to smooth out the variability in wind and solar resources, making them easier to use.

Building an electric superhighway can also help solve the problem, as it will help to ship the power to where it is needed. Studies have shown that connecting wind resources from a diversity of geographic locations helps to balance out fluctuations in wind power. In other words, when the wind is not blowing in Iowa, it may be blowing in North Dakota or Wyoming. Having such geographically diverse wind resources on a single electric superhighway will result in a more steady supply of wind power to the US power grid, making it easier for grid operators to make full use of this resource.

16- What does "grid" refer to?

- | | |
|--------------------------------------------|----------------------------------|
| 1) Infrastructure for electricity delivery | 2) Interstate highway system |
| 3) Network | 4) Vertical and horizontal lines |

17- According to the passage,

- 1) Hydropower provides 5% of the electricity supply
- 2) 25% of electricity will be provided by hydropower by 2025
- 3) Renewable sources provide a large percentage of the electricity supply at present
- 4) Renewable sources other than hydropower provide a small fraction of the electricity supply

18- Which one of the following actions is not done by a Smart Grid to make better use of energy resources?

- | | |
|---------------------------------------|-----------------------------------------------|
| 1) Releasing energy when supplies dip | 2) Providing more energy storage capabilities |
| 3) Reducing power demand quickly | 4) Increasing different energy types |

19- What is the meaning of "remote" in the second paragraph?

- | | | | |
|------------|--------|----------|----------|
| 1) Control | 2) Far | 3) Rural | 4) Urban |
|------------|--------|----------|----------|



**20- Which is not a main limitation of the current grid?**

- 1) Geography issues
- 2) Energy storage capabilities
- 3) Accommodating different energy sources
- 4) Accommodating excess energy

Passage 2:

Radio frequency (RF) engineering is a subset of electrical engineering that deals with devices that are designed to operate in the Radio Frequency spectrum. These devices operate within the range of about 3 kHz up to 300 GHz. RF engineering is incorporated into almost everything that transmits or receives a radio wave, which includes, but is not limited to, Mobile Phones, Radios, WiFi, and walkie talkies. RF engineering is a highly specialized field falling typically in one of two areas; 1) providing or controlling coverage with some kind of antenna/transmission system and 2) generating or receiving signals to or from that transmission system to other communications electronics or controls.

To produce quality results, an in-depth knowledge of mathematics, physics, general electronics theory as well as specialized training in areas such as wave propagation, impedance transformations, filters, microstrip circuit board design, etc. may be required. Because of the many ways RF is conducted both through typical conductors as well as through space, an initial design of an RF circuit usually bears very little resemblance to the final optimized physical circuit. Revisions to the design are often required to achieve intended results.

RF engineers are specialists in their respective field and can take on many different roles, such as design, installation, and maintenance. RF engineers require many years of extensive experience in the area of study. This type of engineer has experience with transmission systems, device design, and placement of antennas for optimum performance.

In addition, an RF design engineer must be able to understand electronic hardware design, circuit board material, antenna radiation, and the effect of interfering frequencies that prevent optimum performance within the piece of equipment being developed.

21- Why do we need to revise when an RF circuits is designed?

- 1) Because RF engineering is a highly specialized field.
- 2) Because of the different ways RF is conducted.
- 3) Because these circuits operate within the range of about 3 kHz up to 300 GHz.
- 4) Because an initial design of an RF circuit usually bears resemblance.

22- What does "deal with" mean in the first sentence?

- 1) agree with
- 2) discuss
- 3) cope with
- 4) design

23- According to the text, which of the following statement is false?

- 1) An RF design engineer must be able to understand the effect of interfering frequencies.
- 2) RF engineers are specialists in their respective field such as design, installation, and maintenance.
- 3) RF engineering is connected with everything that transmits or receives a radio wave, for examples: Mobile Phones and WiFi.
- 4) RF devices don't operate within a limited range.

24- Which word is close to the "propagation" meaning?

- 1) conduction
- 2) dissemination
- 3) transmission
- 4) transition

25- It is not necessary that an RF design engineer knows about:

- 1) antenna radiation
- 2) electronic hardware design
- 3) microstrip circuit board design
- 4) software programming



**Passage 3:**

A signal as referred to in communication systems, signal processing, and electrical engineering is a function that conveys information about the behavior or attributes of some phenomenon. In the physical world, any quantity exhibiting variation in time or variation in space (such as an image) is potentially a signal that might provide information on the status of a physical system, or convey a message between observers, among other possibilities. The term "signal" includes, among others, audio, video, speech, image, communication, geophysical, sonar, radar, medical and musical signals.

A signal is physical quantity which varies with respect to time, space and contains information from source to destination.

Other examples of signals are the output of a thermocouple, which conveys temperature information, and the output of a pH meter which conveys acidity information. Typically, electrical signals are often provided by a sensor. Transducer is a device which converts a form of energy to another form of energy but sensor only converts a form of energy to electrical parameters. For example, a microphone is a sensor and converts an acoustic signal to a voltage waveform, and a speaker does the reverse but it is not a type of sensor. The formal study of the information content of signals is the field of information theory. The information in a signal is usually accompanied by noise. The term noise usually means an undesirable random disturbance, but is often extended to include unwanted signals conflicting with the desired signal (such as crosstalk). The prevention of noise is covered in part under the heading of signal integrity. The separation of desired signals from a background is the field of signal recovery, one branch of which is estimation theory, a probabilistic approach to suppressing random disturbances.

26- A speaker converts

- 1) a voltage form to an acoustic signal form.
- 2) an acoustic signal to a voltage form.
- 3) a voltage form to another amplified voltage.
- 4) a low level acoustic signal to high level acoustic signal.

27- According to the text, which of the following statement is valid?

- 1) A signal is physical quality which varies with respect to time and space.
- 2) Noise is unwanted signal conflicting with the desired signal.
- 3) Information theory field discusses about transducers.
- 4) Image is not a type of signal information.

28- What does the word 'conveys' mean in the second line?

- 1) analyses
- 2) shows
- 3) carries
- 4) collects

29- Which definition is right for 'Transducer'? Transducer converts ...

- 1) an acoustic signal to voltage waveform.
- 2) a voltage waveform to another form of energy.
- 3) a form of energy to voltage waveform.
- 4) a form of energy to another form of energy.

30- What does the sentence "The prevention of noise is covered in part under the heading of signal integrity" mean?

- 1) By 'signal integrity' we could prevent of noise.
- 2) 'Signal integrity' is covered by noise.
- 3) Noise is a type of cover which is under the 'signal integrity'.
- 4) Noise covers the signals and we couldn't prevent it.





۳۱- جواب عمومی معادله‌ی دیفرانسیل $\sin y \frac{dy}{dx} = \cos y(1 - x \cos y)$ کدام است؟

$$\frac{1}{\cos y} = x + 1 + ce^{-x} \quad (۲) \qquad \frac{1}{\cos y} = x + 2 + ce^{-x} \quad (۱)$$

$$\frac{1}{\cos y} = x + 1 + ce^{+x} \quad (۴) \qquad \frac{1}{\cos y} = x - 1 + ce^{+x} \quad (۳)$$

۳۲- دو جواب مستقل خطی معادله‌ی دیفرانسیل $x^r y'' + xy' + (x^r - \frac{9}{r})y = 0$ کدام است؟

$$y_r(x) = J_{-\frac{r}{2}}(x) \quad , \quad y_1(x) = J_{\frac{r}{2}}(x) \quad (۱)$$

$$y_r(x) = -y_1(x) \ln|x| + J_{-\frac{r}{2}}(x) \quad , \quad y_1(x) = J_{\frac{r}{2}}(x) \quad (۲)$$

$$y_r(x) = y_1(x) \ln|x| + |x|^{-\frac{r}{2}} \sum_{n=0}^{\infty} b_n x^n \quad , \quad y_1(x) = J_{\frac{r}{2}}(x) \quad (۳)$$

$$y_r(x) = y_1(x) \ln|x| + J_{\frac{r}{2}}(x) \quad , \quad y_1(x) = J_{\frac{r}{2}}(x) \quad (۴)$$

۳۳- کدام یک جواب خصوصی $y_p(x)$ معادله‌ی دیفرانسیل $x^r \frac{d^r y}{dx^r} + x^r \frac{d^r y}{dx^r} - 2x \frac{dy}{dx} + 2y = 2x^r$ است؟

$$\frac{1}{15} x^r + 7x^r \quad (۲) \qquad \frac{1}{15} x^r + 4x \quad (۱)$$

$$\frac{1}{15} x^r + 2x^{-1} \quad (۴) \qquad \frac{1}{15} x^r + x^{-2} \quad (۳)$$

۳۴- جواب معادله $y'' + \frac{1}{x}y' = \frac{\sin x}{x}$ با شرایط $y(0) = 1$ و $y'(0) = 0$ کدام است؟

$$y = 1 + \frac{x^r}{2 \times 2!} - \frac{x^f}{4 \times 4!} + \dots \quad (۲) \qquad y = 1 - \frac{x^r}{2 \times 2!} + \frac{x^f}{4 \times 4!} - \dots \quad (۱)$$

$$y = 1 + \frac{x^r}{2 \times 2!} + \frac{x^f}{4 \times 4!} + \dots \quad (۴) \qquad y = 1 - \frac{x^r}{2 \times 2!} - \frac{x^f}{4 \times 4!} - \dots \quad (۳)$$

۳۵- اگر تابع $f(x) = \sin^2 \frac{x}{r} + \sin^2 \frac{rx}{r} + \sin^2 \frac{\Delta x}{r}$ باشد، مقدار انتگرال $A = \int_{-\pi}^{\pi} f^r(x) dx$ کدام است؟

$$\frac{21}{4} \quad (۲) \qquad 6\pi \quad (۱)$$

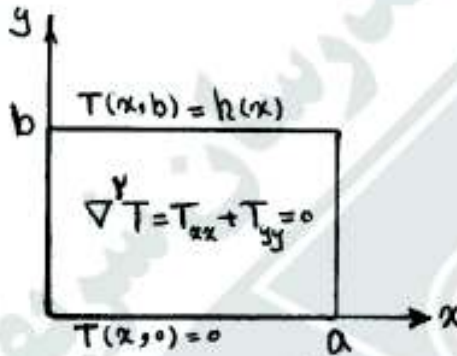
$$\frac{21}{4} \pi \quad (۴) \qquad \frac{21}{8} \pi \quad (۳)$$



۳۶- درجه حرارت $u(x, t)$ میله‌ای به طول π که دو طرف آن، در مخلوط آب و یخ قرار گرفته و دمای اولیه آن $u(x, 0) = \sin x$ است، و در معادله $u_t - u_{xx} = 0$ صدق می‌کند، کدام است؟

- (۱) $e^{-t} \sin 2x$ (۲) $e^{-t} \sin x$
 (۳) $e^t \sin x$ (۴) $e^t \sin x$

۳۷- پایه‌ی متعامد مورد نیاز برای استفاده در حل مسئله مقدار مرزی داده شده از طریق جداسازی متغیرها، کدام است؟ $(h(x))$ تابعی تکدای هموار و معلوم است)



- (۱) $\frac{1}{\gamma}, \sin \frac{\gamma \pi x}{a}, \cos \frac{\gamma \pi x}{a}, \dots, \sin \frac{\gamma n \pi x}{a}, \cos \frac{\gamma n \pi x}{a}, \dots$
 (۲) $\frac{1}{\gamma}, \sin \frac{\pi x}{a}, \cos \frac{\pi x}{a}, \dots, \sin \frac{n \pi x}{a}, \cos \frac{n \pi x}{a}, \dots$
 (۳) $\frac{1}{\gamma}, \sin \frac{\pi x}{a}, \cos \frac{\pi x}{a}, \dots, \sin \frac{(\gamma n - 1) \pi x}{a}, \cos \frac{(\gamma n - 1) \pi x}{a}, \dots$
 (۴) $\sin \frac{\gamma \pi x}{a}, \cos \frac{\gamma \pi x}{a}, \dots, \sin \frac{\gamma n \pi x}{a}, \cos \frac{\gamma n \pi x}{a}, \dots$

شرایط مرزی داده شده در شکل است:
 $T(0, y) = T(a, y)$
 $T_x(0, y) = T_x(a, y)$

۳۸- در مورد تابع مختلط $f(z) = \begin{cases} \frac{(\bar{z})^2}{z}, & z \neq 0 \\ 0, & z = 0 \end{cases}$ ، گزینه‌ی صحیح کدام است؟

- (۱) در مبدأ $(0, 0)$ روابط کشی - ریمن برقرار نیستند.
 (۲) در نقطه $z = 0$ مشتق پذیر است.
 (۳) مشتقات جزئی مرتبه اول نواع حقیقی $\text{Re} f(z)$ و $\text{Im} f(z)$ در $(0, 0)$ پیوسته نیستند.
 (۴) در نقطه $z = 0$ مشتق پذیر نیست چون روابط کشی - ریمن در مبدأ برقرار نیست.

۳۹- دایره‌ای به مرکز نقطه z_0 و به شعاع ρ_0 به قسمی که $\rho_0 = |z_0|$ در صفحه z مفروض است. دایره تبدیل $w = \frac{1}{z}$ ، معادله

- این دایره به کدام رابطه در صفحه‌ی w تبدیل می‌شود؟
 (۱) $1 + 2 \text{Re}(z_0 \bar{w}) = 0$ (۲) $1 - 2 \text{Re}(z_0 w) = 0$
 (۳) $1 + 2 \text{Re}(z_0 w) = 0$ (۴) $1 - 2 \text{Re}(\bar{z}_0 w) = 0$

۴۰- C رمز ساده بسته‌ای پیموده شده در جهت مثلثاتی است، که به ازای هر نقطه z روی آن داریم $|z| > 1$ ، در این صورت مقدار

انتگرال $\oint_C \frac{dz}{z^n + 1}$ ($n > 1$ عدد طبیعی) کدام است؟

- (۱) $\frac{-2\pi i}{n}$ (۲) $-2\pi i$
 (۳) 0 (۴) $2\pi i$

۴۱- X_1, X_2, X_3 سه متغیر تصادفی یواسن مستقل از هم با پارامترهای به ترتیب $\lambda_1 = 4, \lambda_2 = 2$ و $\lambda_3 = 1$ می‌باشند. اگر $Y = X_1 + 2X_2 + 4X_3$ باشد، آنگاه احتمال $P(Y < 2)$ برابر کدام است؟

(۱) $1 - e^{-Y}$

(۲) $13e^{-12}$

۴۲- تابع چگالی احتمال توأم X و Y به صورت زیر داده شده است.

$$f(x,y) = \begin{cases} ce^{-x-y}, & 0 < x, 0 < y \\ 0, & \text{در غیر این صورت} \end{cases}$$

تابع چگالی احتمال $f_X(a)$ متغیر تصادفی $\frac{X}{Y}$ ، کدام است؟

(۲) $\frac{a}{a+1}, \forall a > 0$

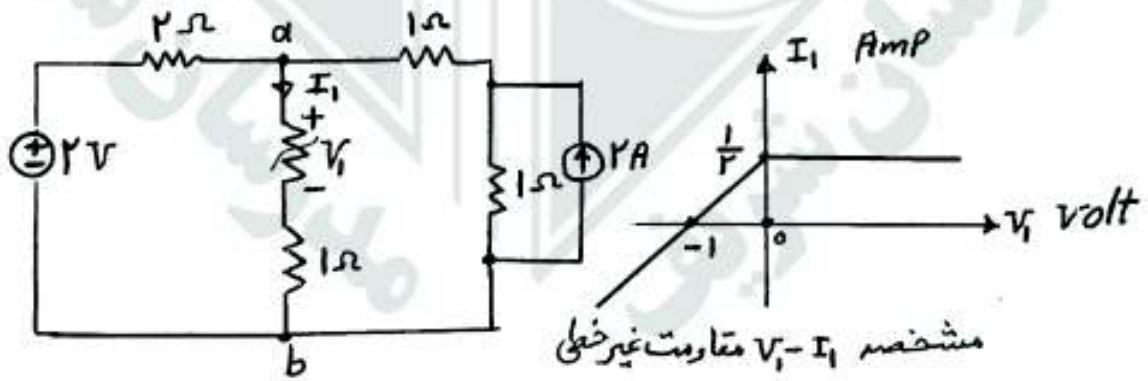
(۴) $\frac{a^2}{(a+1)^2}, \forall a > 0$

(۱) $\frac{1}{(a+1)^2}, \forall a > 0$

(۳) $\frac{a}{(a+1)^2}, \forall a > 0$

مدارهای الکتریکی (۱ و ۲)

- ۴۳- گراف مداری پنج گروه و نه شاخه دارد. تعداد ولتاژهای مستقل از هم مدار برابر کدام است؟
- (۱) تعداد معادلات KCL مستقل از هم مدار
 - (۲) تعداد جریان‌های مستقل از هم مدار
 - (۳) تعداد معادلات KVL مستقل از هم مدار
 - (۴) تعداد معادلات KVL مستقل از هم مدار
- ۴۴- ولتاژ V_{ab} در مدار زیر، چند ولت است؟



مشخص $V_1 - I_1$ مقاومت غیر خطی

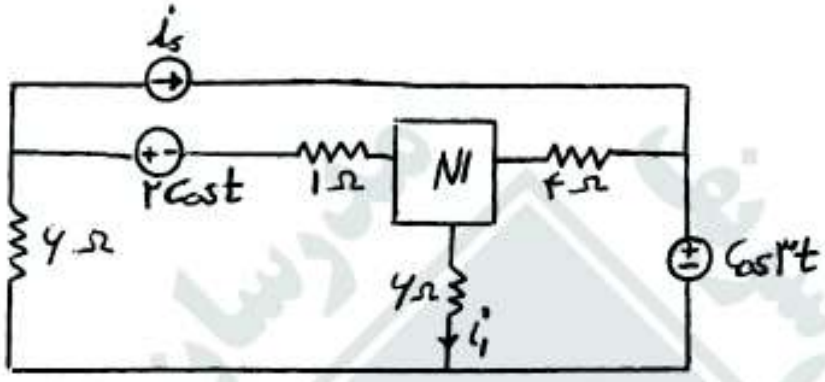
(۴) $\frac{5}{2}$

(۳) $\frac{3}{2}$

(۲) ۲

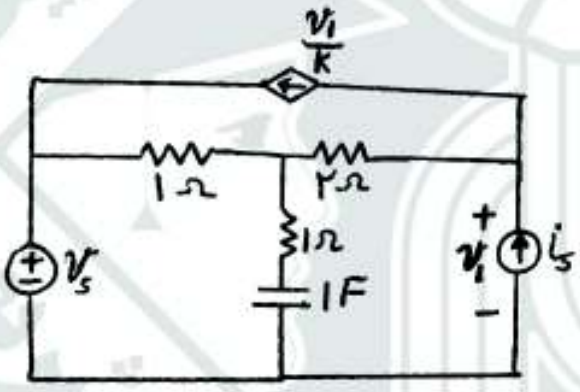
(۱) $\frac{1}{2}$

۴۵- در مدار مقاومتی خطی با جواب یگانه زیر، اگر $i_0 = 5 \sin 2t + 4$ و آمپر باشد، در جریان i_1 یکی از جملات برابر $-\frac{1}{5} \cos t$ است. جمله ثابت در i_1 کدام است؟ (بدون منابع مستقل است).



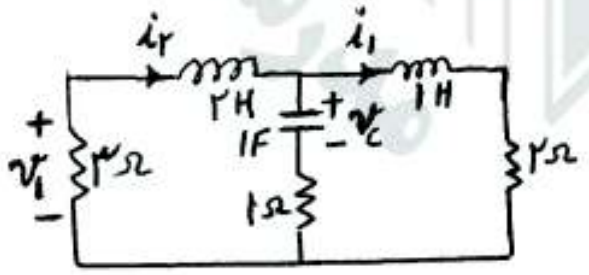
- (۱) -۶
- (۲) -۲٫۴
- (۳) -۵٫۴
- (۴) ۴

۴۶- فرکانس طبیعی مدار زیر، برابر $-\frac{1}{3}$ است. وقتی خازن اتصال باز است، چه مقاومتی از دو سر منبع جریان مستقل دیده می‌شود؟ (k ثابت)



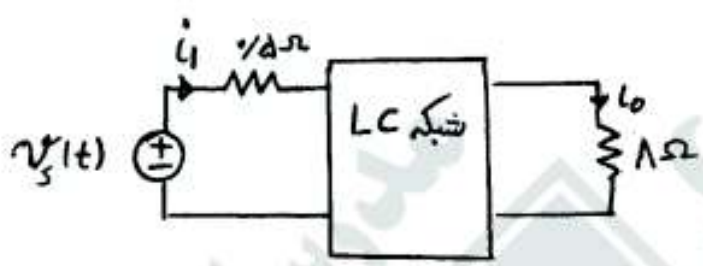
- (۱) -۴Ω
- (۲) ۳Ω
- (۳) ۸Ω
- (۴) ۱۲Ω

۴۷- در مدار زیر اگر $i_1(0^-) = i_2(0^-) = 1$ آمپر و $v_c(0^-) = 1$ ولت باشد، مقدار $v_1(0^+)$ برابر کدام است؟



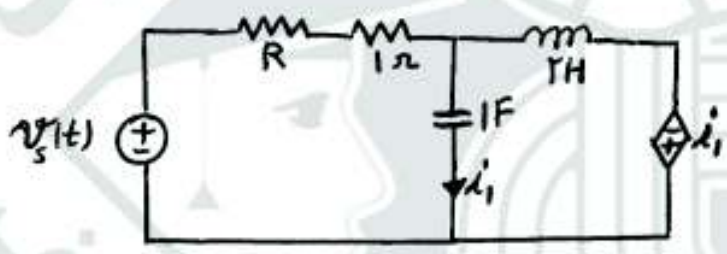
- (۱) ۳
- (۲) ۶
- (۳) ۹
- (۴) ۱۲

۴۸- در مدار روبه‌رو، که در وضعیت دائمی سینوسی قرار دارد، اگر $v_s(t) = \cos \omega t$ ولت و $i_1(t) = \frac{1}{\sqrt{2}} \cos(\omega t - \frac{\pi}{3})$ آمپر باشد، دامنه جریان $i_0(t)$ چند آمپر است؟



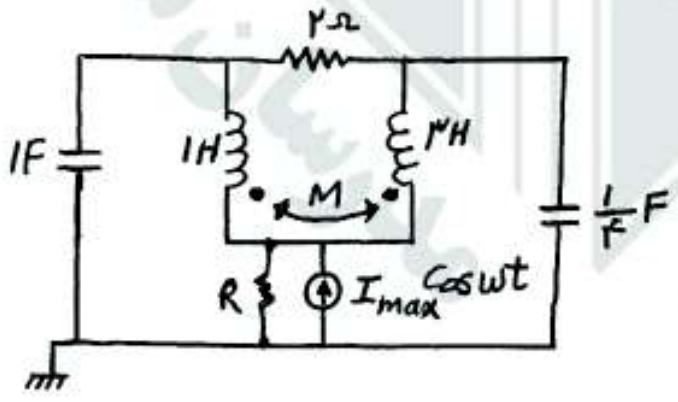
- (۱) $\frac{1}{8}$
- (۲) $\frac{1}{40}$
- (۳) $\frac{1}{4}$
- (۴) $\frac{1}{2}$

۴۹- وقتی در وضعیت دائمی سینوسی با فرکانس $\omega = 1 \frac{\text{rad}}{\text{sec}}$ بیشترین توان متوسط مقاومت R برابر $2\sqrt{5}$ وات است، مجموع تون‌های متوسط منابع و لناژ چند وات است؟



- (۱) $-2(\sqrt{5}+1)$
- (۲) $-2\sqrt{5}$
- (۳) $+2(\sqrt{5}+1)$
- (۴) $2\sqrt{5}$

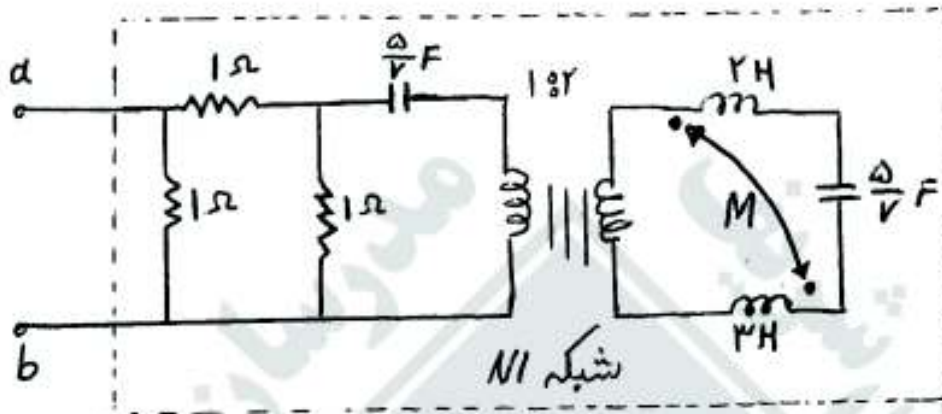
۵۰- در مدار زیر، در وضعیت دائمی سینوسی جریان مقاومت 2Ω صفر است، مقدار M چند هانری است؟



- (۱) $\frac{1}{6}$
- (۲) $\frac{1}{3}$
- (۳) $\frac{1}{2}$
- (۴) $\frac{2}{3}$

2

۵۱- ضریب تزویج متقابل M را به نحوی تعیین کنید که ضریب توان حقیقی N در فرکانس $\omega = 1 \frac{\text{rad}}{\text{sec}}$ برابر یک باشد؟



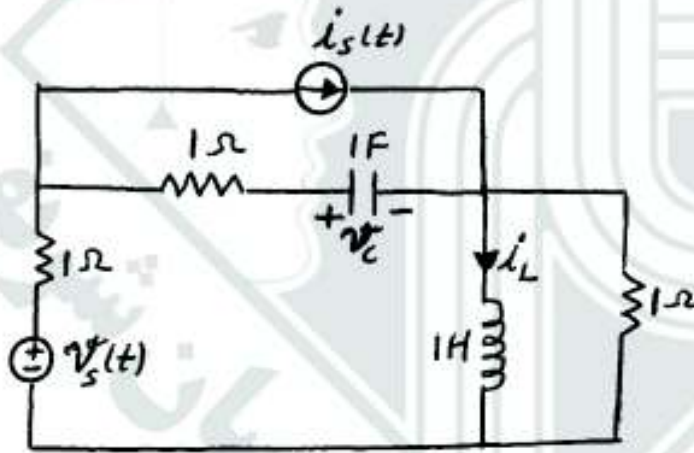
$M = \frac{1}{3} \text{H}$ (۱)

$M = \frac{1}{2} \text{H}$ (۲)

$M = 2 \text{H}$ (۳)

$M = 1 \text{H}$ (۴)

۵۲- در مدار زیر، با انتخاب $\underline{X} = \begin{bmatrix} v_c \\ i_L \end{bmatrix}$ به عنوان بردار بردار حالت، ماتریس \underline{A} در معادلات حالت برابر کدام است؟



$(\dot{\underline{X}} = \underline{A}\underline{X} + \underline{B}\underline{W})$

$\underline{A} = \begin{bmatrix} -1 & 1 \\ -1 & -2 \end{bmatrix}$ (۱)

$\underline{A} = \begin{bmatrix} 1 & -1 \\ 1 & 2 \\ 1 & 2 \end{bmatrix}$ (۲)

$\underline{A} = \begin{bmatrix} -1 & 1 \\ 2 & 2 \\ -1 & -2 \end{bmatrix}$ (۳)

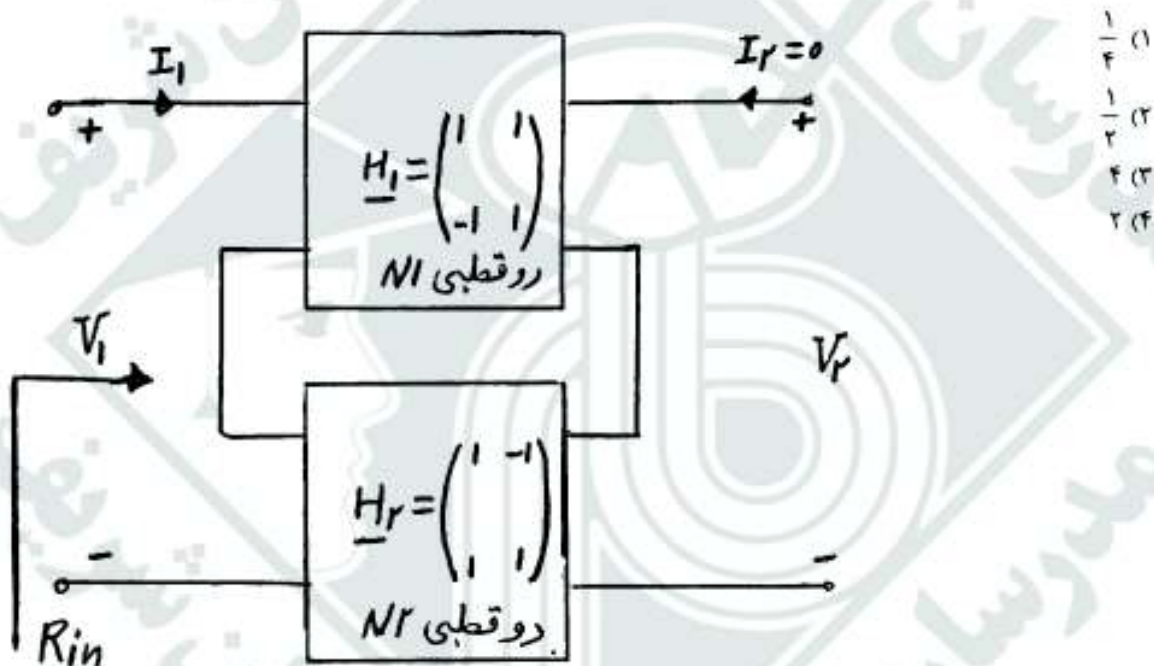
$\underline{A} = \begin{bmatrix} 1 & -1 \\ 1 & 2 \end{bmatrix}$ (۴)

۵۳- در مدار مرتبه سوم A، تابع انتقال $\frac{V_o}{V_s} = \frac{10}{(s+1)(s+2)}$ و در مدار مرتبه سوم B تابع انتقال $\frac{V_o}{V_s} = \frac{5}{(s+1)^2(s+2)}$ را

داریم. در کدام مدار با $v_s = \cos t$ حتماً $v_o(t)$ را داریم و با کدام دامنه سینوسی؟

- (۱) در موارد B با دامنه $\frac{1}{4}$ (۲) در مدار A با دامنه $\frac{1}{4}$
 (۳) در مدار A با دامنه $\sqrt{10}$ (۴) در مدار B با دامنه $\frac{\sqrt{5}}{2}$

۵۴- در اتصال دو تا دو قطبی روبرو، مقاومت ورودی کل با $I_r = 0$ چند اهم است؟ (\underline{H}_1 و \underline{H}_2 ماتریس‌های هایبرید هستند و بعد از اتصال دو قطبی‌ها تغییر نمی‌کنند)





408
C



نام
نام خانوادگی
محل امضاء

دفترچه شماره ۲
عصر پنجشنبه
۹۱/۱۱/۱۹



جمهوری اسلامی ایران
وزارت علوم، تحقیقات و فناوری
سازمان سنجش آموزش کشور

اگر دانشگاه اصلاح شود مملکت اصلاح می‌شود.
امام خمینی (ره)

آزمون ورودی دوره‌های کارشناسی ارشد ناپیوسته داخل - سال ۱۳۹۲

مجموعه مهندسی برق - کد ۱۲۵۱

مدت پاسخگویی: ۱۵۰ دقیقه

تعداد سؤال: ۹۶

عنوان مواد امتحانی، تعداد و شماره سؤالات

ردیف	مواد امتحانی	تعداد سؤال	از شماره	تا شماره
۱	سیستم‌های کنترل خطی	۱۲	۵۵	۶۶
۲	تجزیه و تحلیل سیستم‌ها	۱۲	۶۷	۷۸
۳	بررسی سیستم‌های قدرت ۱	۱۲	۷۹	۹۰
۴	مدار متلفی و ریزبردارنده‌ها	۱۲	۹۱	۱۰۲
۵	الکترونیک ۱ و ۲	۱۲	۱۰۳	۱۱۴
۶	ماشین‌های الکتریکی ۱ و ۲	۱۲	۱۱۵	۱۲۶
۷	الکترومغناطیس	۱۲	۱۲۷	۱۳۸
۸	مقدمه‌ای بر مهندسی پزشکی	۱۲	۱۳۹	۱۵۰

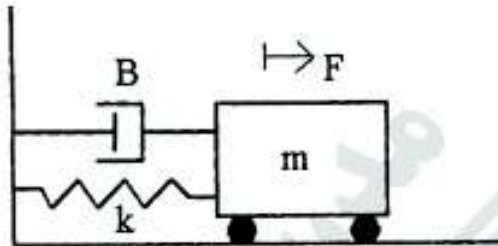
* برای داوطلبان گرایش مهندسی پزشکی انتخاب یکی از دو درس ردیف‌های ۷ و ۸ اجباری است.

بهمن ماه سال ۱۳۹۱

استفاده از ماشین حساب مجاز نمی‌باشد.



۵۵- در شکل زیر، هدف آن است که پس از اعمال نیروی $F = 1 \text{ N}$ در زمان $t = 0$ ، جرم در فاصله یک متری از نقطه‌ی اولیه متوقف شود. با فرض این که ضریب اصطکاک جرم با سطح زمین قابل صرف‌نظر باشد، به ازای جرم 1 kg مقادیر B و K را به گونه‌ای بدست آورید، تا مسافت طی شده توسط جرم برای رسیدن به نقطه هدف مینیمم باشد؟



$$(1) \quad K = 1, B > 2$$

$$(2) \quad K = 1, B \geq 2$$

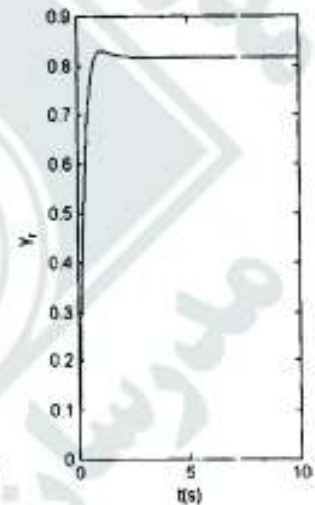
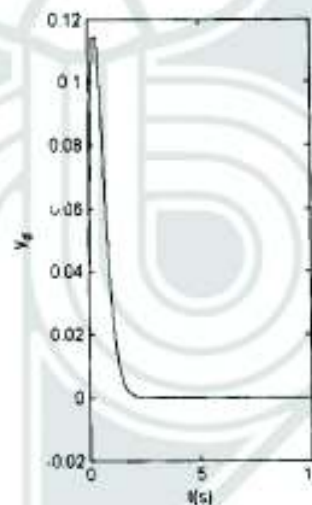
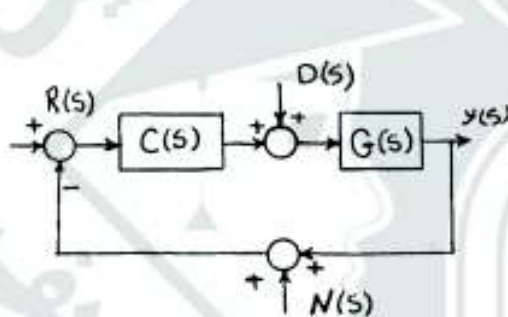
$$(3) \quad K = 1, -2 < B < 2$$

$$(4) \quad B = 2 \text{ بستگی به } K \text{ ندارد.}$$

۵۶- سیستم حلقه بسته‌ی زیر را در نظر بگیرید. فرض کنید پاسخ پله واحد $y(s)$ به ازاء $(D(s) = \frac{1}{s}, R(s) = N(s) = 0)$.

y_d و پاسخ آن به ازاء $(R(s) = \frac{1}{s}, D(s) = N(s) = 0)$ باشد. اگر y_r و y_d به صورت شکل زیر باشند، کدام گزینه

در مورد کران سیگنال‌ها، به ازای $R(s) = \frac{1}{s}$ و $D(s) = 0$ درست است؟



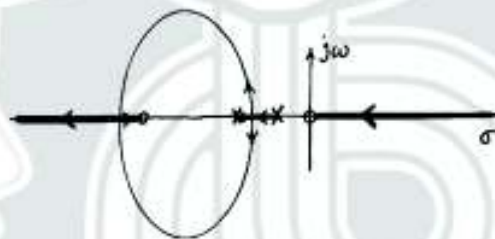
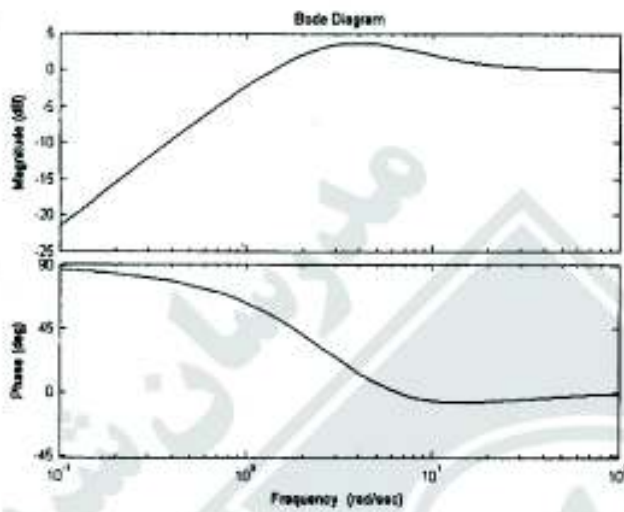
(۱) سیگنال $u(t)$ محدود و $y(t)$ نامحدود

(۲) سیگنال $y(t)$ نامحدود و $u(t)$ نامحدود

(۳) سیگنال $u(t)$ نامحدود و $y(t)$ محدود

(۴) سیگنال $y(t)$ محدود و $u(t)$ محدود

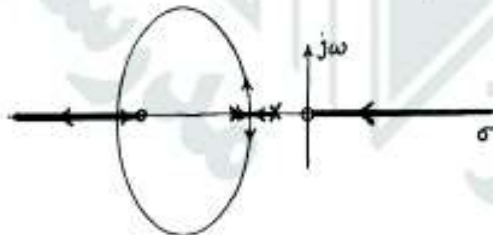
۵۷- سیستم فیدبک واحد با تابع تبدیل مسیر پیشروی $G(s)$ ، که پاسخ فرکانسی آن در شکل نشان داده شده است را در نظر بگیرید. مکان هندسی ریشه‌های سیستم ($k < 0$) و وضعیت قطب‌ها به ازاء $k = -1$ چگونه است؟



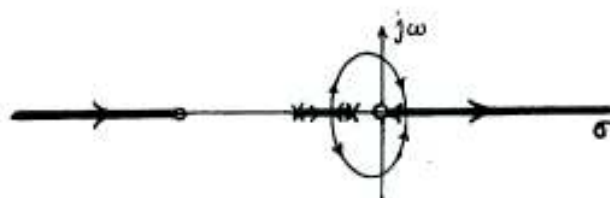
(۱) با دو ریشه در LHP



(۲) با دو ریشه در RHP



(۳) یک ریشه در ∞ ، یک ریشه در LHP



(۴) یک ریشه در ∞ ، یک ریشه در RHP

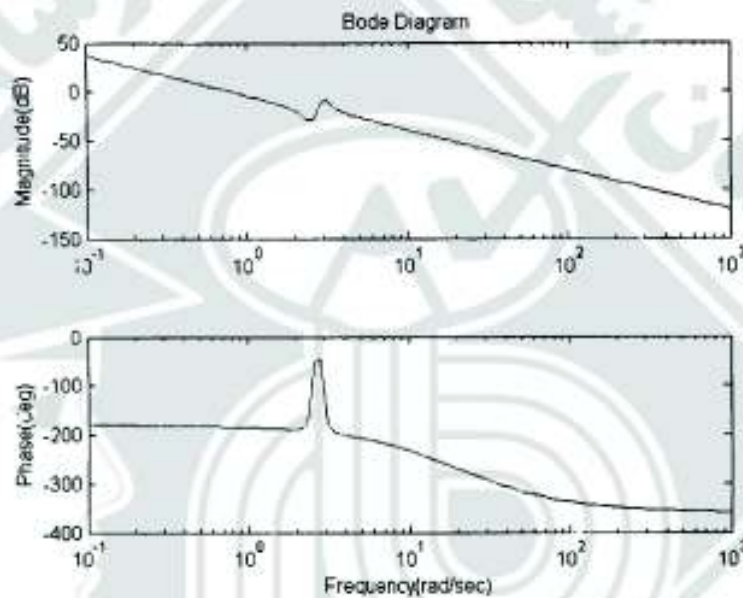
۵۸- گزیده‌ی نادرست، کدام است؟

(۱) تأخیر زمانی، فرکانس گذر فاز را کاهش می‌دهد.

 (۲) زمان نشست تابع تبدیل $\frac{4}{s^2 + 2\sqrt{14}s + 4}$ با معیار ۵ درصد با $\frac{3}{1/14}$ برابر است.

(۳) سیستم با صفر نزدیک به مبدأ، دارای پالازدگی نزدیک به بی‌نهایت در پاسخ پله می‌باشد.

(۴) اگر متحنی فاز و اندازه نزولی باشند و سیستم مینیمم فاز باشد، در صورتی که فرکانس گذر فاز کوچک‌تر از فرکانس گذر بهره باشد، سیستم ناپایدار است.

 ۵۹- پاسخ فرکانسی $G(s)$ داده شده است. تابع تبدیل کدام است؟


$$\zeta_1 \equiv \zeta_2$$

$$\alpha > 0$$

$$\omega_{n1} < \omega_{n2}$$

$$G(s) = \frac{(s^2 + 2\zeta_1\omega_{n1}s + \omega_{n1}^2)(1 - \alpha s)}{s^2(s^2 + 2\zeta_2\omega_{n2}s + \omega_{n2}^2)(1 + \alpha s)} \quad (1)$$

$$G(s) = \frac{(s^2 + 2\zeta_1\omega_{n1}s + \omega_{n1}^2)(s - \alpha)}{s^2(s^2 + 2\zeta_2\omega_{n2}s + \omega_{n2}^2)(s + \alpha)}$$

$$\alpha > 0$$

$$\omega_{n1} < \omega_{n2} \quad (2)$$

$$\zeta_1 \equiv \zeta_2$$

$$G(s) = \frac{(s^2 + 2\zeta_1\omega_{n1}s + \omega_{n1}^2)(1 - \alpha s)}{s^2(s^2 + 2\zeta_2\omega_{n2}s + \omega_{n2}^2)(1 + \alpha s)}$$

$$\alpha > 0$$

$$\omega_{n1} < \omega_{n2} \quad (3)$$

$$\zeta_1 \gg \zeta_2$$

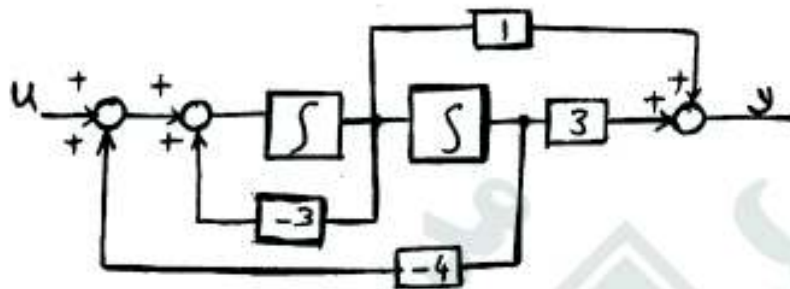
$$G(s) = \frac{(s^2 + 2\zeta_1\omega_{n1}s + \omega_{n1}^2)(1 - \alpha s)}{s^2(s^2 + 2\zeta_2\omega_{n2}s + \omega_{n2}^2)(1 + \alpha s)}$$

$$\alpha > 0$$

$$\omega_{n1} > \omega_{n2} \quad (4)$$

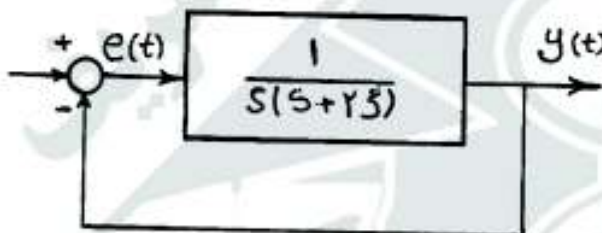
$$\zeta_1 \equiv \zeta_2$$

۶۰- بلوک دیاگرام حالت سیستمی به شکل زیر است. اگر $u = -y$ در نظر گرفته شود، پاسخ سیستم کدام است؟



- (۱) پایدار و نوسانی میرا شونده
- (۲) نوسانی نامیرا
- (۳) ناپایدار
- (۴) پایدار و میرای بحرانی

۶۱- در سیستم کنترل زیر، $\zeta \geq 1$ و $y(t)$ پاسخ پله سیستم می‌باشد. اگر $e(t) = 1 - y(t)$ بیانگر خطای پاسخ پله سیستم باشد، در این صورت مقدار شاخص $J = \int_0^{\infty} t |\dot{e}(t)| dt$ کدام است؟

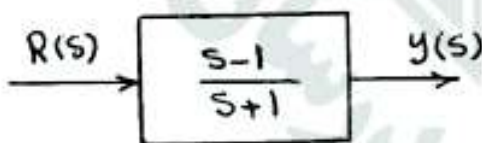


- (۱) 2ζ
- (۲) ζ
- (۳) ۱
- (۴) ۲

۶۲- گزینه صحیح کدام است؟

- (۱) با دور شدن قطب‌های سیستم حلقه بسته از محور موهومی، سرعت پاسخ زمانی افزایش می‌یابد.
- (۲) با دور شدن قطب‌های سیستم حلقه بسته از محور موهومی، ممکن است بالازدگی پاسخ پله افزایش یابد.
- (۳) افزودن فیدبک سرعت به سیستم کنترل وضعیت، باعث کاهش خطای حالت دائمی به ورودی شیب می‌گردد.
- (۴) در سیستم مرتبه دو استاندارد، افزایش ضریب مشتق‌گیر در کنترل کننده PD، باعث افزایش خطای حالت دائمی به ورودی شیب می‌شود.

۶۳- در سیستم روبه‌رو، تحت چه شرایطی $y(s) = 0$ می‌شود.



(۱) $R(t) = e^{+t}$ و $y(0) = 1$

(۲) $R(t) = e^{-t}$ و $y(0) = \text{ازاد}$

(۳) $R(t) = e^{+t}$ و $y(0) = -1$

(۴) $R(t) = e^{-t}$ و $y(0) = 0$

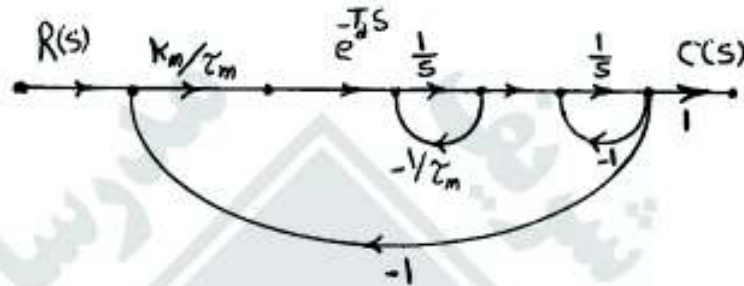
۶۴- معادله مشخصه زیر را در نظر بگیرید.

$$Q(s) = s^5 + 3s^3 + s^2 + 2s + 2$$

تعداد ریشه‌های $Q(s)$ در RHP، LHP و روی محور $j\omega$ کدام است؟

- (۱) صفر ریشه در RHP، دو ریشه $j\omega$ و سه ریشه در LHP
- (۲) دو ریشه در RHP، دو ریشه $j\omega$ و یک ریشه در LHP
- (۳) دو ریشه در RHP، و سه ریشه در LHP
- (۴) یک ریشه در RHP، دو ریشه $j\omega$ ، و یک ریشه در LHP

۶۵- اگر $G(s)$ تابع تبدیل مسیر پیشرو در سیستم فیدبک واحد زیر باشد. حساسیت سیستم حلقه باز و سیستم حلقه بسته نسبت به تغییرات T_d ($S_{T_d}^T$ و $S_{T_d}^G$) کدام است؟



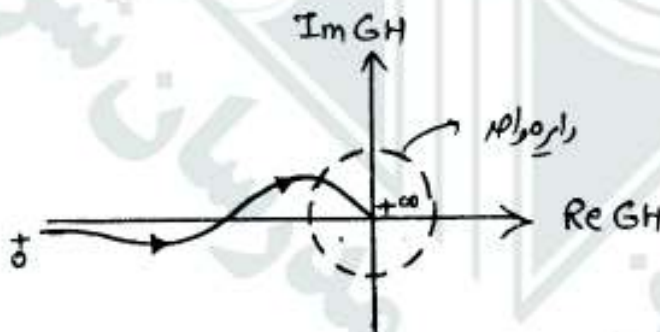
$$S_{T_d}^T = \frac{-T_d s(1 + \tau_m s)(s+1)}{(\tau_m s + 1)(s+1) + K_m e^{-T_d s}}, \quad S_{T_d}^G = \frac{-K_m s e^{-T_d s}}{(\tau_m s + 1)(s+1)} \quad (1)$$

$$S_{T_d}^T = \frac{-T_d s(1 + \tau_m s)(s+1)}{(\tau_m s + 1)(s+1) + K_m e^{-T_d s}}, \quad S_{T_d}^G = -T_d s \quad (2)$$

$$S_{T_d}^T = \frac{-T_d s}{(\tau_m s + 1)(s+1) + K_m e^{-T_d s}}, \quad S_{T_d}^G = -T_d s \quad (3)$$

$$S_{T_d}^T = \frac{-K_m s e^{-T_d s}}{(\tau_m s + 1)(s+1) + K_m e^{-T_d s}}, \quad S_{T_d}^G = \frac{-K_m s e^{-T_d s}}{(\tau_m s + 1)(s+1)} \quad (4)$$

۶۶- نمودار قطبی مربوط به یک سیستم کنترلی مینیمم فاز با فیدبک واحد منفی ترسیم شده است. جهت دستیابی به خطای حالت ماندگار صفر به ورودی شیب، ساده‌ترین جبران‌ساز سری کدام است؟



(۱) تناسبی

(۲) P/D

(۳) PI

(۴) PD

۶۷- اگر $x_p(t) = x_1(t) + x_2(t)$ ، $x_p(t) = \sum_{k=-\infty}^{+\infty} \cos(\pi t^2) \delta(t-k)$ ، $x_1(t) = \sum_{k=-\infty}^{+\infty} \cos(\frac{t}{\gamma}) \delta(t-k\pi)$ باشد در

این صورت:

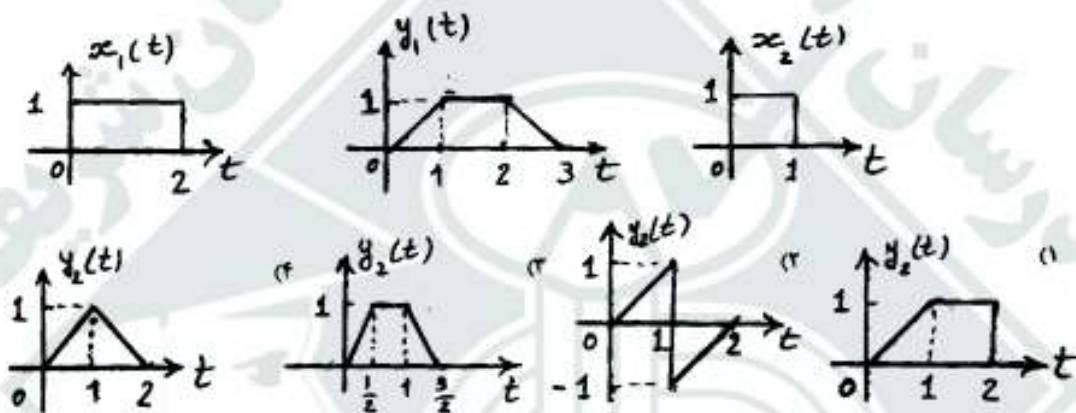
(۱) $x_1(t)$ و $x_2(t)$ متناوب و $x_p(t)$ نامتناوب است.

(۲) هر سه سیگنال متناوب هستند.

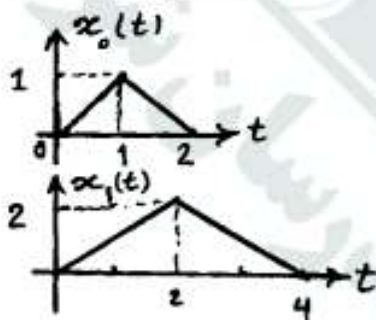
(۳) $x_1(t)$ متناوب و $x_2(t)$ و $x_p(t)$ نامتناوب نمی‌باشند.

(۴) هیچ کدام متناوب نیستند.

۶۸- با اعمال $x_1(t)$ به ورودی یک سیستم LTI، خروجی $y_1(t)$ حاصل می‌شود. اگر $x_2(t)$ به ورودی همین سیستم اعمال گردد، خروجی $y_2(t)$ کدام است؟



۶۹- اگر $y_0(t)$ پاسخ یک سیستم LTI پایدار به ورودی $x_0(t)$ بوده و بدانیم $\int_{-\infty}^{+\infty} y_0(t) dt = \pi$ می‌باشد، آن‌گاه در مورد $y_1(t)$ که پاسخ همان سیستم به ورودی $x_1(t)$ است، چه می‌توان گفت؟



$$\int_{-\infty}^{+\infty} y_1(t) dt = 2\pi \quad (۱)$$

$$\int_{-\infty}^{+\infty} y_1(t) dt = -4\pi \quad (۲)$$

$$\int_{-\infty}^{+\infty} y_1(t) dt = +4\pi \quad (۳)$$

$$\int_{-\infty}^{+\infty} y_1(t) dt = 0 \quad (۴)$$

۷۰- اگر تابع سیستم یک سیستم خطی نامتغیر با زمان برابر $H(s) = \frac{1}{(s-a)(s-b)(s-c)}$ باشد، به طوریکه a و b و c اعداد حقیقی و $a < b < 0 < c$ و ناحیه همگرایی آن $b < \text{Re}\{s\} < c$ باشد، آن‌گاه در مورد علی بودن و پایداری آن چه می‌توان گفت؟

(۲) سیستم غیرعلی و ناپایدار است.

(۱) سیستم علی و پایدار است.

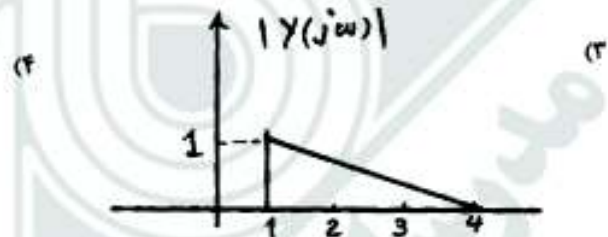
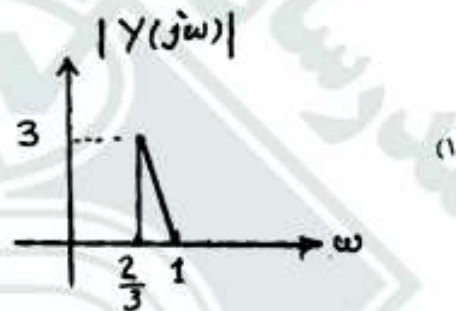
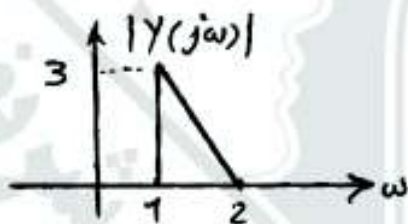
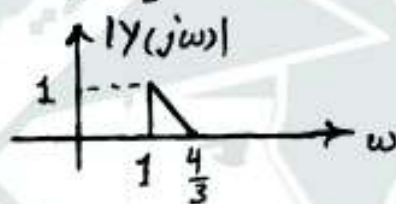
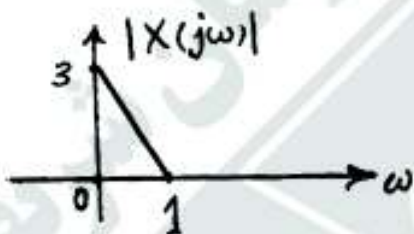
(۴) سیستم غیرعلی و پایدار است.

(۳) سیستم علی و ناپایدار است.

۷۱- برای سیگنال مختلط $\tilde{x}[n]$ با دوره متناوب ۴ داریم:
 $\tilde{x}[0]=1-j$ ، $\tilde{x}[1]=1+j$ و $\tilde{x}[2]=1$ ، $\tilde{x}[3]=1-j$
 را به صورت سیگنالی تعریف کنیم. که ضرایب سری فوریه آن برابر با $\tilde{a}_k = \text{Re}\{\tilde{a}_k\}$ ، $\forall k \in \mathbb{Z}$ است. در این صورت، $\tilde{y}[1]$ برابر کدام است:

- (۱) $1+j$
 (۲) 2
 (۳) $1-j$
 (۴) $1-j$

۷۲- اندازه تبدیل فوریه سیگنال $x(t)$ در شکل زیر داده شده است. اندازه تبدیل فوریه $y(t) = x(3t-2)e^{jt}$ کدام است؟

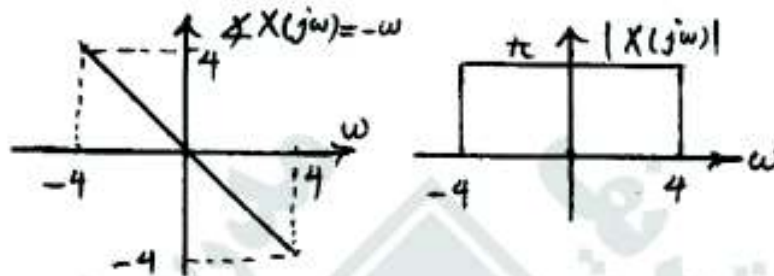


۷۳- اگر سیگنال $x(t)$ دارای تبدیل لاپلاس $X(s) = \frac{3s+7}{s^2+6s^2+11s+6}$ باشد و $y(t) = x(2t)$ و بدانیم برای $t < 0$

صفر است. مقدار حد $A = \lim_{t \rightarrow 0^+} \frac{dy(t)}{dt}$ برابر کدام است؟

- (۱) صفر
 (۲) ۶
 (۳) ۳
 (۴) $\frac{7}{6}$

۷۴- در صورتی که اندازه و فاز تبدیل فوری سیگنال $x(t)$ به صورت شکل زیر باشد. فاز تبدیل فوری سیگنال $y(t) = |x(t)|^2$ کدام مورد خواهد بود؟



(۱) برابر با صفر خواهد بود.

(۲) برابر با فاز تبدیل فوری سیگنال $x(t)$ یعنی $\angle X(j\omega) = -\omega$ خواهد بود.

(۳) برابر با $\angle y(j\omega) = -4\omega$ خواهد بود.

(۴) برابر با $\angle y(j\omega) = -2\omega$ خواهد بود.

۷۵- فرض کنید $X(z)$ تبدیل z سیگنال گسسته $x[n]$ است. صفرهای $X(z)$ در $z = \pm 4$ و دو قطب در $z = 0$ می‌باشد. اگر

$y[n] = x^2[n]$ باشد، صفرهای تابع $y(z)$ کدام است؟

(۱) $z = \pm j8$

(۲) $z = \pm 4$

(۳) $z = \pm 4$ ، به صورت مضاعف

(۴) $z = \pm j6$

۷۶- فرض کنید سیگنال $x(t)$ به صورت زیر تعریف شده باشد: $x(t) = \sum_{k=-\infty}^{+\infty} \text{sinc}(t-k)$ که $\text{sinc}(x) = \frac{\sin(\pi x)}{\pi x}$ در این صورت مقدار $x\left(\frac{1}{4}\right) + x\left(\frac{3}{4}\right)$ برابر است با:

(۱) ۱

(۲) $-\frac{3}{2}$

(۳) ۲

(۴) $\frac{6}{4}$

۷۷- سیستم LTI با پاسخ ضربه $h[n] = \delta[n] - \left(\frac{1}{2}\right)^{-n} \delta[n-\Delta]$ را در نظر بگیرید. کدام گزینه، می‌تواند پاسخ ضربه سیستم معکوس پایدار سیستم فوق باشد؟

(۱) $h_1[n] = r^{\Delta n} u[n]$

(۲) $h_1[n] = -r^{-\Delta n} u[-n-1]$

(۳) $r \in \mathbb{Z}$ برای $h_1[n] = \begin{cases} -r^n u[n] & n = \Delta r \\ 0 & n \neq \Delta r \end{cases}$

(۴) $r \in \mathbb{Z}$ برای $h_1[n] = \begin{cases} -r^n u\left[-\frac{n}{\Delta}-1\right] & n = \Delta r \\ 0 & n \neq \Delta r \end{cases}$

۷۸- در یک سیستم LTI پایداری علی با پاسخ ضربه $h[n]$ ، پاسخ سیستم به ورودی $x[n] = 1 + \cos[2\pi f_0 n + \frac{\pi}{3}]$ به صورت

$y[n] = j - e^{j2\pi f_0 n}$ به دست آمده است. مقدار $\sum_{n=-\infty}^{+\infty} \text{Re}\{h[n] \sin(2\pi f_0 n)\}$ در این سیستم برابر کدام است؟

$$\sum_n \text{Re}\{h[n]\} \sin(2\pi f_0 n) = -1 \quad (1)$$

$$\sum_n \text{Re}\{h[n]\} \sin(2\pi f_0 n) = \sum_n \text{Re}\{h[n]\} \cos(2\pi f_0 n) \quad (2)$$

$$\sum_n \text{Re}\{h[n]\} \sin(2\pi f_0 n) = \sin \frac{\pi}{3} \quad (3)$$

$$\sum_n \text{Re}\{h[n]\} \sin(2\pi f_0 n) = -1 \quad (4)$$

بررسی سیستم‌های قدرت ۱

۷۹- ثابت‌های یک خط انتقال به شرح زیر است:

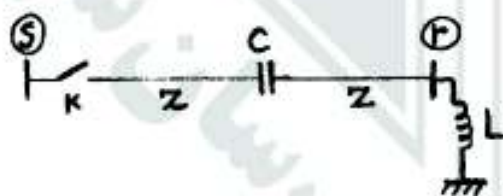
$$A = \frac{\sqrt{2}}{3} < 5^\circ, B = 100 < 50^\circ \Omega, D = \frac{\sqrt{2}}{3} < 5^\circ, C = 0.001 < 91^\circ S$$

اندازه ولتاژ خط به خط در ابتدای خط 400 kV می‌باشد. در انتهای خط، توان اکتیو 3 فاز 800 MW با ضریب قدرت 0.8 پیش از مصرف می‌شود. اگر بخواهیم ولتاژ خط به خط انتهای خط نیز 400 kV باشد، مقدار توان راکتیو مصرفی یا تولیدی که باید، به انتهای خط اضافه شود، کدام ویژگی را باید داشته باشد؟

(۱) توان راکتیو تولیدی 200 MVAR ، توان راکتیو مصرفی 200 MVAR (۲)

(۳) توان راکتیو مصرفی 600 MVAR ، توان راکتیو تولیدی 600 MVAR (۴)

۸۰- خط انتقال طویل زیر، توسط خازن سری (C) جبران شده است. همچنین جهت کاهش اثر فرانتی، راکتور (L) در انتهای خط نصب شده است. بعد از بستن کلید k یک موج سیار پله‌ای ($u_f = u_0$) در خط منتشر می‌شود. حداکثر دامنه ولتاژ در انتهای خط در لحظه رسیدن موج پله به انتهای خط (از انعکاسات از ابتدای خط صرف نظر می‌شود). چند ولت است؟



(۱) صفر

(۲) $2u_0$

(۳) u_0

(۴) $\frac{u_0}{2}$

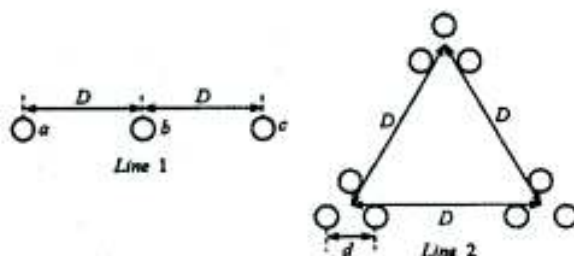
۸۱- در خطوط انتقال سه فاز ۱ و ۲، شعاع مؤثر هر هادی D_s می‌باشد. مقدار d چقدر باشد، تا اندوکتانس خطوط برابر شوند؟

$$\frac{D_s}{\sqrt{3}} \quad (1)$$

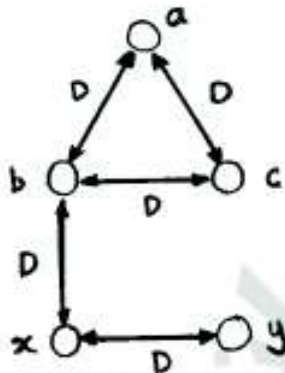
$$2D_s \quad (2)$$

$$\sqrt{2}D_s \quad (3)$$

(۴) برابری اندوکتانس این دو خط ممکن نیست.



۸۲- در پایین خط انتقال سه فاز a-b-c خط تلفن x-y قرار گرفته است. (شکل زیر) $V_x - V_y$ ناشی از القای الکترواستاتیکی خط انتقال بر خط تلفن، چند ولت است؟ قطر تمامی هادی‌ها را برابر r فرض کنید.



$$\frac{\ln\left(1 + \frac{\sqrt{r}}{r}\right)}{\ln\frac{D}{r}} (V_c - V_b) \quad (۱)$$

$$\frac{\ln\sqrt{r}}{\ln\frac{D}{r}} (V_b - V_c) \quad (۲)$$

$$\frac{\ln\sqrt{r}}{\ln\frac{D}{r}} (V_c - V_b) \quad (۳)$$

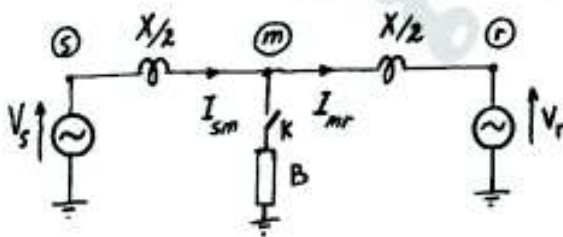
$$\frac{\ln\left(1 + \frac{\sqrt{r}}{r}\right)}{\ln\frac{D}{r}} (V_b - V_c) \quad (۴)$$

۸۳- یک خط توزیع، باری با ضریب قدرت واحد را تغذیه می‌کند. این خط دارای مقاومت R و راکتانس X است و از ظرفیت خازنی آن صرف‌نظر می‌شود. اگر ولتاژ انتهای خط برابر $\bar{V}_R = V_R \angle 0^\circ$ و ولتاژ ابتدای آن $\bar{V}_S = V_S \angle \delta$ باشد، تنظیم ولتاژ خط انتقال (V_R) برحسب δ ، کدام است؟

$$V_R = \frac{\frac{R}{X} \sin \delta - \cos \delta}{1 + \cos \delta - \frac{R}{X} \sin \delta} \quad (۱)$$

$$V_R = \frac{1 + \frac{R}{X} \sin \delta - \cos \delta}{\cos \delta - \frac{R}{X} \sin \delta} \quad (۳)$$

۸۴- در سیستم قدرت زیر، داریم: $V_S = V \angle +\frac{\delta}{\varphi}$ و $V_R = V \angle -\frac{\delta}{\varphi}$ در حالی که کلید K باز است توان انتقالی از خط برابر است با P_0 . بعد از بستن کلید K ، سوسپتانس B وارد مدار می‌شود. در این حالت توان عبوری از خط با همان زوایای ماشین‌ها برابر با P_1 است. مقدار $\frac{P_0}{P_1}$ برابر کدام گزینه است؟



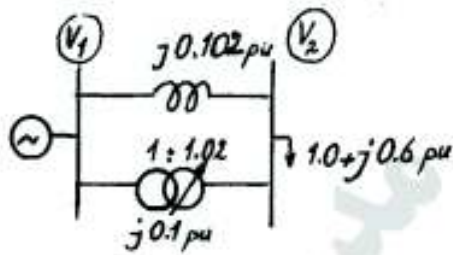
$$\left(1 - \frac{XB}{4}\right) \quad (۱)$$

$$XB \quad (۲)$$

$$\frac{XB}{4} \quad (۳)$$

$$(1 - XB) \quad (۴)$$

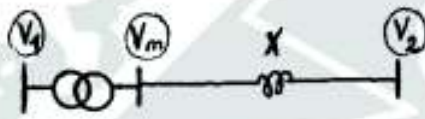
۸۵- در سیستم تغذیه بار زیر، اندازه ولتاژ V_p برابر $1.02 pu$ است. میزان توان راکتیوی که از طریق ترانسفورماتور تسب چنجر دار به بار منتقل می‌شود، چند پریونیت است؟



- (۱) ۰.۲
- (۲) ۰.۶
- (۳) ۰.۴
- (۴) ۰.۳

۸۶- در شکل زیر، ترانسفورماتور به گونه‌ای عمل می‌کند، که: $\frac{V_m}{V_1} = e^{j\alpha}$ در صورتیکه داشته باشیم:

توان عبوری از خط انتقال با راکتانس X با کدام رابطه محاسبه می‌شود؟ $V_p = V \angle -\frac{\delta}{\gamma}$, $V_1 = V \angle \frac{\delta}{\gamma}$



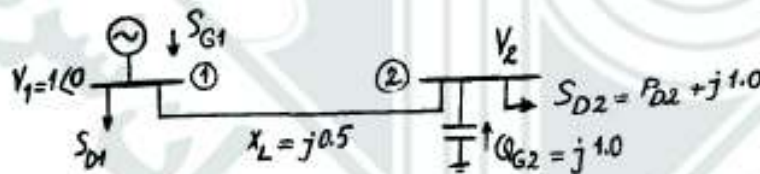
(۱) $P = \frac{V^r}{X} (\sin \delta + \sin \alpha)$

(۲) $P = \frac{V^r}{X} \sin \delta$

(۳) $P = \frac{V^r}{X} \left(\frac{\sin \delta}{\sin \alpha} \right)$

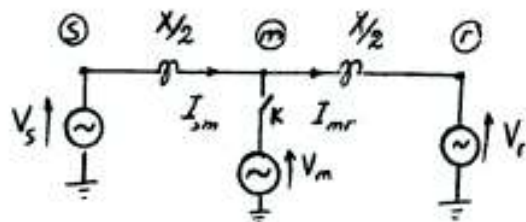
(۴) $P = \frac{V^r}{X} \sin(\delta + \alpha)$

۸۷- در مدار زیر، مقدار P_{D2} بر حسب زاویه ولتاژ شین ۲ برابر کدام است؟



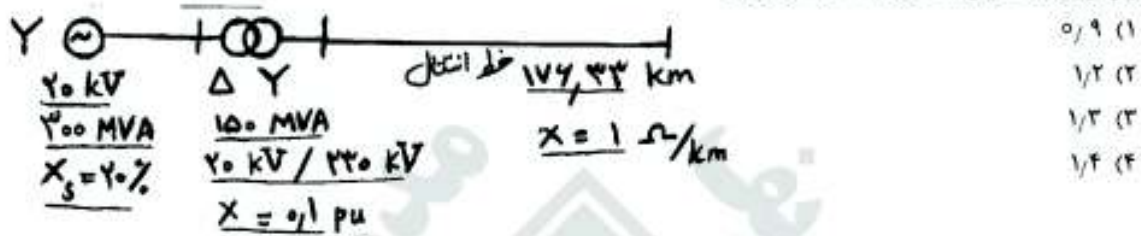
- (۱) $-\sin^2 \delta_2$
- (۲) $\cos \delta_2$
- (۳) $\sin \delta_2$
- (۴) $\sin^2 \delta_2$

۸۸- در سیستم قدرت زیر، داریم: $V_p = V_o \angle -\frac{\delta}{\gamma}$, $V_s = V \angle \frac{\delta}{\gamma}$ در زمانی که کلید K باز است، توان عبوری از خط برابر P_o بوده است. زمانی که کلید K را می‌بندیم، منبع ولتاژ V_m با دامنه V وارد مدار می‌شود. در این حالت توان عبوری از خط با همان زاویه ماشین‌ها برابر با P_1 شده است. نسبت P_1 به P_o کدام است؟

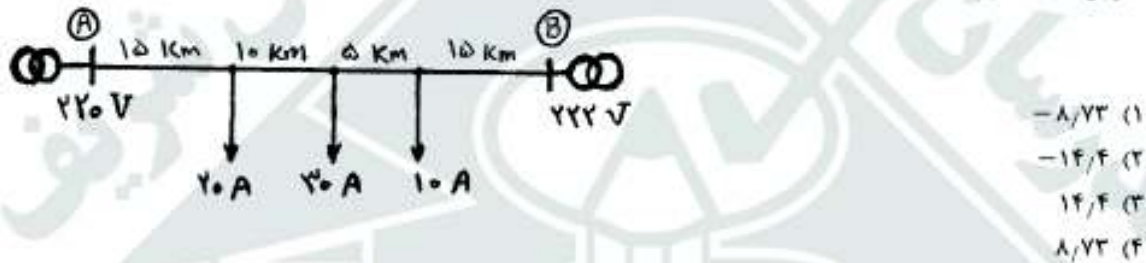


- (۱) $\sin \delta$
- (۲) $\cos \frac{\delta}{\gamma}$
- (۳) $\cos \delta$
- (۴) $\sin \frac{\delta}{\gamma}$

۸۹- در دیاگرام تک خطی شکل زیر، یک ژنراتور سنکرون از طریق یک ترانسفورماتور به یک خط انتقال بی بار متصل شده است. سیستم سه فاز متعادل است. راکتانس مدار معادل تونن به صورت پریونیتی از دید انتهای خط، کدام است؟ مقادیر نامی ژنراتور را به عنوان مقادیر مینا در نظر بگیرید.

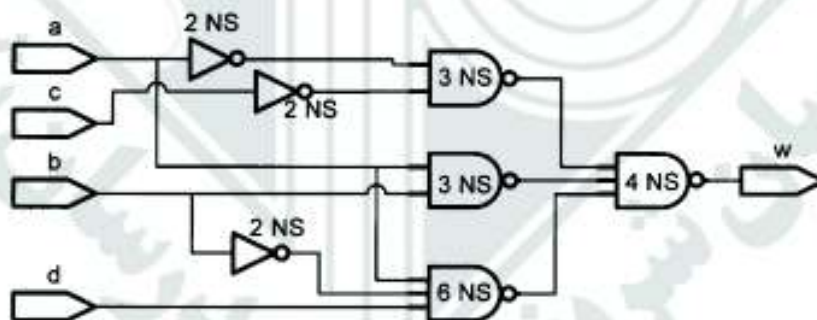


۹۰- در شکل زیر اگر جریان تزریقی از طریق پست A، i آمپر و مقاومت هر کیلومتر از خط توزیع $0,001 \Omega$ باشد، جریان عبوری A چند آمپر است؟



مدار منطقی و ریزپردازنده‌ها

۹۱- در مدار زیر کدام عبارت صحیح است؟



(۱) پنج نانو ثانیه پس از اینکه ورودی abcd از ۱۱۱۱ به ۱۰۱۱ عوض می شود، یک پالس کوتاه منفی به طول ۷ نانو ثانیه بر روی خروجی دیده می شود.

(۲) هفت نانو ثانیه پس از اینکه ورودی abcd از ۱۱۱۱ به ۱۰۱۱ عوض می شود، یک پالس کوتاه منفی به طول ۵ نانو ثانیه بر روی خروجی دیده می شود.

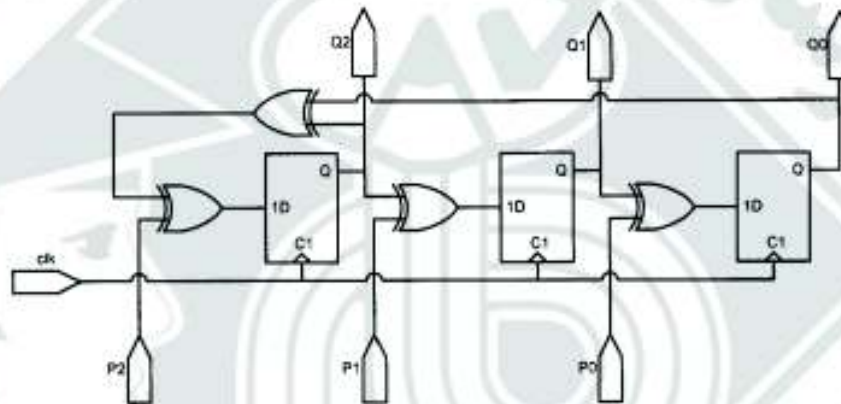
(۳) هفت نانو ثانیه پس از اینکه ورودی abcd از ۱۰۱۱ به ۱۱۱۱ عوض می شود، یک پالس کوتاه منفی به طول ۵ نانو ثانیه بر روی خروجی دیده می شود.

(۴) شش نانو ثانیه پس از اینکه ورودی abcd از ۱۱۱۱ به ۰۱۱۱ عوض می شود، یک پالس کوتاه منفی به طول ۴ نانو ثانیه بر روی خروجی دیده می شود.

$$F(a,b,c,d) = \sum_m (0, 2, 4, 5, 9, 11, 13, 15), d(10)$$

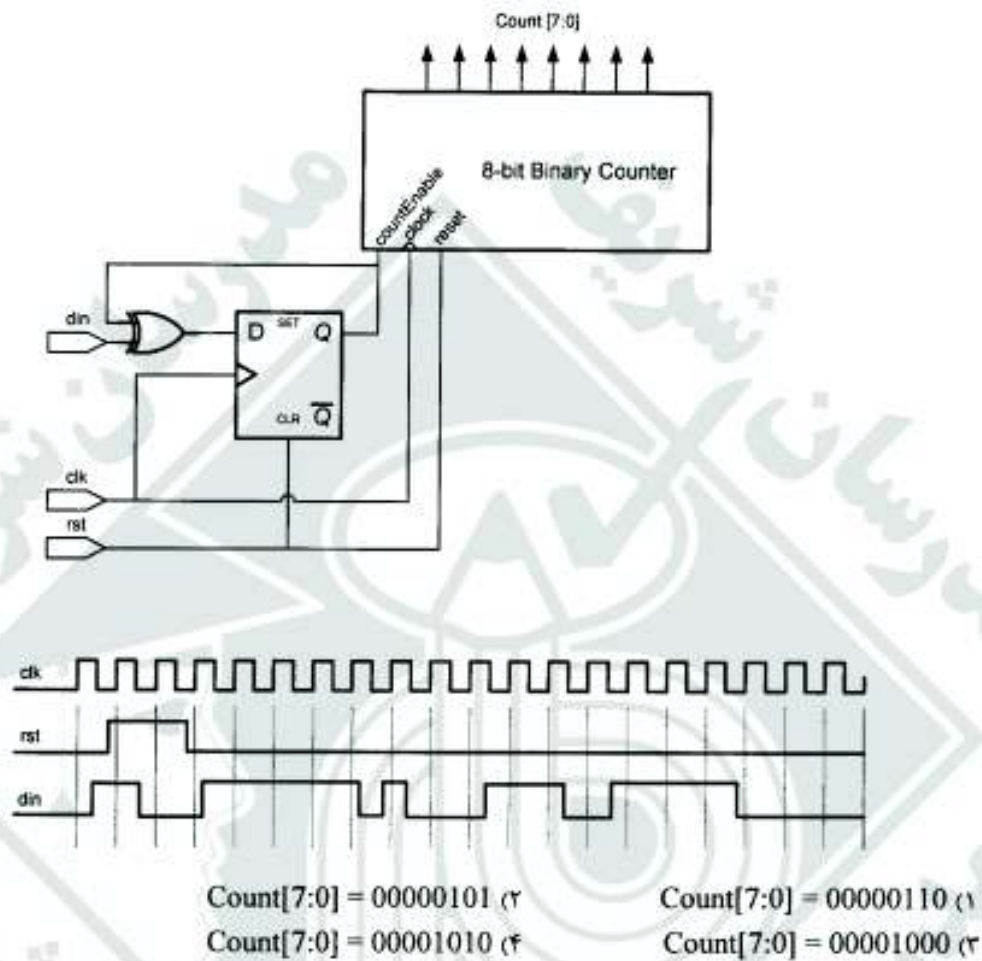
- ۱) 011X جزو Prime Implicant می باشد.
- ۲) این تابع هیچ Essential Prime Implicant ندارد.
- ۳) X11X جزو Essential Prime Implicant این فانکشن می باشد.
- ۴) تنها Essential Prime Implicant این تابع 1XX1 می باشد.

۹۳- مقدار $P[2:0]$ برابر با 001 می باشد. در صورتی که مدار زیر، از حالت های داده شده آغاز به کار کند، در سه پالس کلاک پس از آن، کدام یک از عبارت های زیر اتفاق می افتد؟

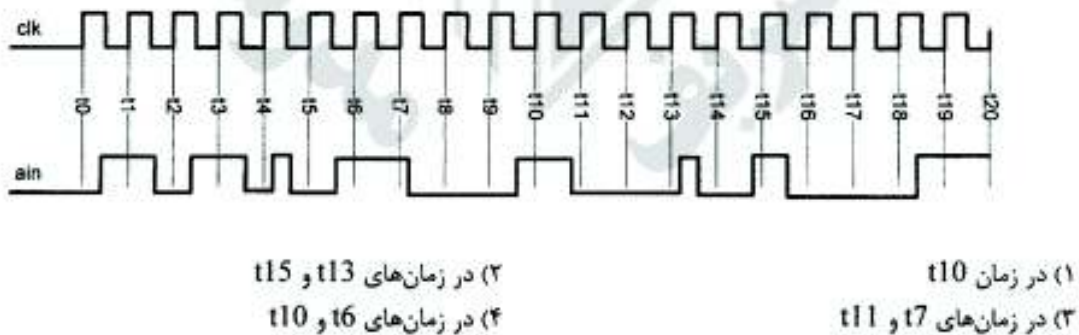


- ۱) $Q[2:0] = 011 \rightarrow 100 \rightarrow 000 \rightarrow 111$
- ۲) $Q[2:0] = 000 \rightarrow 101 \rightarrow 010 \rightarrow 001$
- ۳) $Q[2:0] = 011 \rightarrow 000 \rightarrow 100 \rightarrow 100$
- ۴) $Q[2:0] = 000 \rightarrow 001 \rightarrow 101 \rightarrow 011$

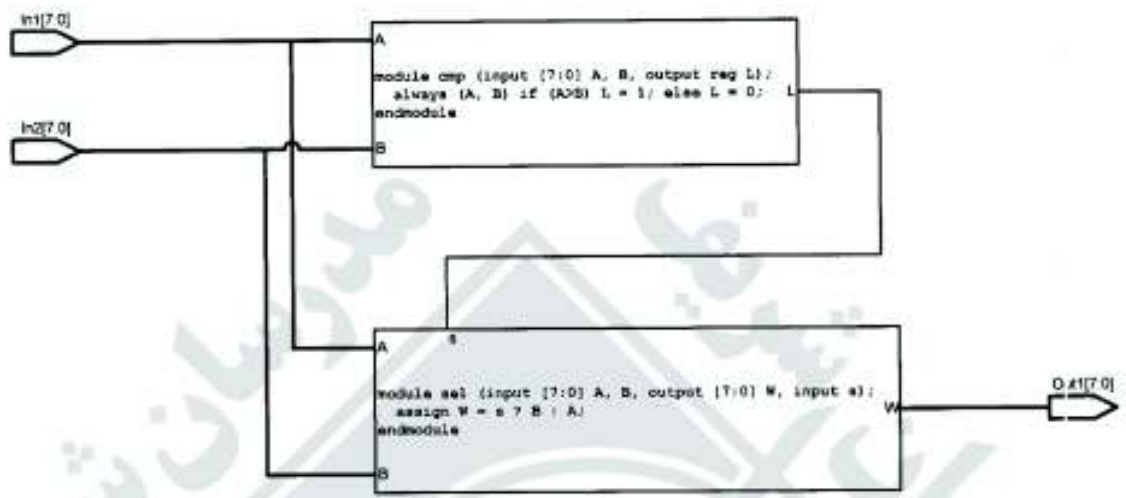
۹۴- شکل موج های داده شده به مدار زیر اعمال می شود. خروجی $Count[7:0]$ در پایان چه خواهد شد؟



۹۵- شکل موج زیر به ورودی ain یک مدار Mealy که رشته 1001 را می یابد داده شده است. در چه زمان هایی خروجی مدار یک می شود؟



۹۶- در مدار زیر $In1=10001100$ و $In2=11001101$ ، مقدار $Out1$ چه خواهد بود؟



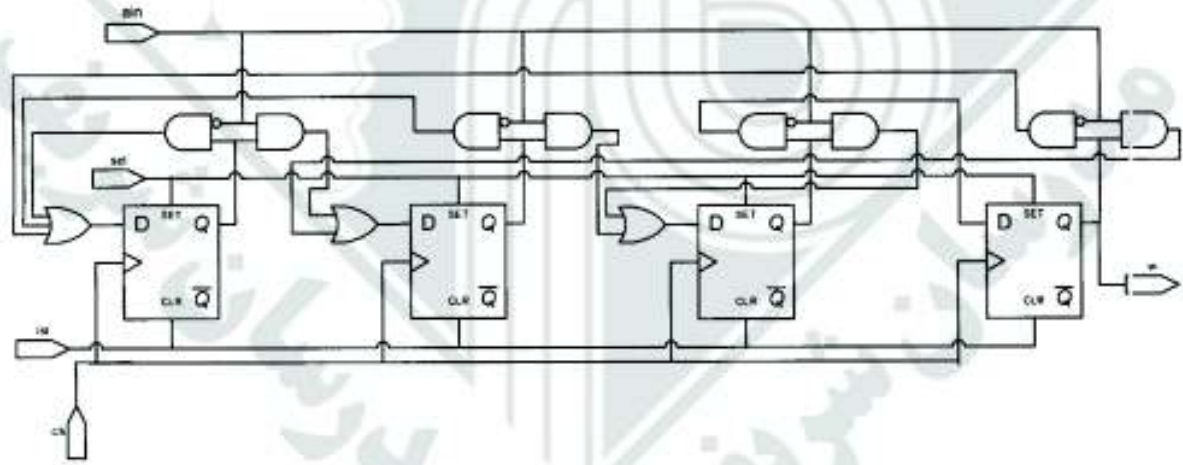
Out1=10001101 (۲)

Out1=11001101 (۱)

Out1=11001000 (۴)

Out1=10001100 (۳)

۹۷- مدار زیر کدام یک از رشته بیت‌های زیر را در ورودی ain که از چپ به راست وارد می‌شوند ردیابی کرده و خروجی w را یک می‌کند؟



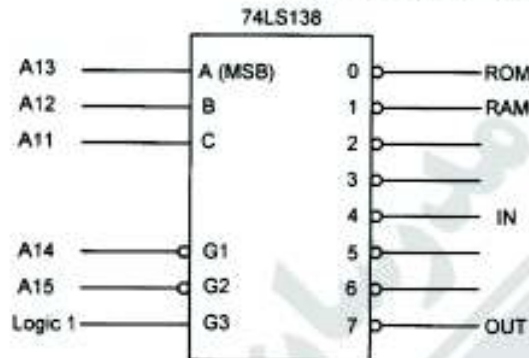
101 (۴)

110 (۳)

010 (۲)

001 (۱)

۹۸- در یک سیستم میکروپروسسوری با پالس آدرس ۱۶ بیتی (A0 تا A15) از دیکودر 74LS138 (دیکودر 3 به 8) برای آدرس دهی ROM و RAM یک کیلو بیتی و پورت های ورودی و خروجی استفاده شده است (طبق شکل). آدرس های RAM و ROM و همچنین آدرس پورت های ورودی و خروجی عبارتند از:



(۱) 0BFFH تا 0800H=RAM و 03FFH تا 0000H=ROM

پورت ورودی: 2000H و پورت خروجی: 3800H

(۲) 0FFFH تا 0800H=RAM و 01FFFH تا 0000H=ROM

پورت ورودی: 2000H و پورت خروجی: 3800H

(۳) 0FFFH تا 0C00H=RAM و 01FFH تا 0400H=ROM

پورت ورودی: 2400H و پورت خروجی: 3C00H

(۴) 13FFH تا 1000H=RAM و 0BFFH تا 0400H=ROM

پورت ورودی: 2400H و پورت خروجی: 3C00H

۹۹- اگر ۵ عدد گیت اینورتر را پشت سر هم قرار دهیم و خروجی گیت آخر را به ورودی گیت اول متصل کنیم با فرض

آنکه تاخیر انتشار گیت ۲۰ نانوثانیه باشد، چه اتفاقی خواهد افتاد؟

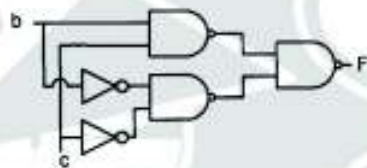
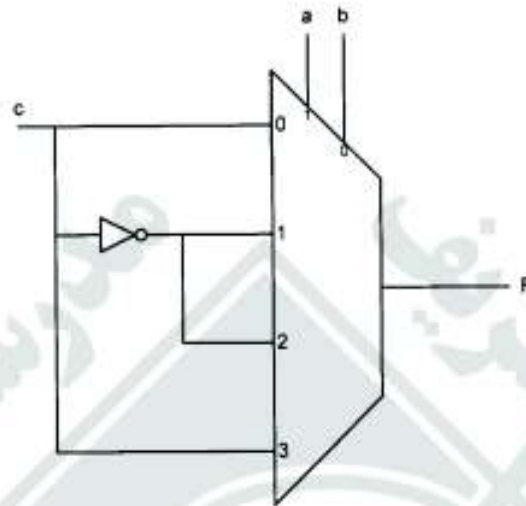
(۱) در خروجی گیت ها نوسانگر پالس با فرکانس ۵۰ مگاهرتز خواهیم داشت.

(۲) خروجی ها ثابت اند با لاجیک صفر یا ۱ و مدار به صورت latch عمل می کند.

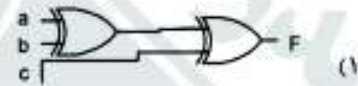
(۳) در خروجی گیت ها نوسانگر پالس با فرکانس ۲۵ مگاهرتز خواهیم داشت.

(۴) همه خروجی ها در لاجیک نامعین (وسط L و H) گیر خواهند کرد.

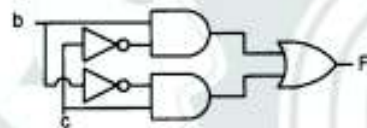
۱۰۰- کدام یک از مدارهای زیر معادل مدار نشان داده شده برای تولید خروجی تابع F است؟



(۲)



(۱)



(۴)

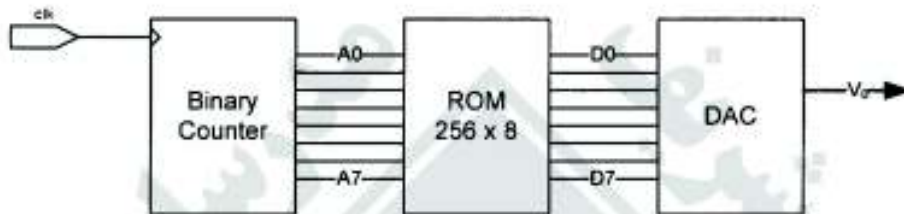


(۳)

۱۰۱- یک ریزپردازنده همه منظوره دارای گذرگاه آدرس ۲۰ بیتی و گذرگاه داده ۱۶ بیتی است. همچنین آدرس دهی IO آن به صورت Memory Mapped است. کدام یک از سیستم های زیر را میتوان با استفاده از این پردازنده طراحی نمود؟

- (۱) سیستمی که دارای حافظه 1MB RAM، حافظه 1MB ROM و ۶۴ وسیله جانبی است.
- (۲) سیستمی که دارای حافظه 2MB RAM، حافظه 512KB ROM و ۳۲ وسیله جانبی است.
- (۳) سیستمی که دارای حافظه 512KB RAM، حافظه 1MB ROM و ۲۵۶ وسیله جانبی است.
- (۴) سیستمی که دارای حافظه 1.5MB RAM، حافظه 512KB ROM و ۶۴ وسیله جانبی است.

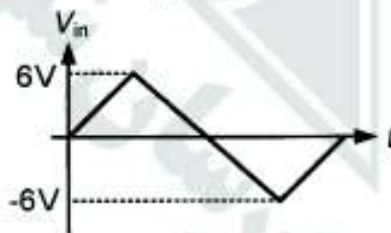
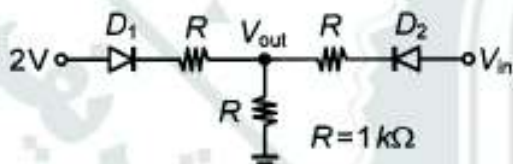
۱-۲- شکل زیر خروجی یک شمارنده دودویی ۸ بیتی را به خطوط آدرس یک ROM از نوع 256×8 متصل کرده است. در داخل ROM یک دوره تناوب یک موج سینوسی در محدوده ۱۲۷ تا ۱۲۸- مقدار دهی شده است. خروجی ROM نیز به ورودی یک میدل DAC با رابطه خروجی $V_o = KN$ که ضریب تناسب و N عدد ورودی DAC است وصل شده است. گزینه صحیح در این مورد، کدام است؟



- (۱) در داخل ROM امکان ذخیره سازی اعداد منفی وجود ندارد.
 (۲) خروجی V_o یک موج سینوسی با فرکانسی برابر با $f_{clk}/256$ می باشد.
 (۳) مقادیر حاصله از تابع سینوسی در یک دوره تناوب اعشاری بوده و نمی توان آن را در داخل ROM ذخیره سازی کرد.
 (۴) خروجی V_o یک موج سینوسی با فرکانس برابر با $f_{clk} \times 256$ می باشد.

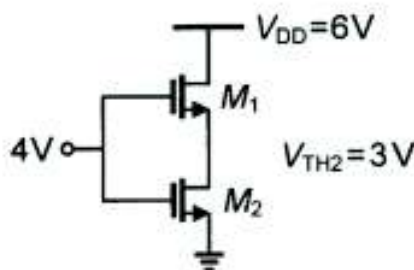
الکترونیک (۱ و ۲)

۱-۳- در مدار شکل زیر دیودها ایده آل بوده و شکل موج ورودی V_{in} داده شده است. حداقل و حداکثر مقدار ولتاژ V_{out} بر حسب ولت چه قدر است؟



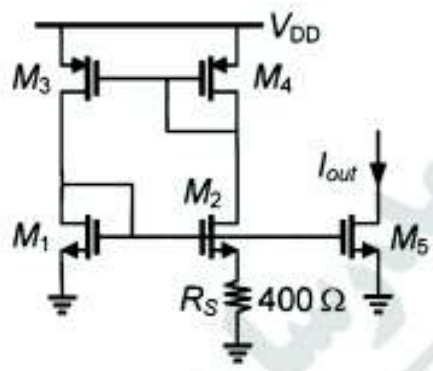
- (۱) ۴.۲
 (۲) ۳.۱
 (۳) ۳.۲
 (۴) ۴.۱

۱-۴- در مدار شکل زیر نسبت ترانزیستورهای M_1 و M_2 با هم ولتاژ ترشند ترانزیستور M_1 بر حسب ولت باید چه قدر باشد تا ترانزیستور M_2 در مرز ناحیه اشباع و خطی بایاس گردد؟



- (۱) ۴
 (۲) ۳
 (۳) $\sqrt{2}$
 (۴) ۲

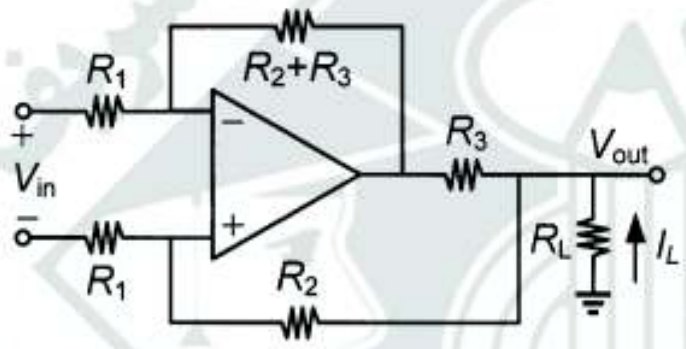
۱-۵ در مدار شکل زیر همه ترانزیستورها در ناحیه اشباع بایاس شده‌اند. مقدار جریان I_{out} چند میلی‌آمپر است؟ از اثر بدنه و مدولاسیون طول کانال ترانزیستورها صرف نظر کنید.



$(W/L)_2 = 2(W/L)_1$
 $(W/L)_3 = 2(W/L)_4$
 $(W/L)_5 = 2(W/L)_2$
 $\mu_n C_{ox} (W/L)_1 = 25 \text{ mA/V}^2$

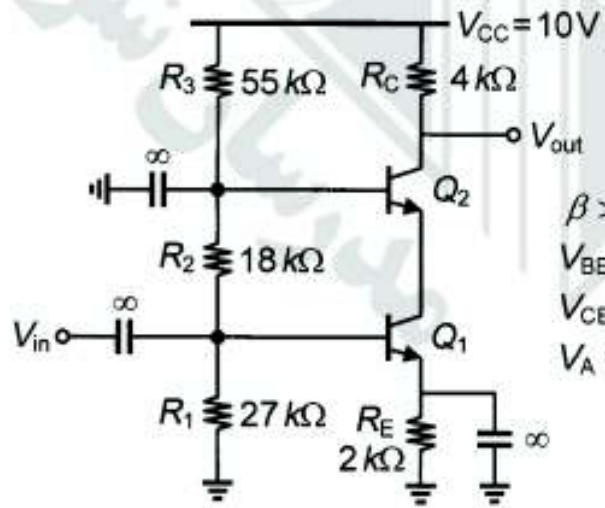
- ۱ (۱)
- ۳ (۲)
- ۲ (۳)
- ۴ (۴)

۱-۶ در مدار شکل زیر تقویت کننده عملیاتی ایده‌آل است. نسبت $\frac{I_L}{V_{in}}$ کدام است؟



- $\frac{R}{RR}$ (۱)
- $\frac{1}{R+R}$ (۲)
- $\frac{R+R}{RR}$ (۳)
- $\frac{R+R}{RR}$ (۴)

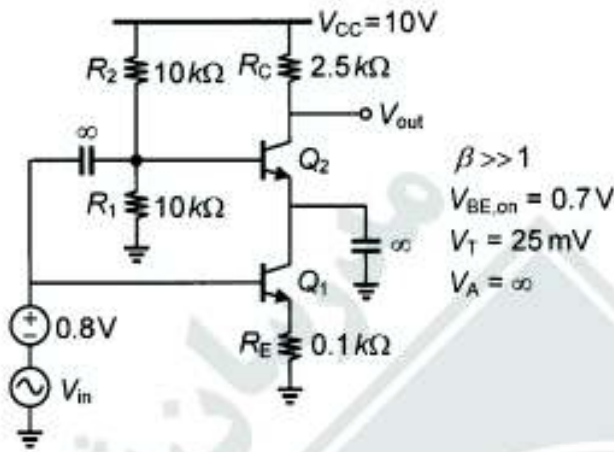
۱-۷ در مدار تقویت کننده شکل زیر حداکثر دامنه سوئیچ متقارن ولتاژ خروجی V_{out} تقریباً چند ولت است؟



$\beta \gg 1$
 $V_{BE,on} = 0.7 \text{ V}$
 $V_{CE,sat} = 0.2 \text{ V}$
 $V_A = \infty$

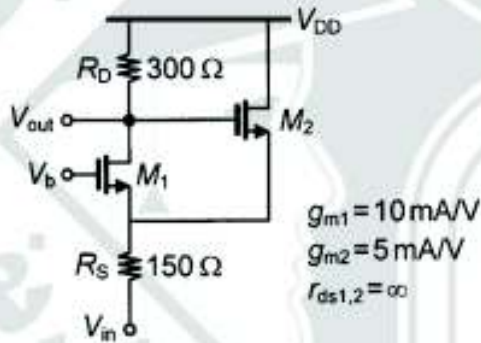
- ۲ (۱)
- ۳ (۲)
- ۴ (۳)
- ۳٫۶ (۴)

۱۰۸- مقدار بهره ولتاژ سیگنال کوچک $A_v = \left| \frac{V_{out}}{V_{in}} \right|$ مدار تقویت کننده شکل زیر چقدر است؟



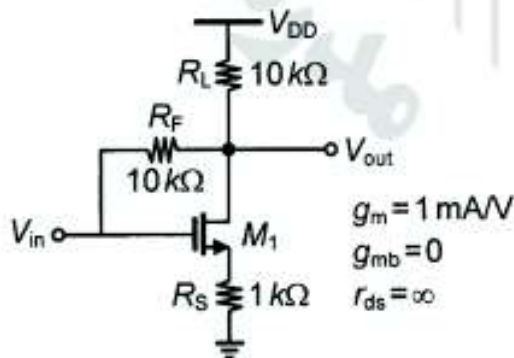
- (۱) ۲۵
(۲) ۷۵
(۳) ۵۰
(۴) ۱۰۰

۱۰۹- در مدار شکل زیر همه ترانزیستورها در ناحیه اشباع بایاس شده‌اند. مقدار بهره ولتاژ سیگنال کوچک $A_v = \frac{V_{out}}{V_{in}}$ آن برابر



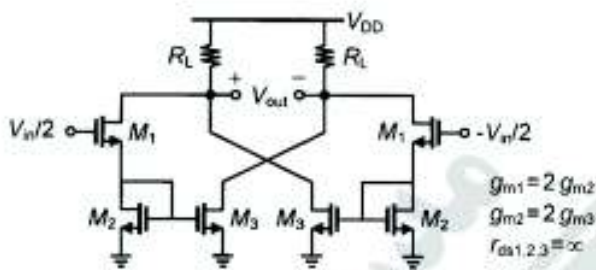
- است یا:
(۱) ۱٫۵
(۲) ۲
(۳) ۳
(۴) ۴٫۵

۱۱۰- در مدار شکل زیر ترانزیستور M_1 در ناحیه اشباع بایاس شده است. مقدار بهره ولتاژ سیگنال کوچک $A_v = \left| \frac{V_{out}}{V_{in}} \right|$ آن برابر



- است یا:
(۱) ۲
(۲) ۴
(۳) ۲٫۵
(۴) ۵

۱۱۱- در مدار شکل زیر همه ترانزیستورها در ناحیه اشباع بایاس شده‌اند. مقدار بهره ولتاژ سیگنال کوچک $A = \left| \frac{V_{out}}{V_{in}} \right|$ آن برابر



استند با:

$$\frac{1}{8} g_{m1} R_L \quad (1)$$

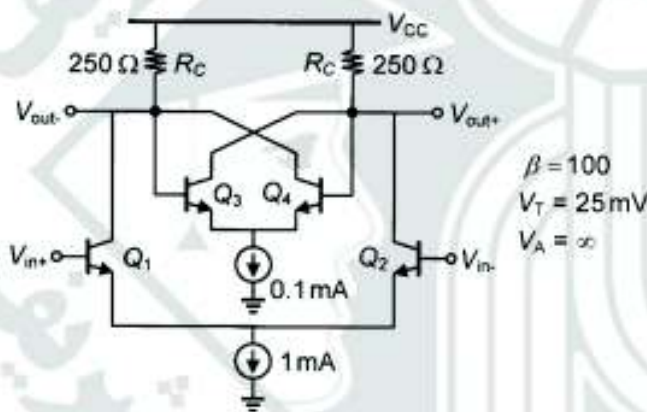
$$\frac{1}{4} g_{m1} R_L \quad (2)$$

$$\frac{1}{6} g_{m1} R_L \quad (3)$$

$$\frac{1}{2} g_{m1} R_L \quad (4)$$

۱۱۲- در مدار شکل زیر همه ترانزیستورهای متناظر با هم یکسان بوده و در ناحیه فعال بایاس شده‌اند. مقدار بهره ولتاژ تفاضلی

$$A_f = \frac{V_{out+} - V_{out-}}{V_{in+} - V_{in-}}$$



$$4,5 \quad (1)$$

$$10 \quad (2)$$

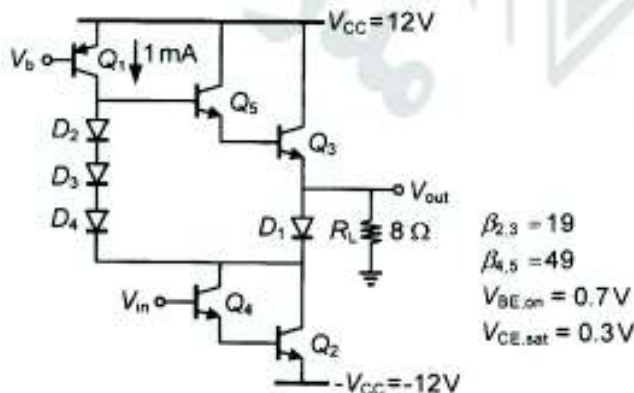
$$5,5 \quad (3)$$

$$11 \quad (4)$$

۱۱۳- در مدار شکل زیر مقدار ولتاژ بایاس V_b و DC ورودی V_{in} به نحوی تنظیم شده‌اند که مقدار جریان کلکتور ترانزیستور Q_1

برابر با ۱ میلی آمپر و ولتاژ DC خروجی برابر با صفر هستند. ماکزیمم و می‌نیم مقدار ولتاژ خروجی V_{out} بر حسب ولت برابر با

کدام گزینه است؟



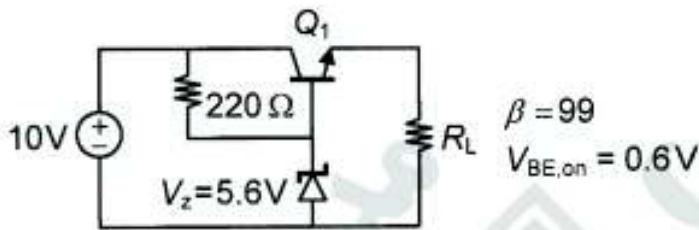
$$-8,8 \quad (1)$$

$$-8,10/3 \quad (2)$$

$$-10,3 + 10,3 \quad (3)$$

$$-10,3 + 8 \quad (4)$$

۱۱۴- در رگولاتور شکل زیر حداقل مقاومت بار برای آن که ولتاژ دو سر آن تنظیم شده باشد، بر حسب اهم چقدر است؟ دیود زتر را با ولتاژ شکست 5.6 ولت و ایده آل در نظر بگیرید.



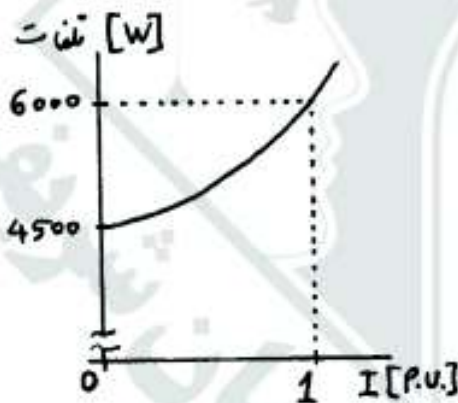
- (۱) ۲٫۵
(۲) ۲۵۰
(۳) ۲٫۱
(۴) ۳۱۰

ماشین‌های الکتریکی (۱ و ۲)

۱۱۵- در یک ترانسفورماتور تک فاز 100 kVA ، امپدانس شاخه سری بر حسب پریونیت برابر $Z = 0.1 + j0.4$ است. ضریب توان بی‌باری این ترانسفورماتور، تحت ولتاژ و فرکانس نامی برابر 0.7 است. راندمان ماکزیمم آن در بار نسبی رخ می‌دهد. جریان بی‌بار نامی ترانسفورماتور، چند درصد جریان نامی آن است؟

- (۱) ۵
(۲) ۱۰
(۳) ۷٫۵
(۴) ۱۲٫۵

۱۱۶- تغییرات تلفات یک ترانسفورماتور تک فاز به قدرت 300 kVA با جریان بار در شکل زیر داده شده است. تنظیم ولتاژ تقریبی این ترانس در یک بار خاص و ضریب قدرت 0.8 برابر صفر است. راکتانس این ترانس، کدام است؟

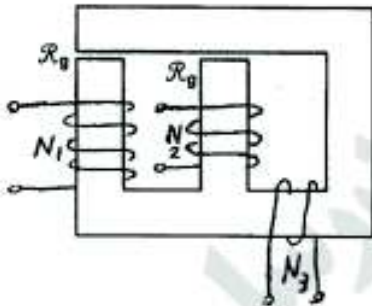


- (۱) 0.0022 pu
(۲) 0.0067 pu
(۳) 0.0050 pu
(۴) 0.00267 pu

۱۱۷- ولتاژ اعمال شده به یک ترانسفورماتور تک فاز به صورت: $V = 200 \sin \omega t + 50 \sin 2\omega t$ است. اگر جریان بی‌باری ترانسفورماتور به صورت: $i = 0.4 \sin(\omega t - 60^\circ) + 0.8 \sin(2\omega - 30^\circ)$ باشد، با چشم پوشی از مقاومت سیم پیچ اولیه، تلفات هسته ترانسفورماتور چند وات است؟

- (۱) ۱۰٫۸۶
(۲) ۳۴٫۶۴
(۳) ۲۱٫۷۳
(۴) ۴۳٫۴۶

۱۱۸- در مدار مغناطیسی زیر، هسته ایده آل بوده و مقاومت مغناطیسی هر یک از فواصل هوایی R_g فرض می شود. مقادیر $L_{۱۲}$ اندوکتانس متقابل دو سیم پیچی ۱ و ۲ و نیز $L_{۱۳}$ اندوکتانس متقابل دو سیم پیچی ۱ و ۳ بر حسب پارامترهای R_g و تعداد دور سیم پیچی ها برابر کدام است؟



$$L_{۱۲} = \frac{N_1 N_2}{2R_g}, L_{۱۲} = \frac{N_1 N_2}{2R_g} \quad (۱)$$

$$L_{۱۲} = \frac{N_1 N_2}{2R_g}, L_{۱۲} = 0 \quad (۲)$$

$$L_{۱۲} = \frac{N_1 N_2}{R_g}, L_{۱۲} = \frac{N_1 N_2}{R_g} \quad (۳)$$

$$L_{۱۲} = \frac{N_1 N_2}{R_g}, L_{۱۲} = 0 \quad (۴)$$

۱۱۹- انرژی یک مبدل الکترومکانیکی فرضی بر حسب فلوی پیوندی λ و تغییر مکان x به صورت $W_f(\lambda, x) = \frac{\lambda^2}{\mu_0(1-x)}$ است.

اندازه های λ و نیرو در حالتی که $i = 2A$ و $x = 0.02m$ باشد، کدام است؟

(۱) 0.141 وبر - دور و 1.76 نیوتن

(۲) 1.41 وبر - دور و 3.52 نیوتن

(۳) 0.282 وبر - دور و 1.76 نیوتن

(۴) 0.282 وبر - دور و 3.52 نیوتن

۱۲۰- یک ژنراتور تحریک جداگانه در حالت بی بار با سرعت n_0 چرخانده می شود و نیروی محرکه آن E_0 است. مقاومت میدان طوری تنظیم شده است که جریان میدان ۲ آمپر باشد. اگر جریان میدان به $2A$ و سرعت به $1.5n_0$ افزایش داده شود، نیروی محرکه تولید شده چند برابر E_0 می شود؟ نقاطی از مشخصه مغناطیسی ماشین در یک سرعت غیر مشخص به صورت جدول مقابل است.

I_{sh}	E_g
۰	۱۰
۱	۵۰
۲	۹۰
۳	۱۲۰
۴	۱۴۰

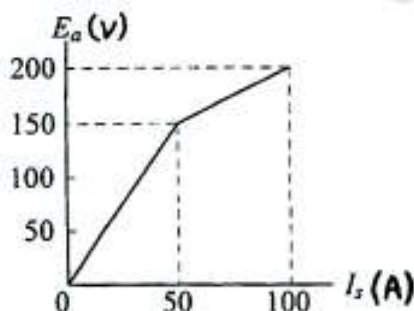
(۱) $1/5$

(۲) $2/25$

(۳) ۲

(۴) تغییر نمی کند.

۱۲۱- یک موتور سری با مشخصه مغناطیسی شکل زیر مفروض است. وقتی که موتور در بار کامل کار می کند، جریان آرمیچر 40 آمپر و گشتاور تولید شده 24 نیوتن - متر است. جریان راه اندازی موتور 100 آمپر است. گشتاور راه اندازی موتور چند نیوتن - متر است؟ از عکس العمل آرمیچر چشم پوشی می شود.



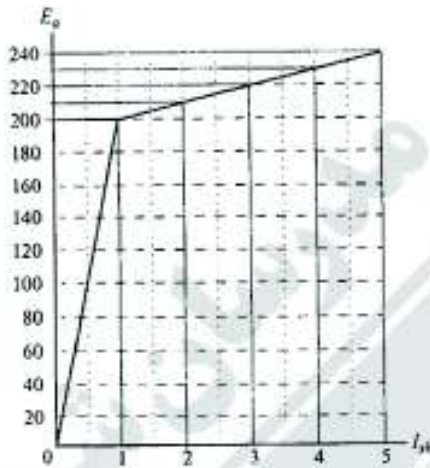
(۱) ۶۰

(۲) ۶۷

(۳) ۱۰۰

(۴) ۱۵۰

۱۲۲- مشخصه بی‌باری یک موتور DC شنت در سرعت 1800 rpm داده شده است. این موتور با ولتاژ 120 V تغذیه می‌شود. مقاومت میدان شنت چند اهم باشد، تا موتور با جریان آرمیچر 75 A و سرعت 1000 rpm کار کند. مقاومت آرمیچر 0.7Ω اهم است و عکس‌العمل آرمیچر فلوی میدان را به اندازه 10% کاهش می‌دهد.



- (۱) $18/46$
 (۲) $39/23$
 (۳) $34/28$
 (۴) $64/28$

۱۲۳- یک موتور DC شنت 200 V ، 12 A و 1940 rpm دارای مقاومت آرمیچر 0.5Ω اهم است. اگر ولتاژ اعمال شده به موتور به 150 V کاهش داده شود، سرعت چند دور بر دقیقه خواهد شد؟ گشتاور بار ثابت می‌ماند و مدار مغناطیسی ماشین خطی فرض می‌شود.

- (۱) $1893/3$
 (۲) 1940
 (۳) $1983/9$
 (۴) 1065

۱۲۴- یک موتور القایی چهار قطبی با روتور سیم‌پیچی شده مفروض است. ولتاژ دو سر هر فاز روتور در حالت سکون برابر 90 V ولت است. اگر روتور در جهت عکس میدان دوار با سرعت 720 r.p.m چرخانده شود. ولتاژ القا شده در هر فاز روتور چند ولت خواهد شد؟ فرکانس ولتاژ استاتور 60 Hz است.

- (۱) 54
 (۲) 72
 (۳) 108
 (۴) 126

۱۲۵- در یک موتور القایی سه فاز، تلفات اهمی روتور در گشتاور ماکزیمم 4 برابر تلفات اهمی روتور در گشتاور بار کامل است. در این موتور، گشتاور ماکزیمم چند برابر گشتاور نامی است؟ از امیدانس استاتور صرف‌نظر کنید.

- (۱) $\frac{1}{\sqrt{7}}$
 (۲) $\frac{4}{\sqrt{7}}$
 (۳) $\frac{2}{\sqrt{7}}$
 (۴) $\frac{6}{\sqrt{7}}$

۱۲۶- سه موتور القایی از هر لحاظ مشابه‌اند و فقط مقاومت روتورهای آن‌ها متفاوت است. این سه موتور از یک منبع تغذیه می‌شوند. مشخصه‌های $T(n)$ بارهای هر سه موتور نیز مشابه‌اند. با کاهش ولتاژ تغذیه، سرعت موتورها به تدریج کاسته می‌شود، تا به ازای یک ولتاژ خاص هر سه موتور هم زمان از حالت پایدار خارج شده و به حالت سکون سوق داده می‌شوند. مشخصه بار این موتورها به کدام صورت است؟ n سرعت چرخش است.

- (۱) $T_{\text{load}} = an^2 + c$
 (۲) $T_{\text{load}} = c$
 (۳) $T_{\text{load}} = bn + c$
 (۴) $T_{\text{load}} = an^2 + bn + c$

۱۲۷- صفحه $z=0$ شامل بار سطحی غیر یکنواخت $\rho_s = ay^2 \left(\frac{C}{m}\right)$ می‌باشد. کل باری که در کره‌ای به شعاع یک متر و به مرکز $(0,0,0)$ واقع شده، کدام است؟

$$Q = \frac{3\pi a}{22} \quad (2)$$

$$Q = \frac{9\pi a}{22} \quad (1)$$

$$Q = \frac{9\pi a}{64} \quad (4)$$

$$Q = \frac{2\pi a}{64} \quad (3)$$

۱۲۸- بارهای نقطه‌ای مثبت Q_i در نقاط $(0,0,z_i)$ قرار گرفته‌اند. با فرض $Q_i = \frac{1}{r_i^i} (C)$ و $z_i = r_i^i (m)$ ، $i = 0, 1, 2, \dots$. مقدار پتانسیل در مبدأ مختصات کدام است؟ فرض کنید پتانسیل در بی‌نهایت برابر صفر باشد.

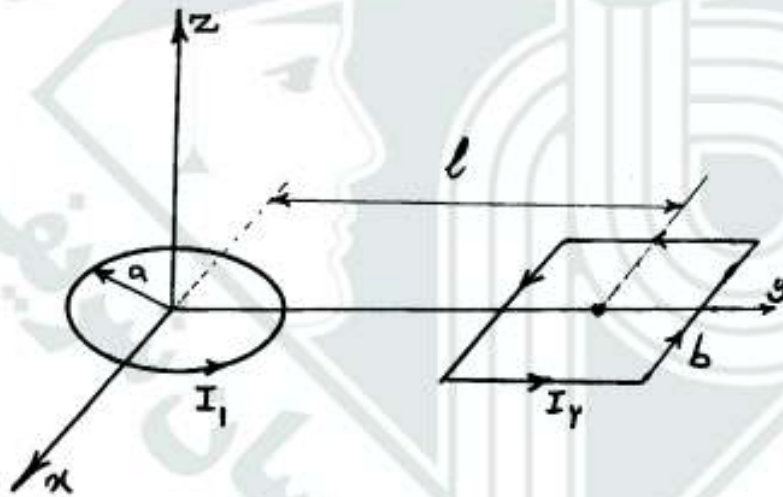
$$V = \frac{9}{16\pi\epsilon_0} \quad (2)$$

$$V = \frac{3}{16\pi\epsilon_0} \quad (1)$$

$$V = \frac{3}{22\pi\epsilon_0} \quad (4)$$

$$V = \frac{9}{22\pi\epsilon_0} \quad (3)$$

۱۲۹- در شکل زیر، در یک حلقه دایره‌ای کوچک به شعاع a جریان I_1 جاری است؛ و حلقه مربعی کوچک به ضلع b با جریان I_2 در فاصله ℓ از آن قرار دارد؛ به طوری که $a, b \ll \ell$ هستند و می‌توان میدان‌های حلقه‌ها را روی یکدیگر ثابت فرض نمود. گشتاور مغناطیسی وارد بر حلقه مربعی، کدام است؟



$$-\frac{\mu_0 \pi a^2 b^2 I_1 I_2}{4\ell^2} \hat{a}_x \quad (1)$$

$$-\frac{\mu_0 a^2 b^2 I_1 I_2}{4\ell^2} \hat{a}_x \quad (2)$$

$$-\frac{\mu_0 \pi a^2 b^2 I_1 I_2}{2\ell^2} \hat{a}_x \quad (3)$$

$$-\frac{\mu_0 \pi a^2 b^2 I_1 I_2}{2\ell} \hat{a}_x \quad (4)$$

۱۳۰- بین دو پوسته کروی رسانا ($a < r < b$) از ماده‌ای با رسانایی $\sigma(r) = \frac{\sigma_0}{r^2}$ پر شده است، که در آن شعاع دستگاه کروی و a و b مقادیر ثابتی هستند. اگر سطح $r = a$ در پتانسیل صفر و سطح $r = b$ در پتانسیل V_0 باشد، چگالی جریان در این ناحیه کدام است؟

$$\vec{j} = \frac{-\sigma_0 V_0}{r \ln\left(\frac{b}{a}\right)} \hat{a}_r \quad (2)$$

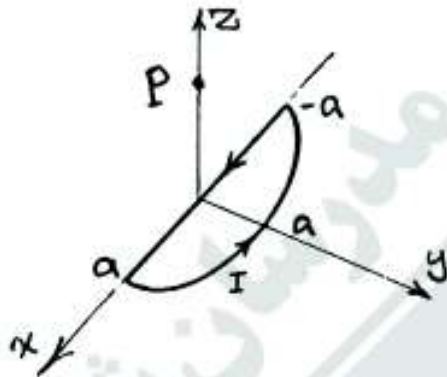
$$\vec{j} = \frac{-\sigma_0 V_0}{r^2 (b-a)} \hat{a}_r \quad (1)$$

$$\vec{j} = \frac{-\sigma_0 V_0}{r(b-a)} \hat{a}_r \quad (4)$$

$$\vec{j} = \frac{-\sigma_0 V_0}{r^2 \ln\left(\frac{b}{a}\right)} \hat{a}_r \quad (3)$$

۱۳۱- حلقه جریانی شامل یک نیم دایره به مرکز مبدأ مختصات و شعاع a و یک پاره خط به طول $2a$ هر دو، روی صفحه xy مطابق

شکل زیر داده شده است. اگر بدانیم $\int \frac{d\alpha}{\cos \alpha} = \ln\left(\frac{1 + \sin \alpha}{\cos \alpha}\right)$ است؛ پتانسیل مغناطیسی برداری در نقطه $P(0, 0, a)$ کدام است؟



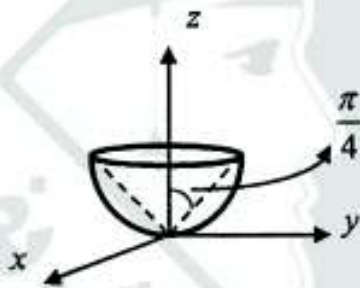
$$\frac{\mu_0 I}{4\pi} \left[2 \ln \frac{r + \sqrt{r^2 + a^2}}{a} + \sqrt{r^2 + a^2} \right] \hat{a}_x \quad (1)$$

$$\frac{\mu_0 I}{4\pi} \left[\ln \frac{r + \sqrt{r^2 + a^2}}{r - \sqrt{r^2 + a^2}} - \sqrt{r^2 + a^2} \right] \hat{a}_x \quad (2)$$

$$\frac{\mu_0 I}{4\pi} \left[\ln \frac{r + \sqrt{r^2 + a^2}}{a} - \sqrt{r^2 + a^2} \right] \hat{a}_x \quad (3)$$

$$\frac{\mu_0 I}{4\pi} \left[\ln \frac{r + \sqrt{r^2 + a^2}}{r - \sqrt{r^2 + a^2}} + \sqrt{r^2 + a^2} \right] \hat{a}_x \quad (4)$$

۱۳۲- مطابق شکل زیر، حفره‌ای به شکل مخروط با زاویه بازشدگی $\frac{\pi}{4}$ از نیم کره‌ای با چگالی حجمی یکنواخت ρ_0 از بار الکتریکی، به شعاع a و مرکز منطبق بر $z = a$ خارج شده است. میدان الکتریکی در مبدأ مختصات برابر کدام است؟



$$-\frac{\rho_0 a}{12\epsilon_0} \hat{a}_z \quad (1)$$

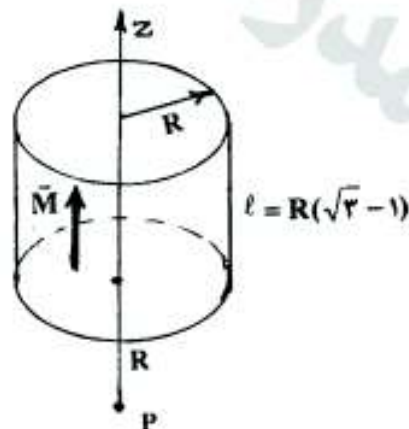
$$-\frac{\rho_0 a}{8\epsilon_0} \hat{a}_z \quad (2)$$

$$-\frac{\rho_0 a \sqrt{2}}{12\epsilon_0} \hat{a}_z \quad (3)$$

$$-\frac{\rho_0 a \sqrt{2}}{8\epsilon_0} \hat{a}_z \quad (4)$$

۱۳۳- یک استوانه به شعاع R و طول $l = R(\sqrt{3} - 1)$ از جنس ماده مغناطیسی با Magnetization یکنواخت $\vec{M} = M_0 \hat{a}_z$

مطابق شکل زیر وجود دارد. مقدار \vec{B} (بردار اندکسیون مغناطیسی) در نقطه P روی محور استوانه به اندازه R پایین‌تر از آن، چقدر است؟



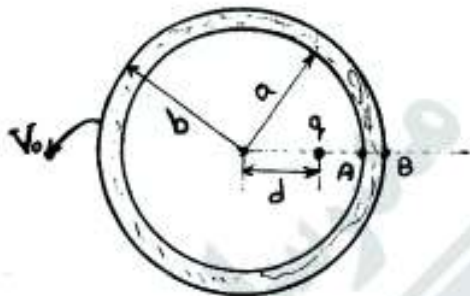
$$B_z = \frac{\mu_0 M_0}{4} (\sqrt{3} - \sqrt{2}) \quad (1)$$

$$B_z = \frac{\mu_0 M_0}{4} (\sqrt{3} + \sqrt{2}) \quad (2)$$

$$B_z = \frac{\mu_0 M_0}{2} (\sqrt{3} - 1) \quad (3)$$

$$B_z = \frac{\mu_0 M_0}{2} (\sqrt{3} + 1) \quad (4)$$

۱۳۴- یک پوسته‌ی رسانای کروی به شعاع داخلی a و خارجی b ، مطابق شکل، در پتانسیل V_0 نگهداشته شده است. بار نقطه‌ای q در ناصه d ($d < a$) از مرکز پوسته‌های کروی واقع است. چگالی بار سطحی در نقاط A و B به ترتیب کدام است؟



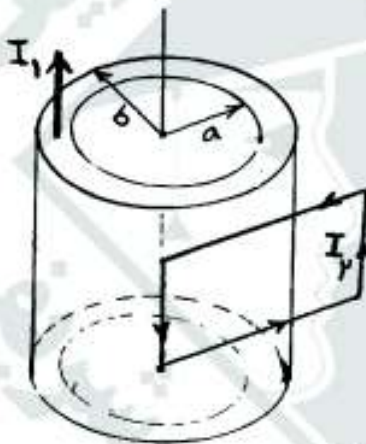
$$\frac{\epsilon_0 V_0}{a+b}, \frac{-q}{4\pi a(a-d)} \quad (1)$$

$$\frac{\epsilon_0 V_0}{a+b}, \frac{-q}{4\pi b(b-d)} \quad (2)$$

$$\frac{\epsilon_0 V_0}{a+b}, \frac{-q(b+d)}{4\pi b(b-d)^2} \quad (3)$$

$$\frac{\epsilon_0 V_0}{b}, \frac{-q(a+d)}{4\pi a(a-d)^2} \quad (4)$$

۱۳۵- در ناحیه استوانه‌ای بی‌نهایت طول $a < r < b$ و $0 \leq \phi \leq 2\pi$ ، جریان I_1 با توزیع یکنواخت در جهت موازی محور z مطابق شکل جاری است. در حلقه‌ی مربعی به ضلع $2b$ جریان I_2 جاری است؛ و یک ضلع مربع روی محور استوانه قرار دارد. تیرگی وارد بر این قاب مربعی کدام است؟



$$\frac{I_1 I_2}{2\pi b} \quad (1)$$

$$\frac{I_1 I_2}{2\pi} \quad (2)$$

$$\frac{I_1 I_2}{\pi b} \quad (3)$$

$$\frac{I_1 I_2}{4\pi b} \quad (4)$$

۱۳۶- در مختصات کروی، چگالی جریان الکتریکی به صورت زیر در یک محیط هادی مفروض است:

$$\vec{J} = \frac{1}{r^2 \sin \theta} \hat{a}_r - \frac{1}{r^2} \hat{a}_\phi \left(\frac{A}{m^2} \right)$$

کل جریانی که در جهت \hat{a}_z از یک دیسک دایره‌ای به شعاع R به مرکز محور z و مستقر در $z = h$ می‌گذرد، کدام است؟ فرض کنید $h \gg R$ باشد.

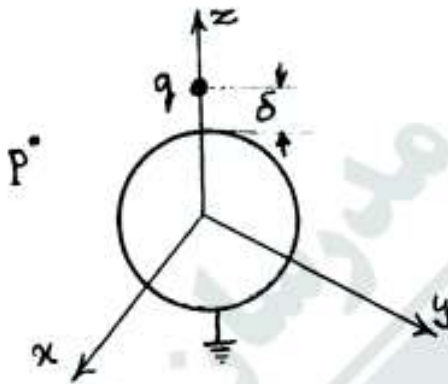
$$I = \frac{4\pi R^2}{h^2} \quad (2)$$

$$I = \frac{2\pi R}{h} \quad (1)$$

$$I = \frac{4\pi R}{h} \quad (4)$$

$$I = \frac{2\pi R^2}{h^2} \quad (3)$$

۱۳۷- مطابق شکل، بار نقطه‌ای q در فاصله ناچیز δ بالای یک کره هادی به شعاع a زمین شده، قرار دارد. با فرض اینکه $a \ll 1m$ ، $\delta \ll a$ باشد. میدان الکتریکی در نقطه P با مختصات $\theta = 60^\circ$ ، $\phi = 0$ ، $r = 1m$ کدام است؟



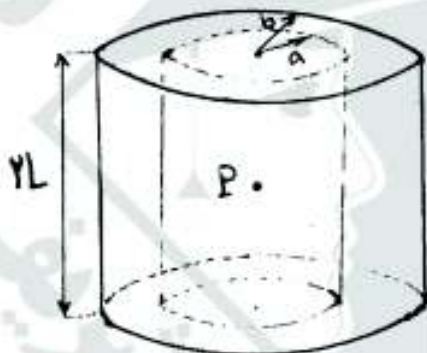
$$\frac{q\delta}{4\pi\epsilon_0} [r\sqrt{r}\hat{a}_x + (r-\sqrt{r})\hat{a}_z] \quad (1)$$

$$\frac{q\delta}{4\pi\epsilon_0} [r\sqrt{r}\hat{a}_x - \hat{a}_z] \quad (2)$$

$$\frac{q\delta}{16\pi\epsilon_0} [r\sqrt{r}\hat{a}_x + (r-\sqrt{r})\hat{a}_z] \quad (3)$$

$$\frac{q\delta}{16\pi\epsilon_0} [(r\sqrt{r}+1)\hat{a}_x + (\sqrt{r}-b)\hat{a}_z] \quad (4)$$

۱۳۸- یک پوسته استوانه‌ای از ماده مغناطیسی به طول $2L$ و شعاع‌های داخلی و خارجی a و b دارای بردار مغناطیس شدگی غیر یکنواخت $\vec{M} = M_0 \sin^2 \phi \hat{a}_z$ داده شده است. شدت میدان مغناطیسی \vec{H} در نقطه P واقع در مرکز جسم کدام است؟



$$M_0 L \left(\frac{1}{\sqrt{b^2 + L^2}} - \frac{1}{\sqrt{a^2 + L^2}} \right) \hat{a}_z \quad (1)$$

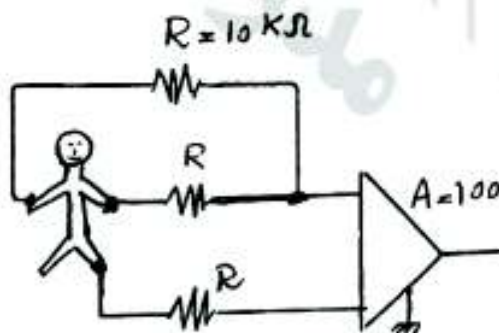
$$\frac{M_0 L}{4} \left(\frac{1}{\sqrt{b^2 + L^2}} - \frac{1}{\sqrt{a^2 + L^2}} \right) \hat{a}_z \quad (2)$$

$$\frac{M_0 L}{2} \left(\frac{1}{\sqrt{b^2 + L^2}} - \frac{1}{\sqrt{a^2 + L^2}} \right) \hat{a}_z \quad (3)$$

$$\frac{M_0 L}{8} \left(\frac{1}{\sqrt{b^2 + L^2}} - \frac{1}{\sqrt{a^2 + L^2}} \right) \hat{a}_z \quad (4)$$

مقدمه‌ای بر مهندسی پزشکی

۱۳۹- دانشجویی برای ثبت یک انشاق از سیگنال ECG، الکترودها را مطابق شکل زیر به تقویت‌کننده‌ای با مقاومت ورودی $10 \text{ Meg}\Omega$ وصل کرده است. در صورتی که دامنه نویز برق شهر بر روی بدن برابر $1V$ باشد، دامنه این نویز در خروجی تقویت‌کننده چند میلی‌ولت است؟ (مقاومت الکترودها - بافت را کوچک فرض کنید.)



- (1) 0
(2) 5
(3) 50
(4) 100

۱۴۰- در تعادل گلدمن پتانسیل داخل غشای سلول نسبت به خارج آن وقتی که میزان عبوردهی غشا به یون‌های پتاسیم نسبت به سدیم برابر ۵/۰ است $(P_{Na} = 2P_K)$ ، برابر $V_m = -17.5\text{mV}$ می‌باشد. (گذردهی نسبت به سایر یونها صفر است.) کدام گزینه مقادیر صحیح غلظت داخل سلولی را برحسب $\frac{\text{mmol}}{\text{Lit}}$ نشان می‌دهد؟

$$\frac{KT}{q} = \frac{RT}{F} = 25\text{mV}$$

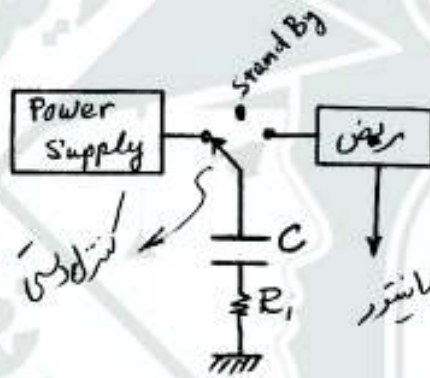
$$[K^+]_i = 2\text{mmol/Lit}$$

$$[Na^+]_i = 35 \frac{\text{mmol}}{\text{Lit}}$$

$$\text{Exp}(\phi, \gamma) = 2$$

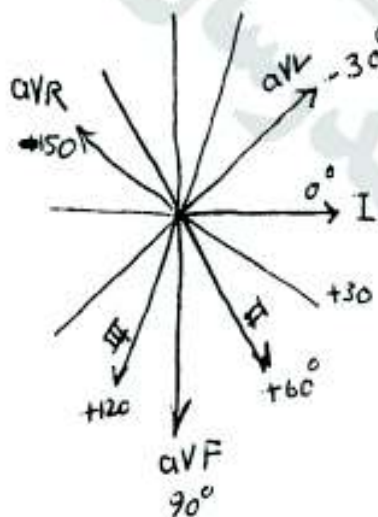
- (۱) $[Na^+]_i = 2, [K^+]_i = 30$
 (۲) $[Na^+]_i = 15, [K^+]_i = 18$
 (۳) $[Na^+]_i = 6, [K^+]_i = 36$
 (۴) $[Na^+]_i = 2, [K^+]_i = 140$

۱۴۱- برای عمل دیفیبریلاتور از مدار شکل زیر استفاده می‌شود. چنانچه عیزان خازن FmF و میزان مقاومت دستگاه $R_i = 10\Omega$ و مقاومت بدن بیمار $200k\Omega$ و ولتاژ منبع تغذیه در هر دفعه برابر $80V$ باشد، در هر بار تخلیه خازن در بدن بیمار چند ژول انرژی به بیمار وارد می‌شود؟



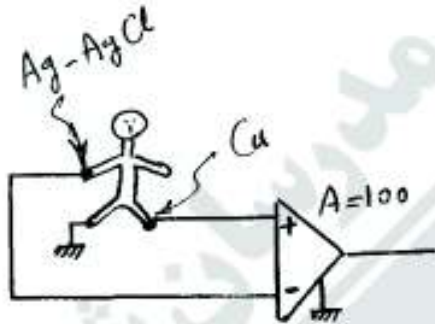
- (۱) ۱۵, ۳
 (۲) ۶, ۳
 (۳) ۱۲, ۸
 (۴) ۱۴, ۶

۱۴۲- در یک نمونه ثبت سیگنال ECG در یک لحظه خاص مقدار Lead I برابر 4mV و مقدار Lead III برابر 2mV - گزارش شده است. مقادیر Lead II و aVL در این لحظه به ترتیب، چند میلی‌ولت است؟



- (۱) ۱ و $2\sqrt{3}$
 (۲) ۳ و ۲
 (۳) ۶ و ۲
 (۴) $\sqrt{3}$ و ۳

۱۴۳- در ثبت سیگنال ECG، الکترود متصل به قطب مثبت تقویت کننده از جنس Cu با پتانسیل نیم پیل $+0,۳۳۷$ و الکترود متصل به قطب منفی تقویت کننده از جنس Ag-AgCl با پتانسیل نیم پیل $+0,۲۳۷$ است. مطابق شکل الکترود Cu به پای چپ و الکترود Ag-AgCl به بازوی راست وصل شده و از فیلتر بالا گذر استفاده نشده است. در چنین شرایطی ولتاژ لید II در بیک R به جای $0,۱۷$ چند ولت خوانده می‌شود؟ (مقاومت‌های سیم‌ها یکسان فرض می‌شود.)



$$-۱۰,۱ \quad (۱)$$

$$-۹,۹ \quad (۲)$$

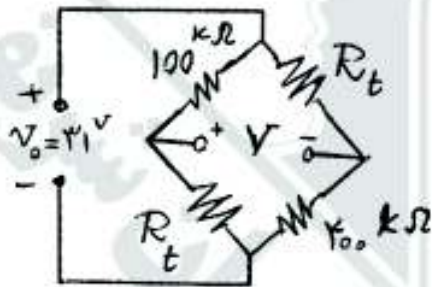
$$۹,۹ \quad (۳)$$

$$۱۰,۱ \quad (۴)$$

۱۴۴- برای سنجش دما، از یک پل به صورت شکل زیر استفاده شده است؛ که در آن R_t ها دو ترمیستور مشابه با $\beta = ۳۱۰۰^{\circ}\text{K}$

هستند اگر پل در دمای ۳۷°C در حال تعادل باشد، در این صورت حساسیت کل این دما سنج که به صورت $S = \frac{\Delta V}{\Delta T}$

تعریف می‌شود، در دمای ۳۱۰°K چقدر است؟ (ΔT کوچک فرض می‌شود.)



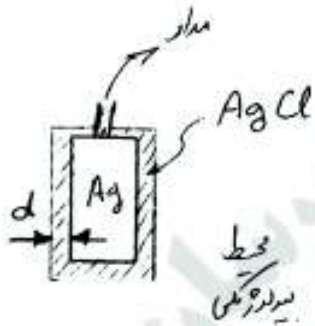
$$-\frac{4}{3} \quad (۱)$$

$$-\frac{4}{9} \quad (۲)$$

$$\frac{4}{9} \quad (۳)$$

$$\frac{4}{3} \quad (۴)$$

۱۴۵- یک، الکتروود $Ag/AgCl$ و مدل مدار الکتریکی آن در شکل زیر رسم شده است. در صورتی که مقدار DC جریان وارد شونده به محیط بیولوژیکی توسط این الکتروود مثبت باشد، در این صورت ضخامت لایه $(d)AgCl$ به تدریج شده و مقدار C_d در مدل مداری متناظر به صورت می شود.

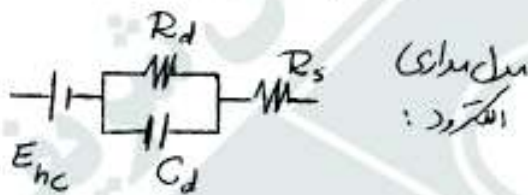


(۱) کم، غیرمتناسب با d ، کم

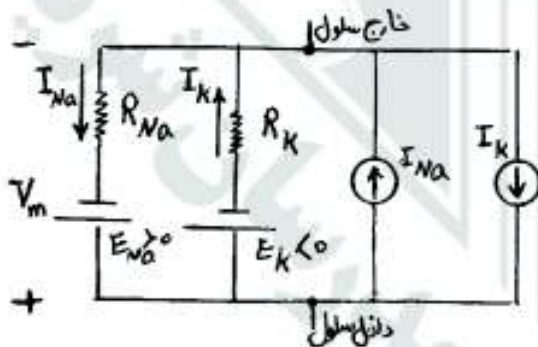
(۲) کم، متناسب با $\frac{1}{d}$ ، اضافه

(۳) اضافه، متناسب با $\frac{1}{d}$ ، کم

(۴) اضافه، غیرمتناسب با d ، اضافه



۱۴۶- مدل الکتریکی غشای سلول به صورت شکل زیر فرض می شود. پمپ سدیم - پتاسیم در مقابل خروج هر سه یون Na^+ به طور عادی ۲ یون K^+ را به سلول وارد می کند. اگر فرضاً تغییری در این پمپ ایجاد شود که با خارج کردن هر ۲ یون Na^+ فقط یک یون K^+ به سلول وارد کند، در این صورت پس از برقراری تعادل جدید، کدام حالت زیر برای پتانسیل غشاء (V_m) و پتانسیل های نرست E_{Na} و E_K لزوماً رخ می دهد؟ (نمودپذیری یون ها و شرایط خنثایی بار تغییری نکرده است.)



(۱) اختلاف مطلق V_m و E_K (یعنی $|V_m - E_K|$) افزایش می یابد.

(۲) E_{Na} کم تر شده ولی تغییرات E_K نامعلوم است.

(۳) اختلاف مطلق E_{Na} و E_K (یعنی $|E_{Na} - E_K|$) افزایش می یابد.

(۴) اختلاف V_m با E_K به نسبت اختلاف آن (V_m) با E_{Na} کاهش می یابد.

۱۴۷- برای آنالیز نحوه توزیع نیرو در کف پا هنگام راه رفتن، از یک سنسور استرین گیج با گیج فاکتور ۷٫۵ در داخل لاستیک کفی کفش استفاده شده است؛ به طوری که اگر فشار وارده به کفی کفش (واسترن گیج) برابر ۲۴ پاسکال شود، میزان تغییرات نسبی اهمی استرین گیج برابر با ۱۲٪ درصد می‌شود. در این صورت اندازه مدول یانگ ماده به کار رفته در کفی کفش (نسبت فشار به تغییرات نسبی طول) چند مگاپاسکال است؟

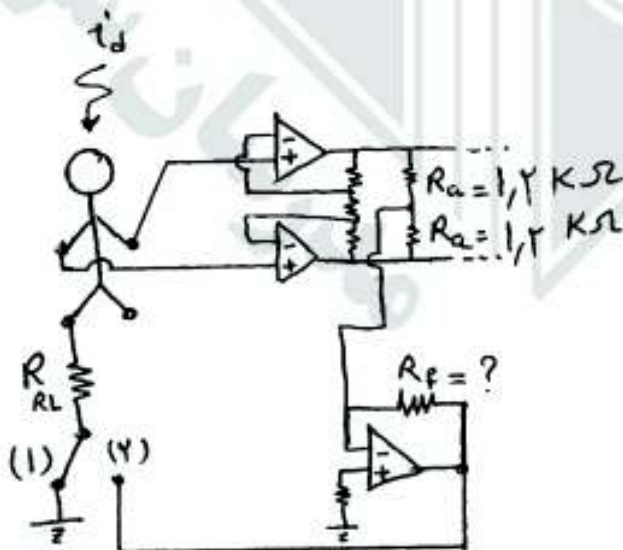
- (۱) ۱٫۵
(۲) ۰٫۵
(۳) ۲
(۴) ۳

۱۴۸- در دماسنج شکل روبه‌رو، شعاع داخلی لوله $\sqrt{3} \times 10^{-2} \text{ cm}$ حجم مخزن ۹ mlit و ضریب انبساط مایع رنگی به کار رفته $2 \times 10^{-4} \frac{\text{mlit}}{\text{mlit}^\circ\text{C}}$ می‌باشد. کدام گزینه حساسیت استاتیک این دماسنج را بر حسب $\frac{\text{mm}}{^\circ\text{C}}$ نشان می‌دهد؟ از اثرات انبساط شیشه صرف نظر کنید. ($\pi = 3$)



- (۱) ۸
(۲) ۴
(۳) ۲
(۴) ۱

۱۴۹- کدام مقدار R_f بر حسب کیلو اهم، موجب می‌شود که با تغییر موقعیت کلید از حالت (۱) به حالت (۲)، CMRR مدار ۴۱ برابر شود؟



- (۱) ۲۴
(۲) ۱۲
(۳) ۹۶
(۴) ۴۸

۱۵۰- پاسخ یک ابزار اندازه‌گیری پزشکی به ورودی پله به شکل $y(t) = 5 - 5 \exp\left(-\frac{t}{55}\right)$ داده شده است؛ که در آن t بر حسب میلی ثانیه و y بر حسب ولت است. اگر ورودی $x(t) = 2 \cos(18t)$ توسط این ابزار اندازه‌گیری شود، کدام گزینه درصد خطای اندازه‌گیری ناشی از فرکانس ورودی را با دقت بیشتری نشان می‌دهد؟ ($\pi = 3$)

- (۱) ۱۰
(۲) ۲۰
(۳) ۳۰
(۴) ۵۰



مشاهده کلید سوالات آزمون کارشناسی ارشد سال 1392

کلید سوالات آزمون کارشناسی ارشد سال 1392

گروه امتحانی	شماره پاسخنامه	نوع دفترچه	نام رشته امتحانی	کد رشته امتحانی
فنی و مهندسی	1	A	مجموعه مهندسی برق	1251

شماره سوال	گزینه صحیح	شماره سوال	گزینه صحیح	شماره سوال	گزینه صحیح	شماره سوال	گزینه صحیح	شماره سوال	گزینه صحیح
1	1	31	4	61	1	91	2	121	3
2	4	32	1	62	4	92	3	122	2
3	2	33	3	63	3	93	4	123	1
4	3	34	2	64	4	94	1	124	4
5	4	35	4	65	2	95	3	125	3
6	1	36	2	66	1	96	3	126	3
7	2	37	1	67	1	97	3	127	4
8	4	38	3	68	4	98	1	128	3
9	2	39	2	69	3	99	3	129	1
10	3	40	3	70	2	100	1	130	2
11	2	41	4	71	1	101	4	131	1
12	1	42	1	72	3	102	2	132	3
13	3	43	1	73	4	103	2	133	2
14	3	44	3	74	4	104	3	134	4
15	1	45	2	75	2	105	2	135	1
16	1	46	4	76	3	106	4	136	2
17	4	47	2	77	4	107	1	137	1
18	4	48	1	78	3	108	4	138	3
19	2	49	1	79	1	109	3	139	3
20	4	50	2	80	4	110	1	140	4
21	2	51	4	81	4	111	2	141	3
22	3	52	3	82	4	112	3	142	2
23	4	53	4	83	3	113	4	143	3
24	2	54	3	84	1	114	1	144	1
25	4	55	2	85	3	115	1	145	4
26	1	56	3	86	2	116	3	146	4
27	2	57	4	87	1	117	2	147	2
28	3	58	4	88	2	118	4	148	3
29	4	59	1	89	3	119	4	149	1
30	1	60	1	90	2	120	2	150	3

خروج