



قدم به قدم، همراه دانشجو...

WWW.GhadamYar.Com

جامع ترین و به روزترین پرتال دانشجویی کشور (پرتال دانش)
با ارائه خدمات رایگان، تحصیلی، آموزشی، رفاهی، شغلی و...
برای دانشجویان

- ۱) راهنمای ارتقاء تحصیلی. (کاردانی به کارشناسی، کارشناسی به ارشد و ارشد به دکتری)
- ۲) ارائه سوالات کنکور مقاطع مختلف سالهای گذشته، همراه پاسخ، به صورت رایگان
- ۳) معرفی روش های مقاله و پایان نامه نویسی و ارائه پکیج های آموزشی مربوطه
- ۴) معرفی منابع و کتب مرتبط با کنکورهای تحصیلی (کاردانی تا دکتری)
- ۵) معرفی آموزشگاه ها و مراکز مشاوره تحصیلی معتبر
- ۶) ارائه جزوات و منابع رایگان مرتبط با رشته های تحصیلی
- ۷) راهنمای آزمون های حقوقی به همراه دفترچه سوالات سالهای گذشته (رایگان)
- ۸) راهنمای آزمون های نظام مهندسی به همراه دفترچه سوالات سالهای گذشته (رایگان)
- ۹) آخرین اخبار دانشجویی، در همه مقاطع، از خبرگزاری های پربازدید
- ۱۰) معرفی مراکز ورزشی، تفریحی و فروشگاه های دارای تخفیف دانشجویی
- ۱۱) معرفی همایش ها، کنفرانس ها و نمایشگاه های ویژه دانشجویی
- ۱۲) ارائه اطلاعات مربوط به بورسیه و تحصیل در خارج و معرفی شرکت های معتبر مربوطه
- ۱۳) معرفی مسائل و قوانین مربوط به سربازی، معافیت تحصیلی و امریه
- ۱۴) ارائه خدمات خاص ویژه دانشجویان خارجی
- ۱۵) معرفی انواع بیمه های دانشجویی دارای تخفیف
- ۱۶) صفحه ویژه نقل و انتقالات دانشجویی
- ۱۷) صفحه ویژه ارائه شغل های پاره وقت، اخبار استخدامی
- ۱۸) معرفی خوابگاه های دانشجویی معتبر
- ۱۹) دانلود رایگان نرم افزار و اپلیکیشن های تخصصی و...
- ۲۰) ارائه راهکارهای کارآفرینی، استارت آپ و...
- ۲۱) معرفی مراکز تایپ، ترجمه، پرینت، صحافی و ... به صورت آنلاین
- ۲۲) راهنمای خرید آنلاین ارزی و معرفی شرکت های مطرح
- ۲۳)



WWW.GhadamYar.Ir

WWW.PortaleDanesh.com

WWW.GhadamYar.Org

۰۹۱۲ ۳۰ ۹۰ ۱۰۸

باما همراه باشید...

۰۹۱۲ ۰۹ ۰۳ ۸۰۱

www.GhadamYar.com

407

D



407D

نام
نام خانوادگی
محل امضاء

دفترچه شماره ۱
عصر پنجشنبه
۹۰/۱۱/۲۷



جمهوری اسلامی ایران
وزارت علوم، تحقیقات و فناوری
سازمان سنجش آموزش کشور

اگر دانشگاه اصلاح شود مملکت اصلاح می‌شود.
امام خمینی (ره)

آزمون ورودی دوره‌های کارشناسی ارشد ناپیوسته داخل - سال ۱۳۹۱

مجموعه مهندسی برق - کد ۱۲۵۱

مدت پاسخگویی: ۱۰۵ دقیقه

تعداد سؤال: ۵۴

عنوان مواد امتحانی، تعداد و شماره سؤالات

ردیف	مواد امتحانی	تعداد سؤال	از شماره	تا شماره
۱	زبان عمومی و تخصصی	۳۰	۱	۳۰
۲	ریاضیات (مادلات دیفرانسیل، ریاضیات مهندسی، آمار و احتمالات)	۱۲	۳۱	۴۲
۳	مدارهای الکتریکی ۱ و ۲	۱۲	۴۳	۵۴

بهمن ماه سال ۱۳۹۰

استفاده از ماشین حساب مجاز نمی‌باشد.

PART A: Vocabulary

Directions: Choose the word or phrase (1), (2), (3), or (4) that best completes each sentence. Then mark the correct choice on your answer sheet.

- 1- Understanding the world economic conditions, the recent graduates spoke about job prospects for the future.
1) luxuriously 2) warily 3) narrowly 4) inaudibly
- 2- The English word "family" used to all the people in the house, including servants.
1) denote 2) predict 3) participate 4) ascertain
- 3- Greg's excellent poem won the of his friends.
1) advent 2) apex 3) access 4) acclaim
- 4- Your eyes need approximately 20 to 30 minutes to darkness.
1) account for 2) take in 3) adjust to 4) rely on
- 5- Critics condemned the novelist's attempt to plagiarize Hemingway's story.
1) judicious 2) discreet 3) felicitous 4) brazen
- 6- When I had an awful sore throat, only warm tea would the pain.
1) assimilate 2) devastate 3) mitigate 4) prescribe
- 7- I have always liked your positive attitude; it has always affected our working relationship.
1) favorably 2) hastily 3) candidly 4) consciously
- 8- When the rain began to pour, the crowd at the baseball game quickly
1) annihilated 2) dispersed 3) uncovered 4) pacified
- 9- Everyone in the family enjoys seafood, so my uncle's distaste for the salmon dish was an
1) altercation 2) anomaly 3) autonomy 4) accolade
- 10- Denise for weeks before she actually decided to accept the job offer.
1) squandered 2) regretted 3) precluded 4) vacillated

PART B: Cloze Test

Directions: Read the following passage and decide which choice (1), (2), (3), or (4) best fits each space. Then mark the correct choice on your answer sheet.

Later moralists, however—for instance, the 18th- and 19th-century British utilitarians Jeremy Bentham and John Stuart Mill—defined happiness (11) pleasure and the absence of pain. Others, still (12) happiness as a state of mind, have tried to distinguish it from pleasure on (13) that it is mental, not bodily; enduring, not transitory; (14) rational, not emotional. But these distinctions are open to question. A temporal dimension was added to eudaemonism in ancient times by Solon, who said, "Call no man happy till he is dead," (15) that happiness and its opposite pertain, in their broadest sense, to the full course of one's life. Contemporary moralists have tended to avoid the term.

- 11- 1) such as 2) like 3) for example 4) as
- 12- 1) regarding 2) have regarded 3) regard 4) who regards
- 13- 1) the ground 2) the grounds 3) a ground 4) grounds
- 14- 1) but 2) neither 3) and 4) then
- 15- 1) and suggesting 2) who suggested 3) suggesting 4) by suggesting



PART C: Reading Comprehension

Directions: Read the following four passages and choose the best choice (1), (2), (3), or (4). Then mark it on your answer sheet.

PASSAGE 1:

There are many invaluable books available on machine learning. Machine learning is a branch of artificial intelligence (AI) that grew out of such diverse disciplines as traditional computer science, linguistics, cognitive science and psychology. Although the philosophical roots of the subject may be traced back to Leibniz and even ancient Greece, the modern era begins with the work of Norbert Wiener, the father of Cybernetics, a term that he introduced in "Control and Communication in the Animal and the Machine" (1948). However, it was not until 1955 that 'The Logic Theorist', generally accepted as the first AI program, was presented by Newell and Simon. In this ground-breaking work, they proved that computers were more than just calculating machines, thus shepherding in the era of the computational model of the mind.

In Turing's 1950 seminal work 'Computing Machinery and Intelligence', in which he first presents his famous eponymous test, he hoped to establish the claim that human intelligence is not special but can be explained in terms of computation. Research initially focused on the misguided notion that machine intelligence should provide a model for human intelligence. Ultimately, researchers in expert systems found that this was not the way to go.

Machine learning in the 1960's was largely concerned with knowledge representation and heuristic methods but the early 1970's research in neural networks had begun to flourish.

- 16- According to the text, which of the following statements is valid?
- 1) The background of machine learning can be coincided in Cybernetics.
 - 2) Scientists hope that intelligence in humans can be modeled by machine intelligence.
 - 3) Machine learning can be categorized to artificial engineering and computer science.
 - 4) The philosophical origins of machine learning can even go back to first millennium B.C..
- 17- In the sentence "There are many invaluable books available", what does "invaluable" mean?
- 1) Priceless
 - 2) Reasonable
 - 3) Worthless
 - 4) Inexpensive
- 18- Which of the following conclusions is correct according to the text?
- 1) There has been a drastic evolve in the research path in machine learning.
 - 2) According to Turing, intelligence in human kind is distinct and can hardly be described by any means.
 - 3) "The Logic Theorist" was amongst the typical research works during fifties.
 - 4) Nowadays, the overall belief in the scientific society about computers is that their application is confined to fast and efficient calculating.
- 19- The meaning of "traditional" in "traditional computer science" is close to:
- 1) Modern
 - 2) Theoretical
 - 3) Academic
 - 4) Conventional
- 20- What does the writer mean by "heuristic methods" in the last paragraph?
- 1) Analytical
 - 2) Investigatory
 - 3) Conceptual
 - 4) Unskeptical



PASSAGE 2:

Molecular imaging is a discipline of medical imaging where people study activities within the body at the subcellular and cellular level to get a detailed picture of processes happening inside both healthy and ill patients. It is a noninvasive diagnostic and clinical tool.

In molecular imaging, people can use existing tools like ultrasound, tracers, light, and magnetism to generate detailed images of the inside of the human body. The focus is on very high resolution in the finished images so people can see not just general structures in the body, but activities occurring at a cellular level. For example, a neurologist can use a tracer to map signaling pathways in the brain for the purpose of learning more about apparent neurological deficits in a patient, to determine how and where signals are going awry.

Being able to view processes inside the body of a living patient is an important step forward for medical diagnostics. Molecular imaging can allow people to detect very minute changes and variations that may not be visible with less detailed studies of a patient; it can potentially allow a doctor to identify the early signs of a problem and provide treatment before it develops into a medical issue, for example. The level of resolution is also important for studying conditions that are difficult to learn more about through pathology and the analysis of specimens, like the spread of degenerative neurological diseases in living patients.

Doctors can use a variety of imaging techniques to obtain studies with the required level of detail and information, including both static and dynamic imaging. Taking pictures of processes inside the body as they occur can be very informative for treatment of a variety of conditions, like respiratory diseases. A doctor can use a tracer to watch how a patient breathes and to determine how much air penetrates the lungs and how efficiently the lungs use gas exchange to trade waste carbon dioxide from inside the body for oxygen in the air. This can help him/her understand a respiratory condition and develop a treatment plan.

21- What does not “molecular imaging” allow physicians to do?

- 1) Noninvasive diagnosis
- 2) Visualization of tissue structures at the cellular level
- 3) Noninvasive treatment
- 4) Visualization of dynamic processes inside the human body

22- According to the text, what is the main advantage of “molecular imaging” relative to “established conventional imaging”?

- 1) It is faster
- 2) It has higher spatial resolution
- 3) It is less expensive
- 4) It has higher temporal resolution

23- A neurologist benefits from “molecular imaging” by -----

- 1) Determining how much air penetrates the lungs
- 2) Determining how efficiently the lungs trade waste carbon dioxide for oxygen
- 3) Mapping tissue structures in the brain at the cellular level
- 4) Determining how and where signals in the brain go off the expected course



PASSAGE 3:

Convexity is essential to modern optimization theory. However, it is not always the natural property to be expected from many nonlinear phenomena. Another property, perhaps at least as pervasive in the real world as convexity, is monotonicity. Monotonic optimization, or more generally d.m. (difference of monotonic) optimization, is concerned with nonconvex optimization problems described by means of monotonic and d.m. functions. The basic problem of d.m. optimization is maximization of a monotonic function under monotonic constraints. In the last few years, a theory of monotonic optimization has emerged which provides a general mathematical framework for the study of these problems.

There is a striking analogy between several basic facts from monotonicity theory and convexity theory, so that monotonicity can be regarded as abstract convexity, using a term coined by Singer in 1997.

From the point of view of modern optimization theory, a fundamental property of convex sets is the separation property which states that any point lying outside a closed convex set can be separated from it by a halfspace. The geometric object analogue to a convex set is a downward set which is the lower level set of an increasing function.

- 24- According to the sentence "Another property, perhaps at least as pervasive in the real world as convexity, is monotonicity.", we can conclude that:
- 1) Monotonicity is as vital as convexity in the real world.
 - 2) Monotonicity is as widespread as convexity in the real world.
 - 3) Monotonicity is as useful as convexity in the real world.
 - 4) Monotonicity is as important as convexity in the real world.
- 25- According to the text:
- 1) Although nonlinear phenomena are not necessarily convex, they all have the monotonicity property.
 - 2) Convexity is a necessary condition for monotonicity.
 - 3) The theoretic aspects of monotonicity and convexity have impressive similarities.
 - 4) Convexity is a generalized monotonicity.
- 26- What does "coined" in "A term coined by Singer" mean?
- 1) Copied
 - 2) Spanned
 - 3) Created
 - 4) Optimized
- 27- What does the the author mean by "monotonic constraints"?
- 1) The halfspace separated from a convex set.
 - 2) Monotonic functions which exhibit the separation property.
 - 3) Monotonic functions which are not convex.
 - 4) The limitations imposed to the problem due to monotonicity.



PASSAGE 4:

Microelectromechanical systems (MEMS) is the technology of very small mechanical devices driven by electricity. MEMS are separate and distinct from the hypothetical vision of molecular nanotechnology or molecular electronics. MEMS are made up of components between 1 to 100 micrometers in size and MEMS devices generally range in size from 20 micrometers to a millimeter. They usually consist of a central unit that processes data, the microprocessor and several components that interact with the outside such as micro sensors. At these size scales, the standard constructs of classical physics are not always useful. Because of the large surface area to volume ratio of MEMS, surface effects such as electrostatics and wetting dominate volume effects such as inertia or thermal mass.

The potential of very small machines was appreciated before the technology existed that could make them but MEMS became practical once they could be fabricated using modified semiconductor device fabrication technologies, normally used to make electronics. These include molding and plating, wet etching and dry etching, electro discharge machining, and other technologies capable of manufacturing small devices. An early example of a MEMS device is the resonator. The global market for micro-electromechanical systems includes products such as automobile airbag systems, display systems and inkjet cartridges.

28- It is inferred from the text that:

- 1) One of the reasons for which MEMS devices are being used in nowadays technology is that it can be implemented using the semiconductor device fabrication technology.
- 2) MEMS devices and electronic devices should be fabricated completely separately and independently.
- 3) MEMS devices were commercially used long before the introduction of electronic integrated devices.
- 4) MEMS devices were originally used for power generation.

29- In the sentence "These include molding and plating,...", what does "These" refer to?

- | | |
|-----------------------------|-------------------|
| 1) electronic devices | 2) MEMS devices |
| 3) fabrication technologies | 4) small machines |

30- Which statement is not true about MEMS devices?

- 1) They can be used to fabricate microsensors.
- 2) They are the actual implementation of the hypothetical molecular electronic.
- 3) Microcontrollers can facilitate the functionality of MEMS devices.
- 4) Compared to classical sensors, new concepts should usually be incorporated in MEMS devices.



۳۱- x و $\frac{1}{x}$ دو جواب مستقل خطی یک معادله دیفرانسیل مرتبه دوم خطی همگن هستند. با فرض آنکه ضریب y'' برابر یک

باشد، ضریب مشتق مرتبه اول در این معادله کدام است؟

(۱) $\frac{1}{x^2}$ (۲) $\frac{1}{x}$ (۳) x^2 (۴) x

۳۲- تبدیل لاپلاس تابع $f(t) = \int_0^{\infty} \frac{\cos(tx)}{x^2+1} dx$ کدام است؟

(۱) $\begin{cases} \frac{1}{s+1}, & s > 0 \\ \frac{1}{s-1}, & s < 0 \end{cases}$ (۲) $\frac{\pi}{2} \frac{1}{s-1}$ (۳) $\frac{\pi}{2} \frac{1}{s^2-1}$ (۴) $\frac{\pi}{2} \frac{1}{s+1}$

۳۳- در دستگاه

$$\begin{cases} y_1(t) = e^{\tau t} + \int_0^t y_2(x) dx \\ y_2(t) = 1 - \int_0^t e^{\tau(t-x)} y_1(x) dx \end{cases}$$

$y_1(t)$ برابر کدام گزینه است؟

(۱) $2 - 3e^{-t}$ (۲) $2 - 3e^t$ (۳) $-2 + 3e^t$ (۴) $-2 + 3e^{-t}$

۳۴- در صورتی که سری فوریه مثلثاتی تابع $g(x) = x^2$ ، $-\pi \leq x \leq \pi$ به صورت زیر باشد:

$$g(x) = \frac{\pi^2}{12} - \cos x + \frac{\cos 2x}{2^2} - \frac{\cos 3x}{3^2} + \dots$$

آنگاه سری فوریه مثلثاتی $\sin x - \frac{\sin 2x}{2^2} + \frac{\sin 3x}{3^2} - \dots$ مربوط به کدام تابع است؟

(۱) $\frac{x^2}{12}$ (۲) $\frac{x}{12}(\pi^2 - x^2)$ (۳) $\frac{x^2}{12}(\pi^2 - x)$ (۴) $\frac{x}{4}(\pi^2 - x^2)$

۳۵- معادله موج برای یک تار در حال ارتعاش به صورت زیر است:

$$\frac{\partial^2 u}{\partial x^2} - \frac{1}{c^2} \frac{\partial^2 u}{\partial t^2} = 0$$

اگر در مدل سازی مسأله از نیروی وزن تار و نیز اصطکاک هوا چشم‌پوشی نشود؛ کدام عبارت داده شده در مورد معادله درست است؟

(۱) معادله ناهمگن می‌شود و جمله $\frac{\partial u}{\partial t}$ در معادله ظاهر می‌شود.

(۲) فقط جمله $\frac{\partial u}{\partial t}$ در معادله ظاهر می‌شود.

(۳) معادله ناهمگن می‌شود و جمله $\frac{\partial u}{\partial x}$ در معادله ظاهر می‌شود.

(۴) فقط معادله ناهمگن می‌شود.



$$\frac{\partial^2 u}{\partial x^2} + \frac{\partial^2 u}{\partial y^2} = 0$$

$$u(0, y) = 0 \quad 0 \leq x \leq \pi$$

$$u(\pi, y) = 0 \quad y \geq 0$$

$$u(x, 0) = \sin 2x(1 - 2 \cos 2x)$$

که در آن $u(x, y)$ تابعی گرانددار است، کدام گزینه است؟

$$e^{-y} \sin 2x(1 - 2e^{-y} \cos 2x) \quad (2)$$

$$e^{-2y} \sin 2x(1 - 2 \cos 2x) \quad (1)$$

$$e^{-\frac{1}{2}y} \sin 2x(1 - 2e^{-\frac{1}{2}y} \cos 2x) \quad (4)$$

$$e^{-2y} \sin 2x(1 - 2e^{-2y} \cos 2x) \quad (3)$$

۳۷- پاسخ معادله لاپلاس: $\nabla^2 V(x, y) = 0$ در بالای محور افقی (نیم صفحه بالا: $y > 0$) از صفحه xoy با شرایط مرزی زیر مورد نظر است:

$$V(x, 0) = \begin{cases} V_0 \text{ (ثابت)} & ; x > 0 \\ 2V_0 & ; x < 0 \end{cases}$$

اختلاف پتانسیل دو نقطه $(1, 1)$ و $(1, \sqrt{3})$ برابر است با:

$$\frac{V_0}{3} \quad (4)$$

$$\frac{V_0}{6} \quad (3)$$

$$\frac{V_0}{4} \quad (2)$$

$$\frac{V_0}{12} \quad (1)$$

۳۸- اگر $f(z) = \begin{cases} \frac{e^{z^2} - 1}{z^2} & , z \neq 0 \\ 1 & , z = 0 \end{cases}$ آنگاه مقدار $f^{(2k)}(0)$ به ازای $k > 1$ عدد طبیعی کدام است؟

$$\frac{(2k)!}{k!} \quad (2)$$

$$2k(2k-1)\dots(k+2) \quad (1)$$

(۳) قابل محاسبه نیست زیرا تابع در $z=0$ تحلیلی نیست.

۳۹- ناحیه داخل مثلث تشکیل شده از مسیر $y = 1 - |x|$ و محور x ها را در نظر می‌گیریم. مساحت شکل حاصل از تبدیل این ناحیه از صفحه z تحت نگاشت $w = z^2$ در صفحه w برابر است با:

$$\frac{1}{2} \quad (4)$$

$$\frac{4}{3} \quad (3)$$

$$\frac{2}{3} \quad (2)$$

$$2 \quad (1)$$

۴۰- مقدار انتگرال مختلط زیر کدام است؟

$$I = \oint_{|z|=1} \left(z + \frac{1}{z} \right) e^{\frac{1}{z}} dz$$

$$-2\pi i \quad (4)$$

$$2\pi i \quad (3)$$

$$0 \quad (2)$$

$$2\pi i \quad (1)$$

۴۱- یک ذره واقع در مبدأ با احتمال p و $q = 1 - p$ روی محور x به ترتیب یک واحد به راست یا به چپ حرکت می‌کند. احتمال اینکه پس از $2k$ بار حرکت $2n$ واحد از مبدأ دور شده باشد ($k \geq n$) برابر است با:

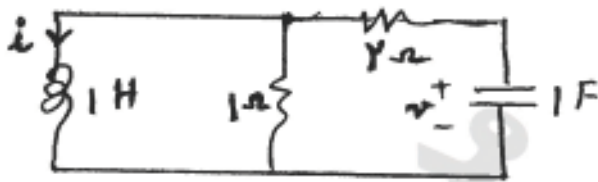
$$c_{rk}^{2n} (p^{2n} + q^{2n}) \quad (2)$$

$$c_{rk}^{k+n} p^{k-n} q^{k+n} \quad (1)$$

$$c_{rk}^{k+n} p^{k-n} q^{k-n} (p^{2n} + q^{2n}) \quad (4)$$

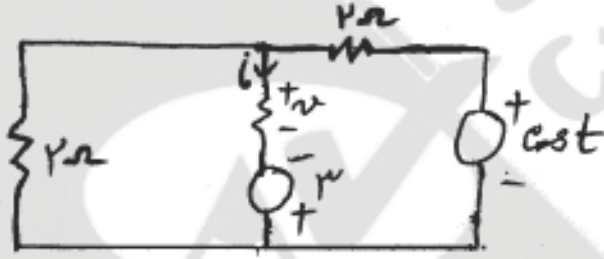
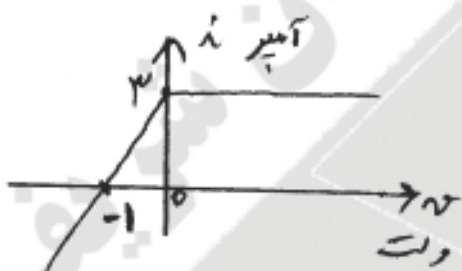
$$c_{rk}^{k+n} p^{k+n} q^{k-n} \quad (3)$$

۴۶- در مدار زیر اگر $i(0^-) = v(0^-) = 1$ باشد، مقدار $i^+(0^-)$ برابر است با:



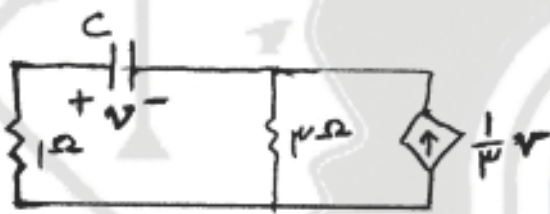
- (۱) $-\frac{2}{3}$
- (۲) $-\frac{1}{3}$
- (۳) ۱
- (۴) صفر

۴۷- در مدار زیر وقتی جریان مقاومت غیر خطی $v - i$ برابر ۳ آمپر است، بیشترین مقدار v چند ولت است؟



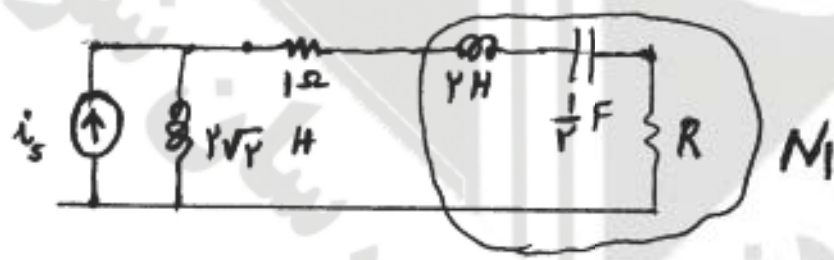
- (۱) صفر
- (۲) $\frac{1}{2}$
- (۳) ۲
- (۴) ۱

۴۸- در مدار زیر انرژی اولیه خازن در مدت $t = \ln \sqrt{2}$ ثانیه نصف می‌شود. مقدار C چند فاراد است؟



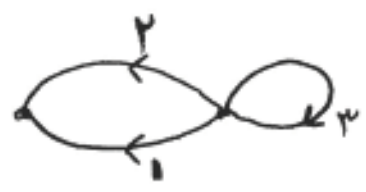
- (۱) ۳
- (۲) ۲
- (۳) $\frac{1}{2}$
- (۴) ۱

۴۹- مدار زیر در وضعیت دائمی سینوسی است. N_1 در حالت تشدید و بیشترین توان آن برابر سه وات است. توان راکتیو منبع چند وار (ولت آمپر راکتیو) است؟



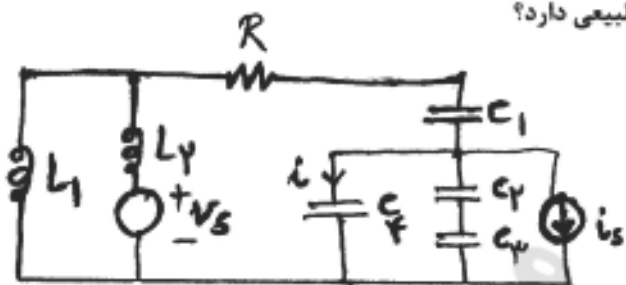
- (۱) -۴
- (۲) $-4\sqrt{2}$
- (۳) ۸
- (۴) $4\sqrt{2}$

۵۰- در مدار سه شاخه‌ای با گراف داده شده، کدام ادعا درست است؟



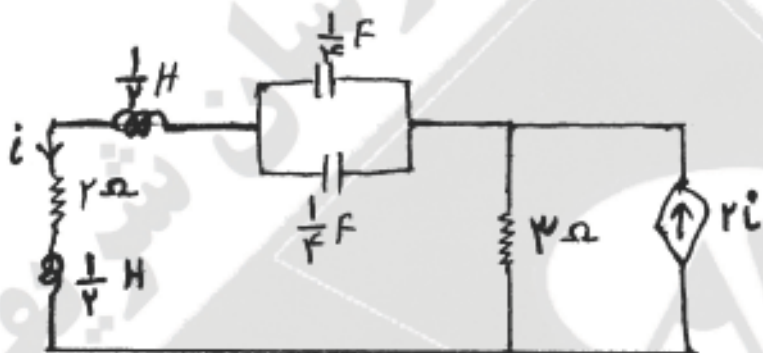
- (۱) ولتاژها روی خط موازی صفحه جریان‌ها قرار دارند.
- (۲) ولتاژها روی یک صفحه گذرنده از مبدأ قرار دارند.
- (۳) ولتاژها روی خط عمود بر صفحه جریان‌ها قرار دارند.
- (۴) جریان‌ها روی یک خط گذرنده از مبدأ قرار دارند.

۵۱- در مدار زیر مقادیر المان‌ها مثبت است. جریان i چند فرکانس طبیعی دارد؟



- (۱) دو فرکانس طبیعی مخالف صفر
- (۲) دو فرکانس طبیعی مخالف صفر و یک فرکانس طبیعی صفر
- (۳) دو فرکانس طبیعی مخالف صفر و سه فرکانس طبیعی صفر
- (۴) دو فرکانس طبیعی مخالف صفر و دو فرکانس طبیعی صفر

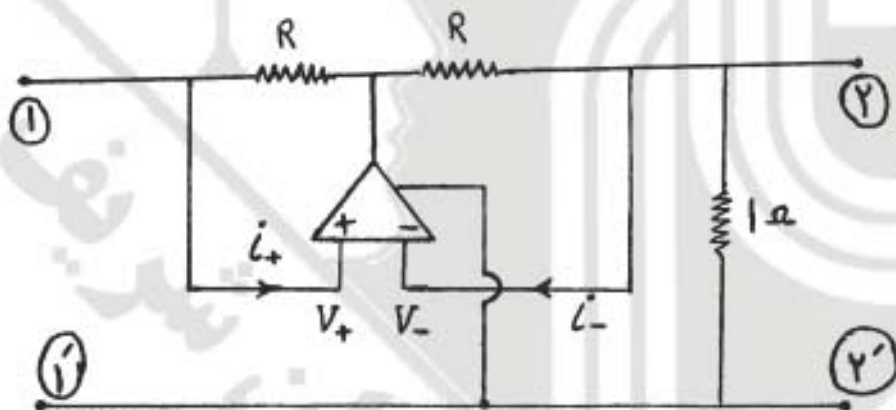
۵۲- در مدار زیر اگر معادلات حالت مدار به صورت $\dot{x} = Ax$ باشد، ماتریس A کدام است؟



- (۱) $\begin{bmatrix} 0 & 2 \\ -1 & 1 \end{bmatrix}$
- (۲) $\begin{bmatrix} 1 & 1 \\ -2 & 0 \end{bmatrix}$
- (۳) $\begin{bmatrix} 1 & 0 & 1 \\ -1 & 0 & 0 \\ 1 & 1 & -1 \end{bmatrix}$
- (۴) $\begin{bmatrix} 2 & 2 \\ -1 & 0 \end{bmatrix}$

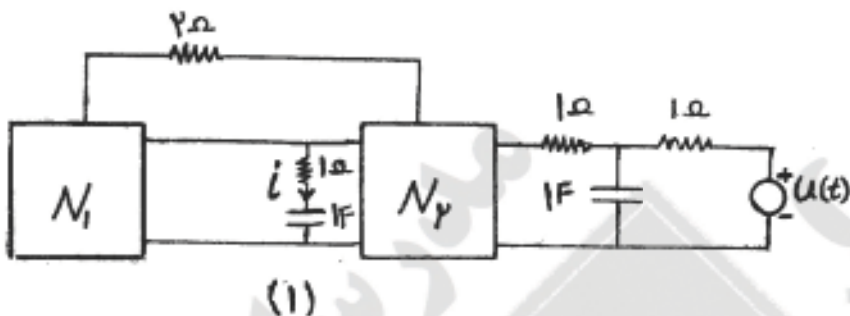
۵۳- ماتریس انتقال دو قطبی زیر کدام است؟

(آپ امپ ایده‌آل است یعنی $v_+ = v_-$, $i_+ = i_- = 0$)



- (۱) $\begin{bmatrix} 1 & 0 \\ -1 & 1 \end{bmatrix}$
- (۲) $\begin{bmatrix} 1 & 0 \\ 1 & 1 \end{bmatrix}$
- (۳) $\begin{bmatrix} R & R \\ 1 & 1 \end{bmatrix}$
- (۴) $\begin{bmatrix} 1 & 0 \\ -1 & -1 \end{bmatrix}$

۵۴- در مدار هم پاسخ زیر در شکل (۱)، پاسخ حالت صفر i به صورت $i = \frac{1}{3}(e^{-t} - e^{-2t})u(t)$ است. در مدار شکل (۲)، i_y کدام است؟ $u(t)$ تابع پله واحد)



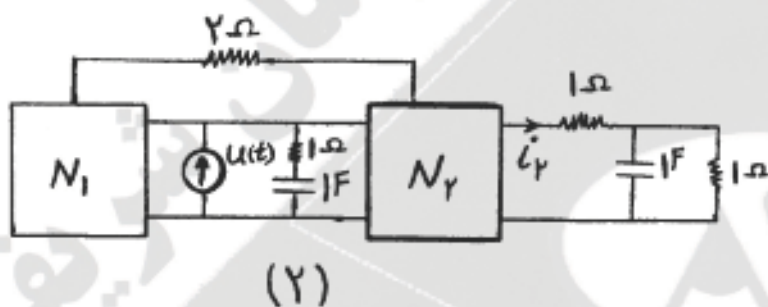
کدام است؟ $u(t)$ تابع پله واحد)

(۱) $\frac{1}{3}(1 + 2e^{-2t})u(t)$

(۲) $(e^{-2t} + e^{-t})u(t)$

(۳) $(e^t + 1 - 2e^{-2t})u(t)$

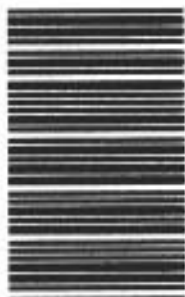
(۴) $(2e^{-2t} - 2e^{-t} + 1)u(t)$



408

D

نام
نام خانوادگی
محل امضاء



408D

دفترچه شماره ۲
عصر پنجشنبه
۹۰/۱۱/۲۷



جمهوری اسلامی ایران
وزارت علوم، تحقیقات و فناوری
سازمان سنجش آموزش کشور

اگر دانشگاه اصلاح شود مملکت اصلاح می‌شود.
امام خمینی (ره)

آزمون ورودی دوره‌های کارشناسی ارشد ناپیوسته داخل - سال ۱۳۹۱

مجموعه مهندسی برق - کد ۱۲۵۱

مدت پاسخگویی: ۱۵۰ دقیقه

تعداد سؤال: ۹۶

عنوان مواد امتحانی، تعداد و شماره سؤالات

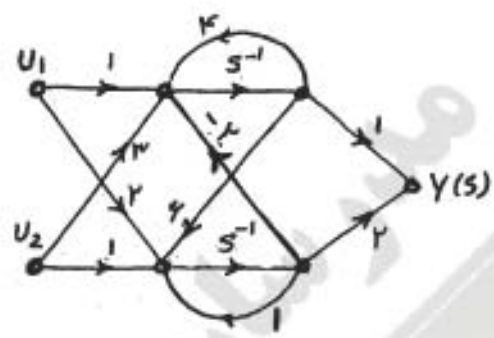
ردیف	مواد امتحانی	تعداد سؤال	از شماره	تا شماره
۱	سیستمهای کنترل خطی	۱۲	۵۵	۶۶
۲	تجزیه و تحلیل سیستمها	۱۲	۶۷	۷۸
۳	بررسی سیستمهای قدرت ۱	۱۲	۷۹	۹۰
۴	مدار منطقی و ریزپردازندهها	۱۲	۹۱	۱۰۲
۵	الکترونیک ۱ و ۲	۱۲	۱۰۳	۱۱۴
۶	ماشینهای الکتریکی ۱ و ۲	۱۲	۱۱۵	۱۲۶
۷	الکترومغناطیس	۱۲	۱۲۷	۱۳۸
۸	مقدمای بر مهندسی پزشکی	۱۲	۱۳۹	۱۵۰

* برای داوطلبان گرایش مهندسی پزشکی انتخاب یکی از دو درس ردیفهای ۷ و ۸ اجباری است.

بهمن ماه سال ۱۳۹۰

استفاده از ماشین حساب مجاز نمی‌باشد.

۵۵- در سیستمی که با سیگنال فلوگراف زیر نشان داده شده است، تابع تبدیل $\frac{Y(s)}{U_1(s)} \Big|_{U_2=0}$ کدام یک از گزینه‌های زیر است؟

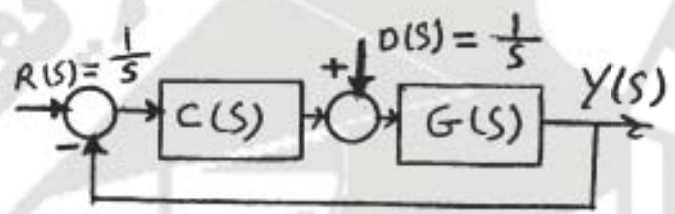


- (۱) $\frac{Y(s)}{U_1(s)} \Big|_{U_2=0} = \frac{\Delta(s-1)}{s^2 - \Delta s + 8}$
- (۲) $\frac{Y(s)}{U_1(s)} \Big|_{U_2=0} = \frac{\Delta(s-1)}{s^2 - \Delta s + 16}$
- (۳) $\frac{Y(s)}{U_1(s)} \Big|_{U_2=0} = \frac{\Delta s - 17}{s^2 - \Delta s + 16}$
- (۴) $\frac{Y(s)}{U_1(s)} \Big|_{U_2=0} = \frac{\Delta(s-1)}{s^2 - \Delta s + 12}$

۵۶- سیستم فیدبک واحد زیر با تابع تبدیل حلقه باز $G(s) = \frac{1}{s(s+1)}$ را در نظر بگیرید. کدام یک از جبران‌سازهای پیشنهادی

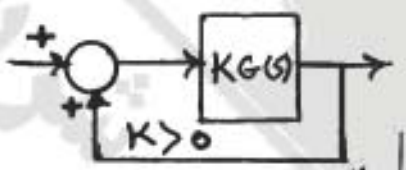
مشخصات مطلوب زیر را برای پاسخ پله به ورودی مرجع ارضاء نموده و رفتار حذف اغتشاش بهتری دارد؟

$T_s = 2 \text{ seconds}$, $P.O. = 7.5\%$

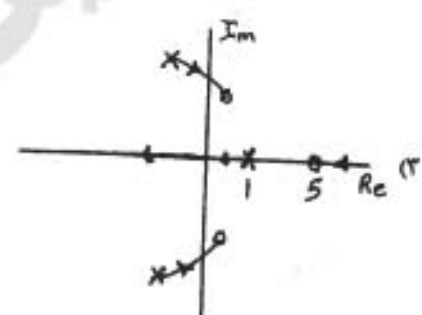
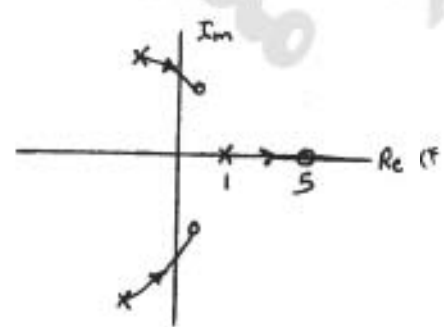
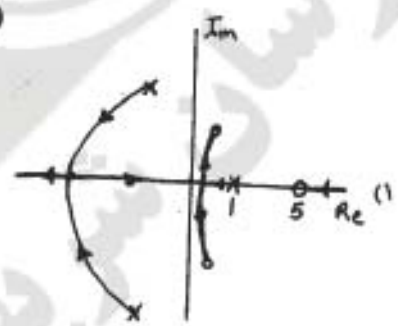
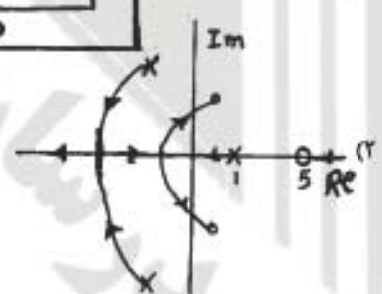


- (۱) $C(s) = \Delta$
- (۲) $C(s) = \Delta \frac{s+0.01}{s+0.001}$
- (۳) $C(s) = 2(s+2.7)$
- (۴) $C(s) = 60 \frac{s+2}{s+8}$

۵۷- سیستم فیدبک واحد زیر را در نظر بگیرید. مکان هندسی ریشه‌ها به ازاء تغییرات $0 < k < \infty$ کدام گزینه زیر است؟



$$G(s) = \frac{(s-\Delta)(s^2 - s + 1,2\Delta)}{(s-1)(s^2 + 2s + \Delta)}$$



۵۸- پاسخ حلقه باز سیستم کنترل با $G(s)H(s) = \frac{k}{s(s+1)(s+2)}$ به ورودی $\sin \sqrt{2}t$ در حالت ماندگار کدام گزینه زیر است؟

$$(1) \frac{k}{2} + \frac{k}{6} \sin(\sqrt{2}t - 45^\circ)$$

$$(2) k \cos \sqrt{2}t \quad 0 < k < 6$$

$$(3) \frac{k}{2} - \frac{k}{6} \sin \sqrt{2}t$$

$$(4) k \cos \sqrt{2}t \quad 0 < k < 6$$

۵۹- در چه بازه‌ای از k پاسخ گذرای سیستم حلقه بسته برای تابع تبدیل حلقه باز $G(s)H(s) = \frac{k}{s(s^2 + 4s + 5)}$ میرای شدید (overdamping) است؟

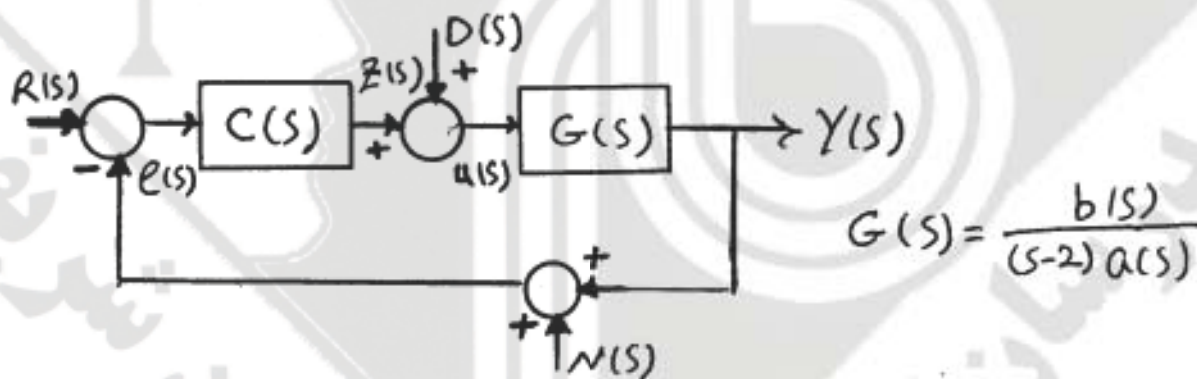
$$(1) 0 < k \leq 2$$

$$(2) \frac{50}{27} \leq k \leq 2$$

$$(3) 1 \leq k \leq \frac{5}{3}$$

(4) به ازاء همه مقادیر $0 < k < 20$ پاسخ گذرای سیستم حلقه بسته میرای سینوسی است.

۶۰- سیستم زیر را در نظر بگیرید:



تابع تبدیل حساسیت S_G^T بدین شکل به دست آمده است: $S_G^T = \frac{B(s)}{A(s)}$ که در آن $a(s)$, $b(s)$, $B(s)$ و $A(s)$ هیچ ریشه‌ای

در سمت راست صفحه s ندارند. کدام گزینه در مورد کران سیگنال‌های سیستم درست است؟

$$(R(s) = D(s) = N(s) = \frac{1}{s})$$

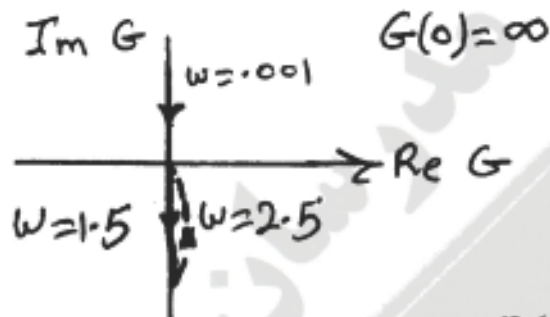
(۱) سیستم پایدار است و همه سیگنال‌ها کراندارند.

(۲) سیستم ناپایدار است و $y(t)$ بیکران است.

(۳) سیستم ناپایدار است و $z(t)$ بیکران است.

(۴) سیستم ناپایدار است و $u(t)$ بیکران است.

۶۱- یک سیستم فیدبک واحد با تابع تبدیل $G(s)$ که دیاگرام قطبی آن در شکل نشان داده شده است را در نظر بگیرید. کدام گزینه در مورد پایداری سیستم حلقه بسته به ازاء $-\infty < k < \infty$ درست است؟ (دقت کنید که دیاگرام قطبی تماماً موهومی است و تکه خطچین تنها برای وضوح خارج از محور موهومی نمایش داده شده است. $G(s)$ قطب یا صفری در RHP ندارد و درجه آن کمتر از ۲ می‌باشد.)



(۱) همواره پایدار

(۲) همواره ناپایدار ۲ قطب برای $0 < k < \infty$ و یک قطب برای $-\infty < k < 0$

(۳) پایدار به ازاء $0 < k < \infty$ و ناپایدار با یک قطب برای $-\infty < k < 0$

(۴) همواره ناپایدار و ۲ قطب در RHP برای $-\infty < k < \infty$

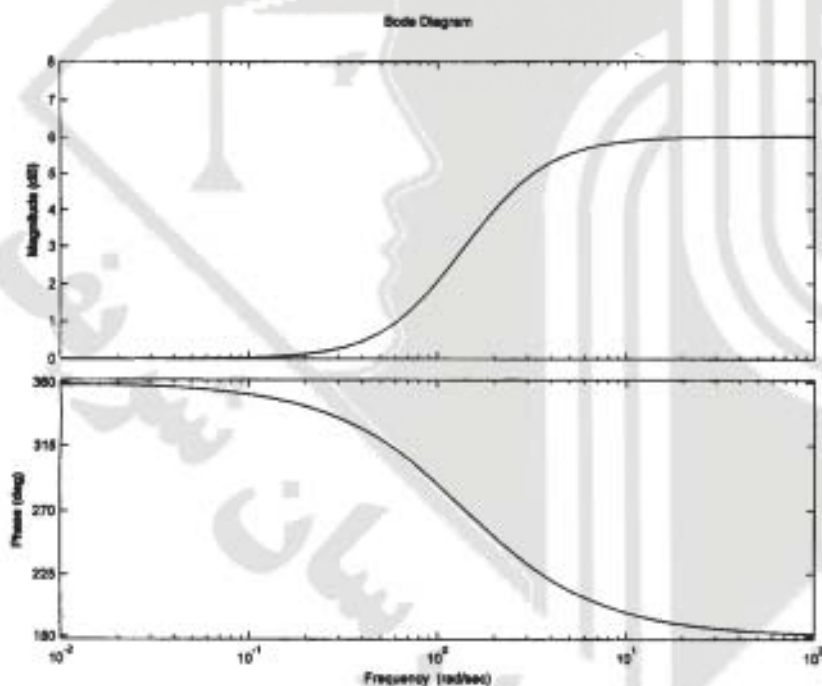
۶۲- یک سیستم با فیدبک واحد با تابع تبدیل حلقه باز که دیاگرام بودی آن در شکل نشان داده شده است را در نظر بگیرید. کدام گزینه در مورد حد بهره و حد فاز صحیح است؟

(۱) حد بهره ۶ dB حد فاز 135°

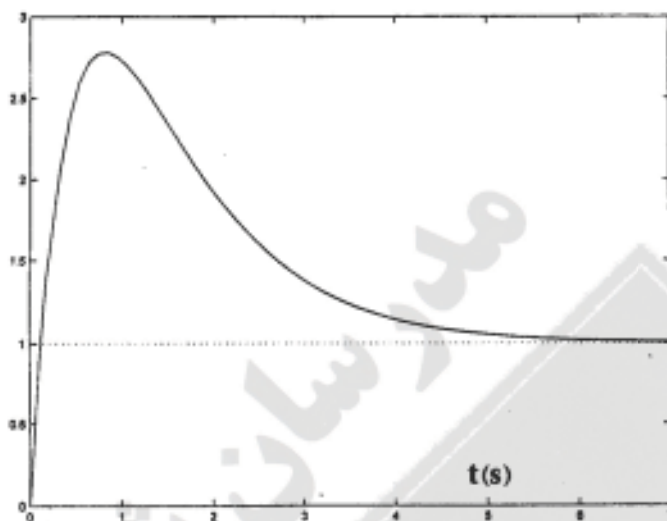
(۲) حد بهره ۶ dB حد فاز 180°

(۳) حد بهره بی‌نهایت حد فاز 180°

(۴) سیستم ناپایدار است.



۶۳- شکل زیر پاسخ پله کدام تابع تبدیل است؟



$$G(s) = \frac{2(1+\Delta s)}{(s+1)(s+2)} \quad (1)$$

$$G(s) = \frac{2(1+\Delta s)(1+0.1s)}{s^2 + 1.4s + 2} \quad (2)$$

$$G(s) = \frac{2(1+\Delta s)(1+0.1s)}{(s+1)(s+2)} \quad (3)$$

$$G(s) = \frac{2(1+\Delta s)}{s^2 + 1.4s + 2} \quad (4)$$

 ۶۴- در دیاگرام بودی $(S^2 + 2\zeta\omega_n S + \omega_n^2)^{-1}$ در فرکانس زاویه‌ای $\omega = \omega_p$ دامنه به حداکثر مقدار خود می‌رسد. حساسیت

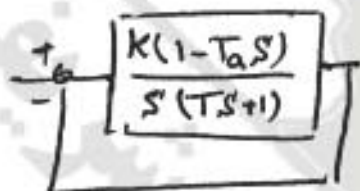
 این فرکانس زاویه‌ای نسبت به ζ ($S^2 + 2\zeta\omega_n S + \omega_n^2$) در ζ نامی $\frac{1}{\sqrt{2}}$ کدام گزینه زیر است؟

(۱) -۱

(۲) ۱

(۳) ۰٫۵

(۴) -۰٫۵

 ۶۵- در سیستم زیر مقدار بهره k چقدر باشد تا حد بهره سیستم ۲ شود؟


$$(K, T, T_a > 0)$$

 (۱) $\frac{1}{T_a}$

 (۲) $\frac{2T}{T_a}$

 (۳) $\frac{2T_a}{T}$

 (۴) $\frac{1}{2T_a}$

۶۶- ماتریس انتقال حالت سیستمی با معادله حالت $\dot{x} = Ax + Bu$ به صورت زیر است:

$$\Phi(t) = \begin{bmatrix} e^{-t} + te^{-t} & te^{-t} \\ -te^{-t} & e^{-t} - te^{-t} \end{bmatrix}$$

ماتریس A کدام است؟

- (۱) $\begin{bmatrix} 0 & -1 \\ 1 & -2 \end{bmatrix}$
 (۲) $\begin{bmatrix} -1 & 1 \\ 0 & -1 \end{bmatrix}$
 (۳) $\begin{bmatrix} 0 & 1 \\ -1 & -2 \end{bmatrix}$
 (۴) $\begin{bmatrix} 0 & 1 \\ -2 & -2 \end{bmatrix}$

تجزیه و تحلیل سیستم‌ها

۶۷- در یک سیستم LTI پایدار علی با پاسخ ضربه $h[n]$ ، پاسخ سیستم به ورودی $x[n] = 1 + \cos(2\pi f_0 n + \frac{\pi}{3})$ به صورت

$$y[n] = j - e^{j2\pi f_0 n} \sum_{n=-\infty}^{+\infty} \text{Re}\{h[n]\} \sin(2\pi f_0 n)$$

مقدار $\sum_{n=-\infty}^{+\infty} \text{Re}\{h[n]\} \sin(2\pi f_0 n)$ در این سیستم چقدر است؟

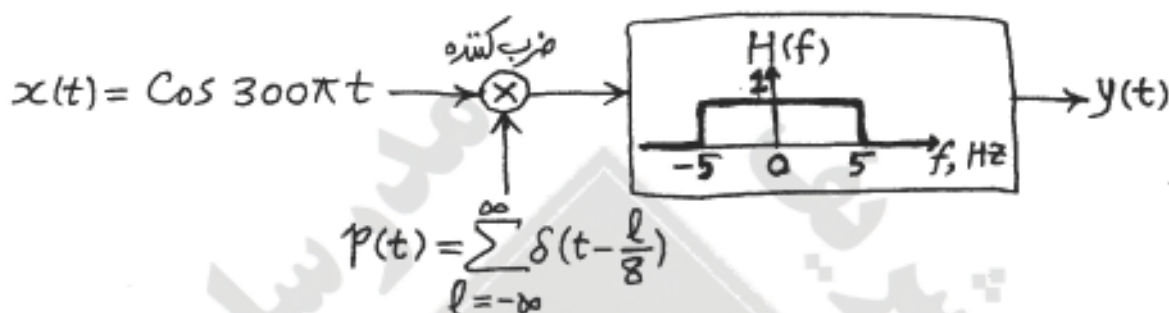
- (۱) -۱
 (۲) +۱
 (۳) $\cos \frac{\pi}{3}$
 (۴) $-\sin \frac{\pi}{3}$

۶۸- فرض کنید سیگنال حقیقی $\tilde{x}[n]$ متناوب با دوره تناوب اصلی $N=4$ بوده و مقدار متوسط آن صفر است. اگر در بسط پهن سری فوری این سیگنال دو تا از ضرایب به صورت $a_3 = -1 + j$ ، $a_1 = -2$ باشند، در این صورت توان متوسط سیگنال

$\tilde{x}[n]$ چقدر است؟

- (۱) ۱۴
 (۲) ۱۸
 (۳) ۲۸
 (۴) ۲۴

۷۱- در سیستم شکل زیر، خروجی فیلتر $y(t)$ برابر با کدام گزینه است؟



(۱) $\cos 4\pi t$

(۲) $\cos 2\pi t$

(۳) $2\cos 4\pi t$

(۴) $2\cos 2\pi t$

۷۲- در یک سیستم LTI و علی زمان - گسسته با پاسخ ضربه به طول محدود و حقیقی $h[n]$ ، به ازای ورودی

$$x[n] = (1 + \cos \frac{\pi n}{3})u[n]$$

پاسخ حالت دائمی برابر $y[n] = 2$ می‌شود؟ با فرض حداقل طول ممکن برای $h[n]$ و این که

$h[0] \neq 0$ ، $h[1]$ چقدر است؟

(۱) -۲

(۲) -۱

(۳) +۲

(۴) +۱

۷۳- رابطه بین ورودی و خروجی در یک سیستم بصورت $y[n] = \sum_{k=-1}^{\infty} x[n-k^2]$ می‌باشد. این سیستم تغییر..... با زمان و

..... است.

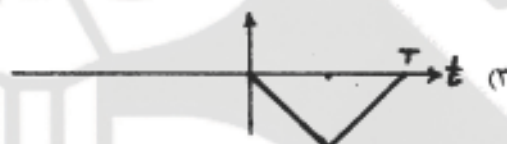
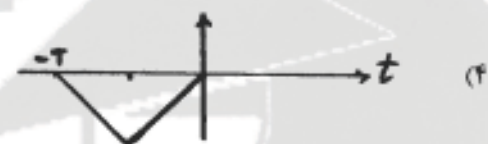
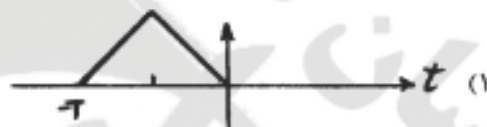
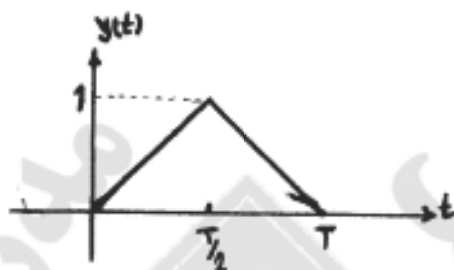
(۱) پذیر، پایدار

(۲) پذیر، ناپایدار

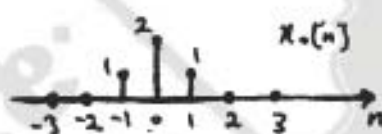
(۳) ناپذیر، ناپایدار

(۴) ناپذیر، پایدار

۷۴- پاسخ ضربه یک سیستم LTI یک سیگنال فرد است. اگر خروجی سیستم برای یک سیگنال $x(t)$ ، به صورت $y(t)$ مطابق با شکل زیر باشد، خروجی سیستم برای سیگنال $x(-t)$ چگونه است؟



۷۵- اگر $y[n]$ پاسخ یک سیستم LTI پایدار به ورودی $x_0[n]$ بوده و $\sum_{n=-\infty}^{+\infty} y_0[n] = -1$ است. $y_1[n]$ پاسخ همان سیستم به



ورودی $x_1[n]$ است، کدام گزینه زیر صحیح است؟

(۱) $\sum_n y_1[-n] = -4$

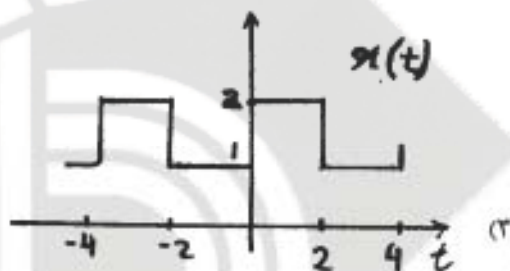
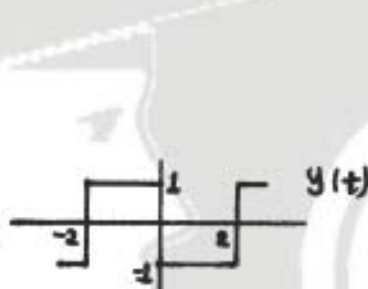
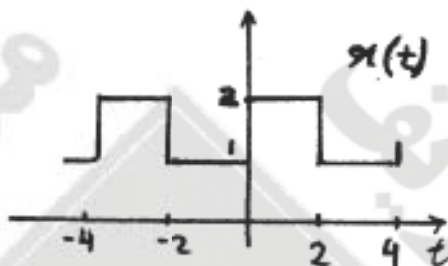
(۲) $\sum_n y_1[-n] = 0$

(۳) $\sum_n y_1[-n] = 4$

(۴) $\sum_n y_1[-n] = 2$



۷۶- سیگنال پریودیك $x(t)$ با دوره تناوب ۴ و ضرایب سری فوریه a_k در شکل زیر نشان داده شده است. سیگنال $y(t)$ دارای سری فوریه $b_k = (-1)^k a_k + (-1)^k a_{-k}$ می‌باشد. در کدام گزینه زیر نمودار صحیح می‌باشد؟



۷۷- رابطه ورودی - خروجی یک سیستم پیوسته با زمان خطی بصورت زیر داده شده است:

$$y(t-1) = \int_{-\infty}^{\infty} x(\tau)u(\tau-t)d\tau$$

$u(t)$ تابع پله واحد است. این سیستم تغییر با زمان و است.

(۱) پذیر - علی

(۲) پذیر - غیرعلی

(۳) ناپذیر - غیرعلی

(۴) ناپذیر - علی

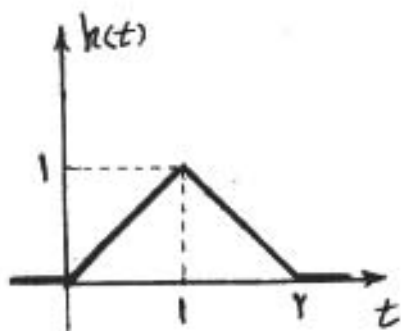
۷۸- در صورتی که $h(t)$ پاسخ ضربه یک سیستم خطی تغییرناپذیر با زمان بصورت مقابل باشد و ورودی این سیستم بصورت $x(t) = h(t+2)$ تعریف گردد. در چه زمانی خروجی ماکزیمم و مقدار ماکزیمم خروجی در این زمان چقدر خواهد بود.

(۱) $y_{\max} = 2, t = 1$

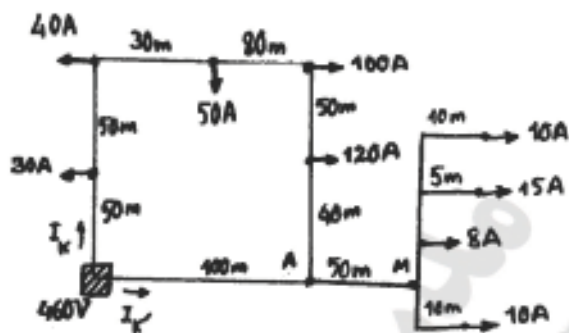
(۲) $y_{\max} = \frac{2}{3}, t = 1$

(۳) $y_{\max} = 2, t = 0$

(۴) $y_{\max} = \frac{2}{3}, t = 0$



در شکل زیر جریان عبوری از طرف منبع هر یک از انشعاب‌ها چقدر است؟ (به ترتیب I_K و I'_K) -۷۹-

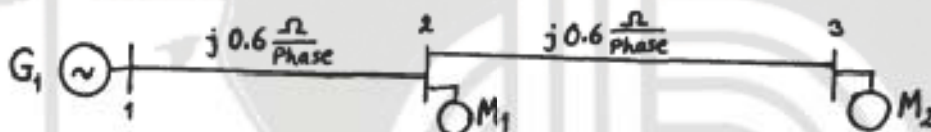


- (۱) ۱۹۲٫۷ و ۱۹۰٫۲
- (۲) ۱۹۰٫۲ و ۳۰۲٫۷
- (۳) ۱۹۰٫۲ و ۱۹۲٫۷
- (۴) ۳۸۵٫۴ و ۳۸۰

۸۰- در یک خط انتقال کوتاه سه فاز با امپدانس $۰٫۱ + j۰٫۲$ pu، ولتاژ ابتدای خط ۱pu می‌باشد. چنانچه این خط بار سلفی با توان اکتیو ۴pu، و ضریب توان ۰٫۸ را تغذی ه کند، اندازه ولتاژ انتهای خط برحسب pu چقدر است؟

- (۱) ۰٫۸
- (۲) ۰٫۹۷
- (۳) ۰٫۹
- (۴) ۱٫۰۵

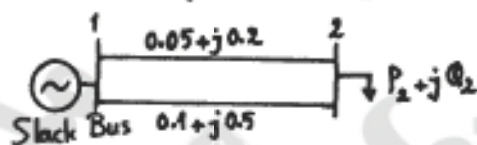
۸۱- در سیستم قدرت شکل زیر، موتور بی اتلاف M_1 بی بار است و موتور M_2 توان اکتیو ۷٫۵MW را با شدت جریان ۵ pu، در ضریب قدرت واحد می‌کشد. ضریب قدرت ژنراتور G با فرض $V_{base} = ۲۰$ kV، $S_{base} = ۱۰۰$ MVA کدام است؟



- (۱) $\cos(\tan^{-1} \frac{۳}{۷٫۵})$ ، پس فاز
- (۲) $۰٫۷۰۷$ ، پس فاز
- (۳) $\cos(\tan^{-1} \frac{۳}{۷٫۵})$ ، بیش فاز
- (۴) $۰٫۷۰۷$ ، بیش فاز

۸۲- در شبکه قدرت زیر، با فرض: معکوس ماتریس زاكوبینی چقدر است؟

$$\begin{cases} P_r = \delta_r + 3|V_r| \\ Q_r = 0,1\delta_r + \frac{1}{5}|V_r| + |V_r| \end{cases}$$



$$\begin{bmatrix} 1 & 3 \\ 0,1 & 1 \end{bmatrix} \quad (1)$$

$$\begin{bmatrix} 1,43 & -4,29 \\ -0,14 & 1,43 \end{bmatrix} \quad (2)$$

$$\begin{bmatrix} 1 & -3 \\ -0,1 & 1 \end{bmatrix} \quad (3)$$

$$\begin{bmatrix} -1,43 & 4,29 \\ 0,14 & -1,43 \end{bmatrix} \quad (4)$$

۸۳- خط انتقالی با راکتانس $\frac{\sqrt{3}}{10}$ pu مطابق شکل، دو واحد نیروگاهی را به هم وصل کرده است. چنانچه بخواهیم ولتاژ در دو نیروگاه به صورت $|V_1| = |V_2| = 1$ pu باشد، با فرض اینکه نیروگاه اول، ۲ برابر نیروگاه دوم توان حقیقی تولید کند، ضریب توان نیروگاه ۱ چقدر خواهد بود؟



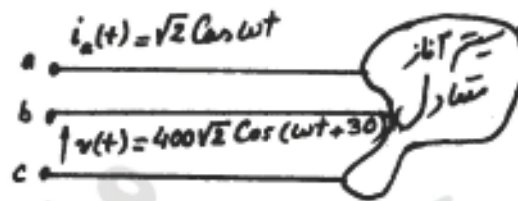
$$\frac{8}{\sqrt{91}} \quad (1)$$

$$\frac{2}{\sqrt{18}} \quad (2)$$

$$\frac{\sqrt{8}}{\sqrt{18}} \quad (3)$$

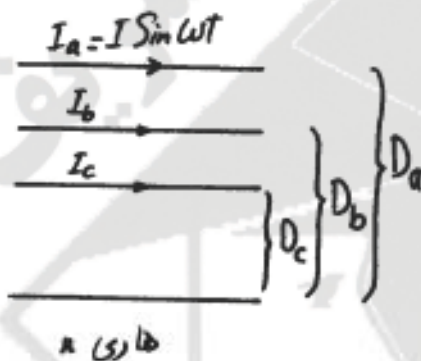
$$\frac{9}{\sqrt{3}} \quad (4)$$

شکل زیر مقادیر ولتاژ و جریان اندازه‌گیری شده در یک پایانه سه فاز متعادل را نشان می‌دهد. توان این پایانه بر حسب V_A کدام است؟



- (۱) $600 - j200\sqrt{3}$
- (۲) $-200\sqrt{3} + j600$
- (۳) $600 + j200\sqrt{3}$
- (۴) $200\sqrt{3} + j600$

۸۵- در مدار زیر، هادی n در کنار یک خط ۳ فاز با جریان‌های متعادل قرار گرفته است. مقدار مؤثر ولتاژ القاء شده در یک متر هادی n چقدر است؟



- (۱) $\sqrt{2} \times 10^{-7} \omega I \sqrt{(\ln \frac{1}{D_a})^2 + (\ln \frac{1}{D_b})^2 + (\ln \frac{1}{D_c})^2}$
- (۲) $2 \times 10^{-7} \omega I \sqrt{(\ln \frac{1}{D_a})^2 + (\ln \frac{1}{D_b})^2 + (\ln \frac{1}{D_c})^2}$
- (۳) $\sqrt{2} \times 10^{-7} \omega I \sqrt{\ln \frac{1}{D_a} + \ln \frac{1}{D_b} + \ln \frac{1}{D_c}}$
- (۴) $2 \times 10^{-7} \omega I \sqrt{\ln \frac{1}{D_a} + \ln \frac{1}{D_b} + \ln \frac{1}{D_c}}$

۸۶- در خط ۳ فاز ۴ سیمه زیر، اندوکتانس فاز a در حالتی که از ۳ فاز جریان‌های مساوی (توالی صفر) می‌گذرد چقدر است؟ فاصله فازها از هم برابر D و فاصله فاز a از سیم نول برابر $2D$ است.



- (۱) $2 \times 10^{-7} \text{Ln} \frac{2D}{r}$
- (۲) $2 \times 10^{-7} \text{Ln} \frac{6D}{r}$
- (۳) $2 \times 10^{-7} \text{Ln} \frac{4D}{r}$
- (۴) $2 \times 10^{-7} \text{Ln} \frac{8D}{r}$

۸۷- در صورتیکه در یک خط انتقال برای پارامترهای خط انتقال داشته باشیم $\frac{R}{L} = \frac{G}{C}$ ، آن‌گاه امپدانس مشخصه خط برابر است با:

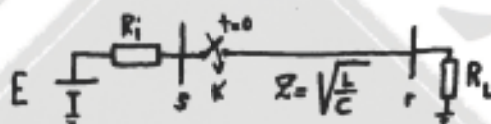
$$\frac{R}{L} \quad (۱)$$

(۲) بی‌نهایت

(۳) صفر

(۴) امپدانس مشخصه خط در حالت بی‌اتلاف

۸۸- در سیستم قدرت روبرو در لحظه $t = 0$ کلید K بسته می‌شود بعد از گذشت مدت زمانی (در حالت دائم) ولتاژگره (S) مساوی است با:



$$\left(\frac{\gamma Z}{R_i + Z}\right)E \quad (۱)$$

$$\left(\frac{R_i - Z}{R_i + Z}\right)E \quad (۲)$$

$$\left(\frac{R_L}{R_i + R_L}\right)E \quad (۳)$$

$$E \quad (۴)$$

۸۹- در یک خط انتقال سه فاز متعادل و متقارن برای فاز a داریم: امپدانس مشخصه Z_s ، امپدانس بار Z_R ، $\tanh \theta_1 = \frac{Z_R}{Z_s}$ ، ثابت انتشار γ و x فاصله از ته خط). $x\theta_1 = \gamma x + \theta_1$ ، فازور جریان در نقطه‌ای به فاصله x از ته خط I_x و فازور جریان در ته خط I_R ، کدام یک از گزینه‌های زیر صحیح است؟

$$I_x = \frac{I_R \cosh x \theta_1}{\cosh \theta_1} \quad (۱)$$

$$I_x = \frac{I_R \cosh x \theta_1}{\cosh x \theta_1} \quad (۲)$$

$$I_x = \frac{I_R \cosh x \theta_1}{\cosh \theta_1} \quad (۳)$$

$$I_x = \frac{I_R \cosh \theta_1}{\cosh x \theta_1} \quad (۴)$$

۹۰- در یک خط انتقال انرژی سه فاز بی‌اتلاف در شرایط متعادل باری فاز a داریم: دامنه جریان در نقطه‌ای به فاصله x از ته خط $|I_x|$ ، جریان در سر خط $|I_s|$ و جریان در ته خط $|I_R|$. این خط تحت بارگذاری طبیعی (SIL) قرار دارد. کدام یک از گزینه‌های زیر صحیح است؟

$$|I_x| = \frac{|I_R| + |I_s|}{\gamma} \quad (۱)$$

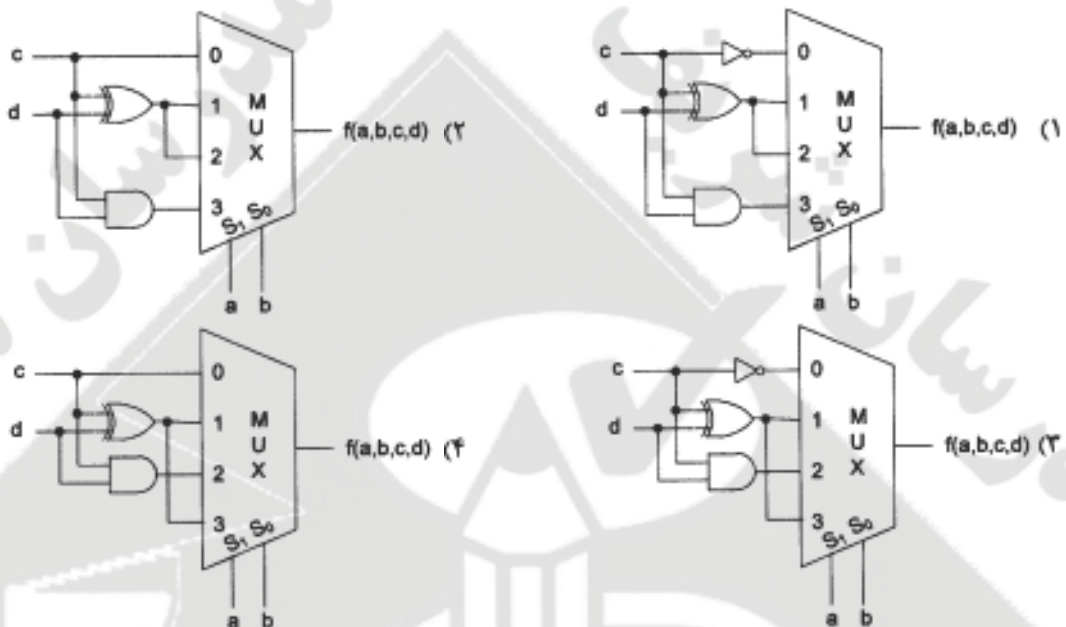
$$|I_x| = x |I_R| = \gamma x |I_s| \quad (۲)$$

$$|I_x| = \frac{|I_R|}{x} = \frac{|I_s|}{\gamma x} \quad (۳)$$

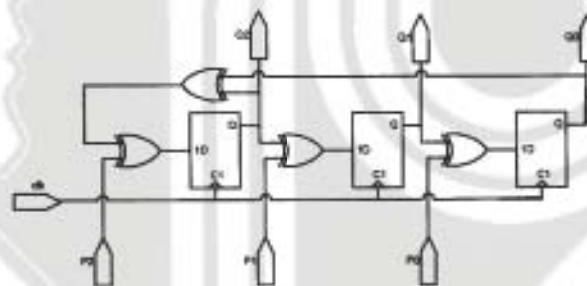
$$|I_x| = |I_R| = |I_s| \quad (۴)$$

۹۵- کدام گزینه ساده‌ترین پیاده‌سازی تابع زیر را نشان می‌دهد؟

$$f(a,b,c,d) = \sum_m (0,1,5,6,9,15) + d(7,10)$$

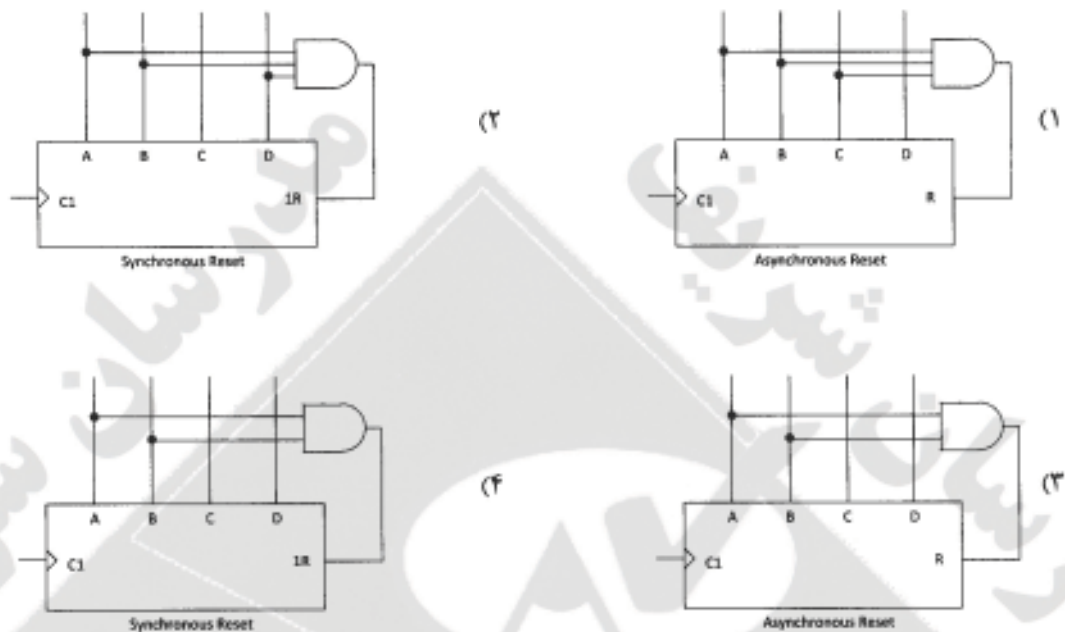


۹۶- مقدار اولیه در $Q_2Q_1Q_0$ برابر با 000 است. مقدار $P_2P_1P_0$ به طور ثابت برابر 101 می‌باشد. مقدار $Q_2Q_1Q_0$ پس از چند clk برابر 111 می‌شود؟



(۱) پس از سه clk (۲) پس از دو clk (۳) پس از یک clk (۴) پس از چهار clk

۹۷- کدام گزینه پیاده‌سازی شمارنده به پیمانه ۱۳ (Modulo-13 Counter) را نشان می‌دهد؟ (خروجی شمارنده به ترتیب A پرارزش‌ترین و D کم‌ارزش‌ترین بیت است).



۹۸- تعداد Essential Prime Implicant (EPI) ها در تابع زیر چند می‌باشد و چه است؟

$$f(a, b, c, d) = \sum_m (0, 1, 2, 3, 5, 7, 8, 10, 14, 15)$$

- (۱) یکی 0XX1 (۲) یکی X0X0 (۳) دو تا X0X0 و 0XX1 (۴) دو تا X0X0 و 111X

۹۹- یک ماشین حالت دارای دو ورودی a و b و یک خروجی w است. پس از چهار clk اگر ورودی‌ها به ترتیب برابر 01, 10, 11 باشد، خروجی مدار برای مدت یک Clock Cycle کامل ۱ می‌شود. برای ساختن این مدار چند جدول کارنو و با چه تعداد متغیر مورد نیاز است؟

- (۱) چهار جدول کارنوی ۴ متغیری
 (۲) چهار جدول کارنوی ۳ متغیری
 (۳) دو جدول کارنوی ۴ متغیری و یک جدول کارنوی ۳ متغیری
 (۴) سه جدول کارنوی ۵ متغیری و یک جدول کارنوی ۳ متغیری

۱۰۰- اگر در شکل زیر تمام بافرهای مورد استفاده از نوع **Open Collector** باشند، مقادیر مینی‌موم و ماکزیموم مقاومت **R** به ترتیب چقدر است؟ (مشخصات تراشه‌ی بافر به قرار زیر است.)

$$V_{IH} = 2.6V, I_{IH} = 50\mu A, V_{IL} = 0.6V,$$

$$I_{leakage} = 100\mu A, I_{OL} = 4mA$$



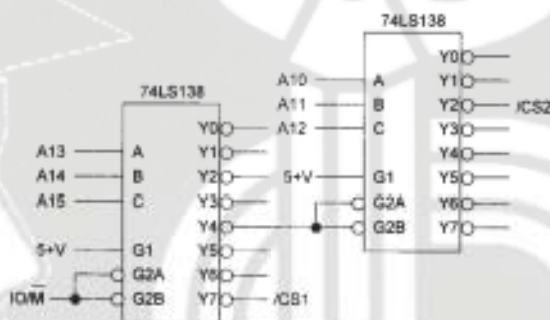
(۱) ۱ کیلو اهم، ۴ کیلو اهم

(۲) ۱ کیلو اهم، ۶ کیلو اهم

(۳) ۱۰۰ اهم، ۴ کیلو اهم

(۴) ۱۰۰ اهم، ۶ کیلو اهم

۱۰۱- در مدار زیر **CS1** و **CS2** به ترتیب در چه محدوده‌ی آدرسی فعال می‌شوند؟



(۲) 8400H-87FFH, E000H-FFFFH

(۴) D400H-D7FFH, B000H-CFFFH

(۱) 8400H-87FFH, B000H-CFFFH

(۳) D400H-D7FFH, E000H-FFFFH

۱۰۲- در یک سیستم میکرو پروسسوری پس از ورود یک اینترپت مشخصات اینترپت به صورت یک ID که آغاز **ISR** را تعیین می‌کند، به میکرو پروسور داده می‌شود. به این نوع اینترپت چه می‌گویند؟

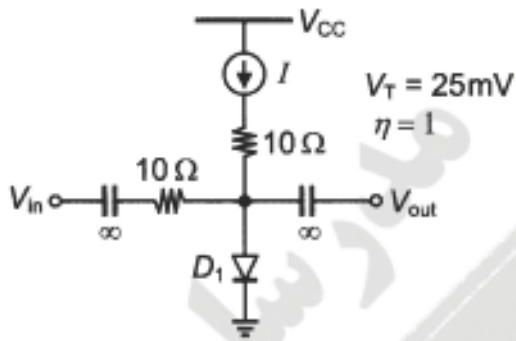
(۴) Software Interrupt

(۳) Daisy-Chain

(۲) Polling

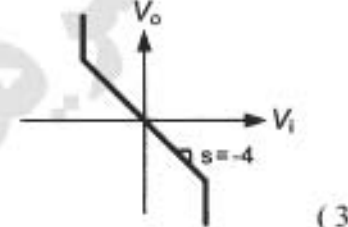
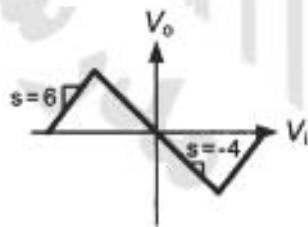
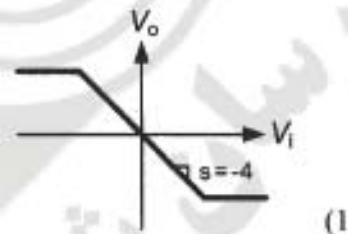
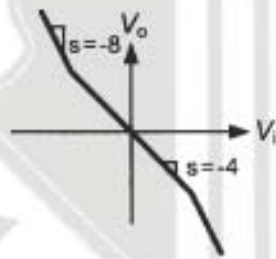
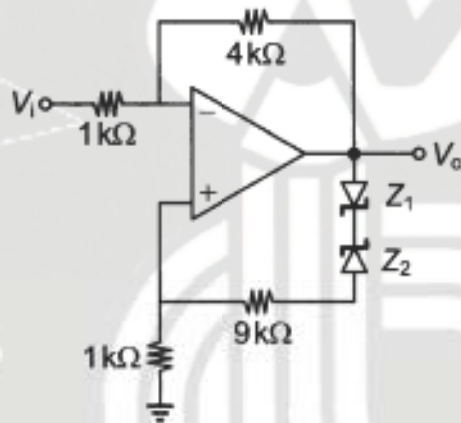
(۱) Vectored

۱۰۳- منبع جریان I بین صفر تا 10 mA قابل تنظیم است. محدوده تغییرات $A_v = \frac{V_o}{V_i}$ به کدام گزینه نزدیکتر است؟

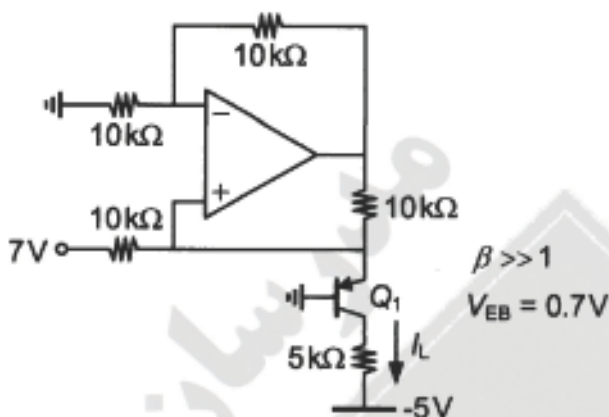


- (۱) $0.2 \leq A_v \leq 0.5$
- (۲) $0 \leq A_v \leq 0.5$
- (۳) $0 \leq A_v \leq 0.9$
- (۴) $0.2 \leq A_v \leq 1$

۱۰۴- در مدار مقابل V_p دیودهای زنر برابر 0.7 V و $V_z = 4.3\text{ V}$ بوده و آپ امپ ایده آل فرض می شود. کدام یک از گزینه های زیر می تواند منحنی مشخصه مدار باشد؟

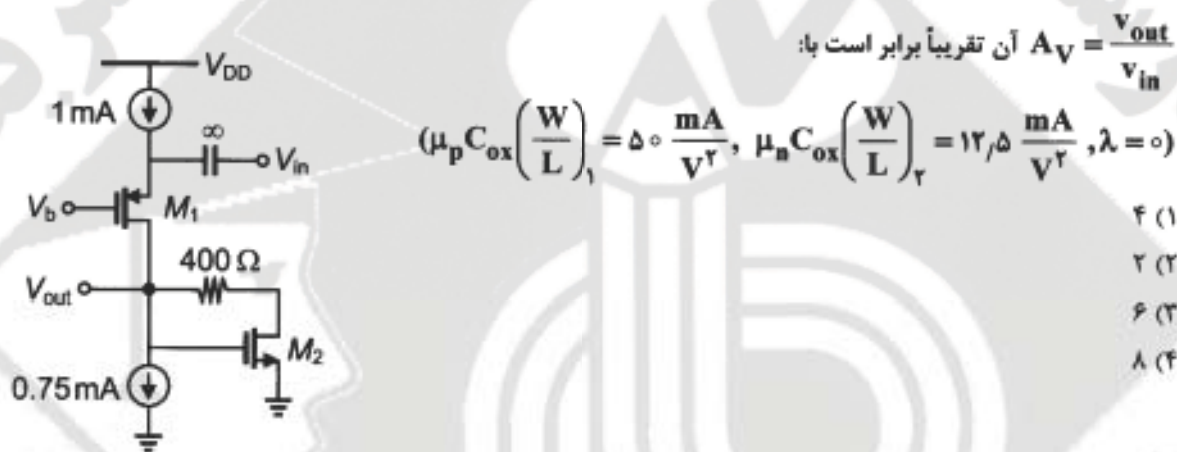


۱-۵- جریان بار I_L در مدار داده شده چند میلی آمپر است؟



- (۱) ۰٫۶۳
- (۲) ۰٫۵۶
- (۳) ۰٫۷۰
- (۴) ۰٫۸

۱-۶- در مدار شکل زیر همه ترانزیستورها در ناحیه اشباع بایاس شده‌اند و منابع جریان ایده‌آل هستند. مقدار بهره ولتاژ



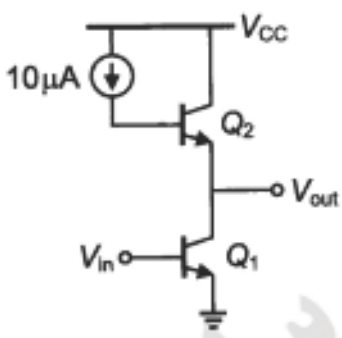
- (۱) ۴
- (۲) ۲
- (۳) ۶
- (۴) ۸

۱-۷- در مدار شکل مقابل، مساحت پیوند بیس - امیتر ترانزیستور Q_2 ، ۲ برابر Q_3 است و ترانزیستورهای Q_1 و Q_3 ابعاد یکسان دارند. اگر Q_3 و Q_1 در ناحیه اشباع بایاس شده باشند، هدایت انتقالی (g_m) ترانزیستور Q_1 چقدر است؟



- (۱) $\frac{2-\sqrt{2}}{R}$
- (۲) $\frac{2}{R}$
- (۳) $\frac{2\sqrt{2}-1}{R}$
- (۴) $\frac{2(2-\sqrt{2})}{R}$

۱۰۸- در مدار شکل زیر همه ترانزیستورها در ناحیه فعال بایاس شده‌اند و منبع جریان ایده‌آل است. مقدار بهره ولتاژ

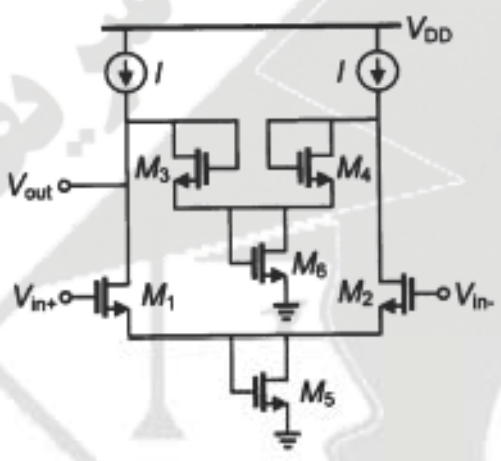


آن تقریباً برابر است با: $A_v = \frac{v_{out}}{v_{in}}$

$(\beta = 100, V_A = 10 V, V_T = 25 mV)$

- (۱) -۲
- (۲) -۲۰۰
- (۳) -۴۰۰
- (۴) -۱

۱۰۹- در تقویت کننده تفاضلی شکل زیر، منابع جریان ایده‌آل، و ترانزیستورهای M_1 و M_2 در ناحیه اشباع بایاس شده‌اند. مقدار نسبت رد حالت مشترک (CMRR) چقدر است؟



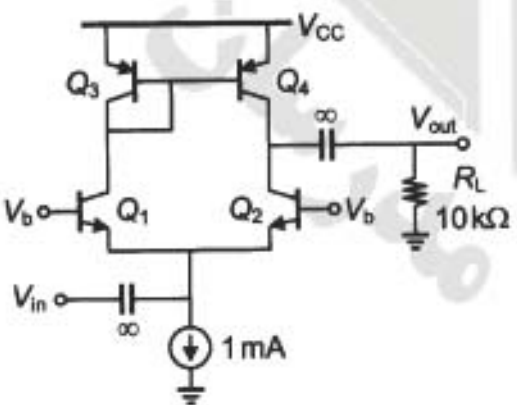
$g_{m_{1,2}} = g_{m_{\phi}} = 1 \frac{mA}{V}, g_{m_{\Delta}} = g_{m_{\Sigma, \phi}} = 2 \frac{mA}{V}$

- (۱) ۰٫۴
- (۲) ۰٫۲۵
- (۳) ۰٫۲
- (۴) ۰٫۵

۱۱۰- در مدار شکل زیر همه ترانزیستورها در ناحیه فعال بایاس شده‌اند و منبع جریان ایده‌آل است. مقدار بهره ولتاژ

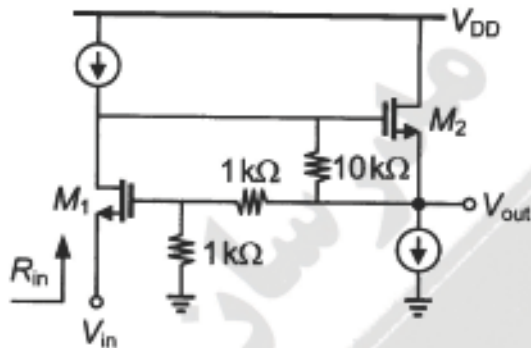
آن تقریباً چقدر است؟ $A_v = \frac{v_{out}}{v_{in}}$ (همه ترانزیستورها یکسان هستند). $(\beta = 40, V_A = \infty, V_T = 25 mV)$

- (۱) ۲۰۰
- (۲) ۲۰
- (۳) ۱۰
- (۴) ۴۰۰



۱۱۱- در شکل مقابل منابع جریان ایده‌آل هستند. مقاومت ورودی تقویت کننده بر حسب کیلو اهم به کدام گزینه زیر نزدیکتر

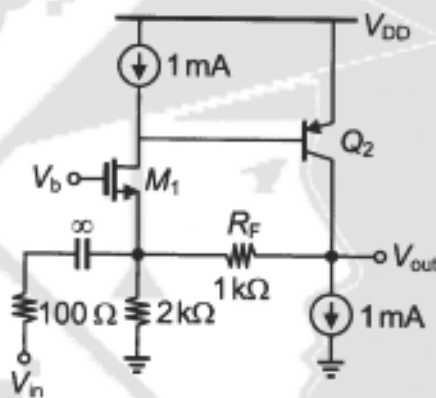
است؟ $(g_{m1} = \frac{1}{2} \frac{mA}{V}, g_{m2} = 1 \frac{mA}{V}, \lambda = 0)$



- (۱) $\frac{28}{3}$
- (۲) $\frac{6}{3}$
- (۳) $\frac{6}{19}$
- (۴) $\frac{24}{3}$

۱۱۲- در مدار شکل زیر همه ترانزیستورها در ناحیه فعال بایاس شده‌اند و منابع جریان ایده‌آل هستند. مقدار بهره ولتاژ

$A_v = \frac{V_{out}}{V_{in}}$ آن تقریباً چقدر است؟ $(\beta = 100, V_A = \infty, V_T = 25 mV, V_{GS1} - V_{TH} = 0.2 V, \lambda = 0)$

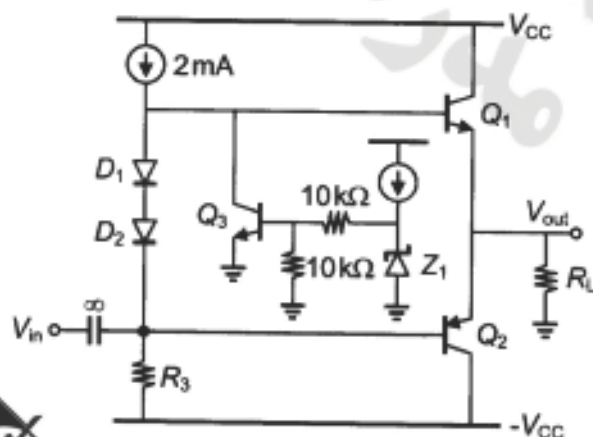


- (۱) -9.8
- (۲) -19.6
- (۳) -39.2
- (۴) -4.9

۱۱۳- در مدار تقویت کننده توان شکل زیر دیود زنر Z_1 مستقیماً در تماس حرارتی با ترانزیستورهای Q_1 و Q_2 است و

ترانزیستور Q_2 خیلی دورتر از بقیه مدار قرار گرفته است. در چه دمایی (بر حسب $^{\circ}C$) جریان تحویل داده شده به بار R_L صفر خواهد بود؟

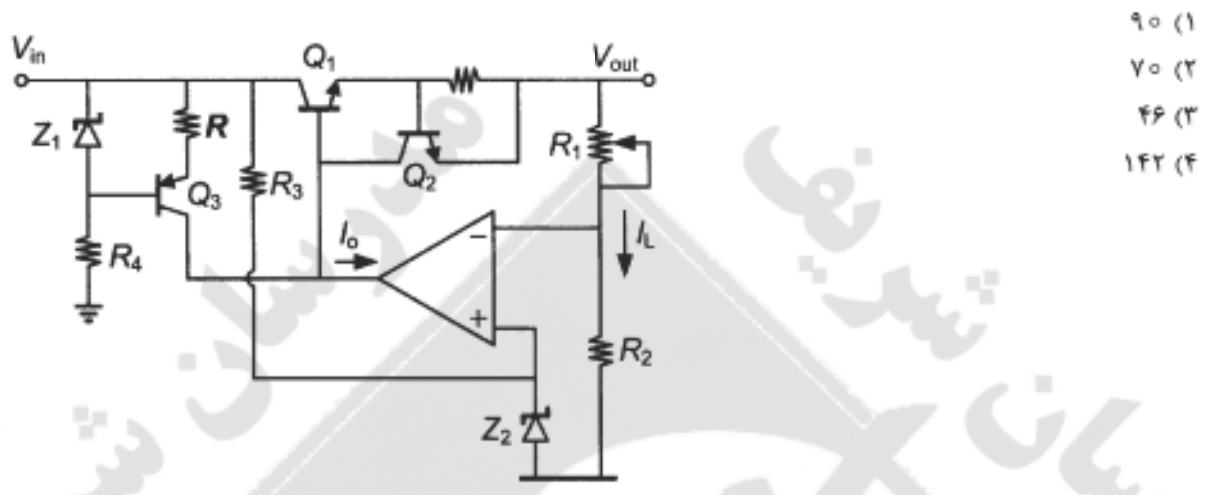
$I_{S_T} = 2 \times 10^{-15} A, V_{BE_T} = 50 mV \log \left(\frac{I_{C_T}}{I_{S_T}} \right), \beta_T = \infty, V_{Z_1} (25^{\circ}C) = 1 V, \frac{\Delta V_{Z_1}}{\Delta T} = +2 \frac{mV}{^{\circ}C}$



- (۱) ۱۰۰
- (۲) ۱۲۵
- (۳) ۱۵۰
- (۴) ۷۵

۱۱۲- رگولاتور زیر برای ولتاژ خروجی $12V \rightarrow 3$ طراحی شده است. حداکثر جریان بار $1A$ است. مقدار R تقریباً چند اهم است؟ (جریان حداقل OP-AMP معادل $10mA$ انتخاب شود.)

$(V_{BE} = 0.6V, \beta = 50, I_{o,min} = 10mA, V_{Z1} = 2V, V_{Z2} = 3V)$



- ۹۰ (۱)
- ۷۰ (۲)
- ۴۶ (۳)
- ۱۴۲ (۴)

ماشین های الکتریکی ۱ و ۲

۱۱۵- یک موتور القایی سه فاز ۶ قطب با فرکانس اسمی $(50Hz)$ با سرعت $970rpm$ می‌چرخد. توان ورودی موتور $48kW$ است. در این شرایط تلفات مسی استاتور $1/4kW$ و تلفات هسته آن $1/6kW$ است. تلفات اهمی روتور چند وات است؟

- ۱,۳۵ (۱)
- ۱,۴۰ (۲)
- ۱,۳۹ (۳)
- ۱,۴۴ (۴)

۱۱۶- یک موتور القایی سه فاز چهار قطبی مفروض است. این موتور از یک منبع سینوسی با فرکانس $50Hz$ تغذیه می‌شود. سیم‌پیچی موتور به گونه‌ای است که هارمونیک‌های پنجم و هفتم فضایی نیز در فاصله بین روتور و استاتور وجود دارد. سرعت نسبی میدان‌های گردشی ناشی از هارمونیک‌های پنجم و هفتم فضایی چند rpm (دور در دقیقه) است؟

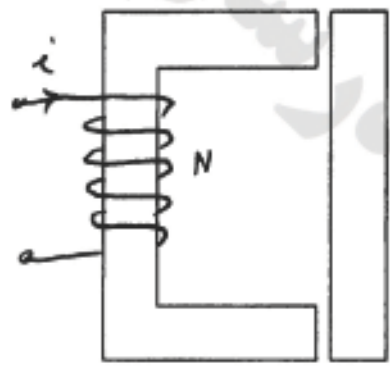
- ۵۱۴ (۱)
- ۲۱۴ (۲)
- ۳۰۰ (۳)
- ۸۶ (۴)

۱۱۷- در یک موتور القایی، امپدانس حالت سکون هر فاز روتور برابر از $1+ j$ اهم است. گشتاور ماکزیمم آن ۳ برابر گشتاور نامی است. لغزش نامی موتور چقدر است؟ از امپدانس استاتور صرف نظر کنید.

- ۰,۴۱۴ (۱)
- ۰,۲۶۸ (۲)
- ۰,۳۲۴ (۳)
- ۰,۱۷۲ (۴)

۱۱۸- یک ولتاژ سینوسی به معادله $v = V_m \sin 2\pi f$ بر سیم پیچی N دوری و بدون تلف مدار شکل مقابل اعمال شده و در نتیجه پیک جریان گذرنده از آن I_m آمپر و پیک چگالی فلو در هسته B_m شده طول هر یک از فواصل هوایی دو برابر، و در همان حال سطح مقطع هسته نصف می‌شود و سپس ولتاژ $v = 2V_m \sin 4\pi f$ به همان سیم پیچی N دوری اعمال می‌شود. مقادیر جدید پیک‌های جریان و چگالی فلو در هسته چقدر است؟ افت آهن، نشت فلو و پراکندگی در فواصل هوایی قابل چشم پوشی هستند؟

- $4I_m$ و $4B_m$ (۱)
- $2I_m$ و $4B_m$ (۲)
- $4I_m$ و $2B_m$ (۳)
- $2I_m$ و $2B_m$ (۴)



۱۱۹- دو سیم پیچ با هسته هوایی به فاصله x و با محورهای مغناطیسی همراستا دارای پارامترهای زیرند:

$$L_{11} = 0,5H, L_{22} = 0,1H, L_{12} = L_{21} = 0,2e^{-Tx}$$

$$i_1 = 1 \sin(\Delta \circ \pi t + \frac{\pi}{3}) \text{ و } i_2 = \sin(\Delta \circ \pi t + \frac{\pi}{6}) \text{ است. مقدار متوسط نیروی بین دو سیم پیچ چند نیوتن است؟}$$

(۱) $-4e^{-Tx}$ (۲) $-e^{-Tx}$ (۳) $-2e^{-Tx}$ (۴) صفر

۱۲۰- یک ژنراتور شنت بی بار با سرعت n_1 چرخانده شده و ولتاژ v_1 تولید می کند. مقاومت میدان شنت حدود نصف مقدار مقاومت بحرانی در سرعت n_2 است. اگر سرعت ژنراتور ۵٪ کاهش داده شود آن گاه:

- (۱) ولتاژ خروجی دقیقاً ۵٪ افت می کند.
- (۲) ولتاژ خروجی بیش از ۵٪ افت می کند.
- (۳) ولتاژ خروجی کمتر از ۵٪ افت می کند.
- (۴) ولتاژ خروجی حدود ۵٪ افت می کند و جهت تغییر مشخص نیست.

۱۲۱- یک موتور سری با مدار مغناطیسی خطی از یک منبع ولتاژ ثابت تغذیه شده و تحت بار I آمپر کار می کند. مقاومت سیم پیچی سری R_s است. اگر یک مقاومت $2R_s$ اهمی با سیم پیچی میدان موازی شده و همزمان گشتاور بار نیز نصف شود، مقدار جدید جریان چقدر می شود؟

(۱) $\sqrt{\frac{2}{3}}$ (۲) $\frac{2}{\sqrt{3}}$ (۳) $\sqrt{\frac{3}{2}}$ (۴) $\frac{\sqrt{3}}{2}$

۱۲۲- یک موتور شنت با ولتاژ تغذیه ثابت بی بار کار می کند. مدار مغناطیسی ماشین خطی فرض می شود. برای آن که سرعت موتور تقریباً نصف شود کدام یک از گزینه های زیر صحیح است؟

- (۱) با مقاومت میدان ثابت، ولتاژ اعمالی به موتور نصف شود.
- (۲) با ولتاژ اعمالی ثابت، مقاومت میدان دو برابر شود.
- (۳) ولتاژ اعمالی به موتور نصف و مقاومت میدان دو برابر شود.
- (۴) با ولتاژ اعمالی ثابت، مقاومت میدان نصف شود.

۱۲۳- یک موتور جریان مستقیم 250 ولت 500 دور در دقیقه ای با تحریک جداگانه دارای مقاومت آرمیچر $3/3$ اهم و جریان آرمیچر 60 آمپر به ازای گشتاور و شار اسمی موتور است. اگر شار تحریک را ثابت نگاه داریم و گشتاوری برابر گشتاور اسمی (بار کامل) به ماشین وارد کنیم (ورودی) سرعت چند دور در دقیقه خواهد شد؟

(۱) $577,6$ (۲) $532,4$ (۳) $564,6$ (۴) $335,7$

۱۲۴- نتایج آزمون اتصال کوتاه یک ترانسفورماتور $200kVA, 20kV/220V$ از سمت فشارقوی به صورت زیر است:

$$V = 800V, I = 10A, P = 800W$$

چه مقدار توان اکتیو از ترمینال $220V$ ترانسفورماتور کشیده شود تا حداکثر تنظیم ولتاژ ترانسفورماتور در نیمی از بار بر حسب kW حداکثر گردد؟

(۱) 5 (۲) 15 (۳) 10 (۴) 20

۱۲۵- در یک ترانسفورماتور تک فاز $100kVA$ ، امپدانس شاخه سری بر حسب پریونیت برابر $0,04 + j0,01$ است. ضریب توان بی باری این ترانسفورماتور، تحت ولتاژ و فرکانس نامی برابر $0,9$ است. راندمان ماکزیمم این ترانسفورماتور در بار نامی رخ می دهد. جریان بی باری ترانسفورماتور چند درصد جریان نامی آن است؟

(۱) 12 (۲) 5 (۳) 10 (۴) 3

۱۲۶- توان اندازه گیری شده در آزمایش مدار باز یک ترانسفورماتور برابر با P_{oc} و توان اندازه گیری شده در آزمایش اتصال کوتاه آن برابر با P_{sc} است. حداکثر توان ظاهری تحویلی به بار در بازده ماکزیمم نسبت به توان ظاهری نامی ترانسفورماتور برابر است با:

(۱) $\sqrt{\frac{P_{oc}}{P_{sc}}}$ (۲) $\frac{P_{sc}}{P_{oc}}$ (۳) $\sqrt{\frac{P_{sc}}{P_{oc}}}$ (۴) $\frac{P_{oc}}{P_{sc}}$

۱۲۷- صفحه $y = 0$ دو ماده مغناطیسی همگن را از یکدیگر جدا می‌سازد. در $y > 0$ ضریب نفوذپذیری نسبی $\mu_{r1} = 2$ و در $y < 0$ ، $\mu_{r2} = 3$ می‌باشد. اگر در $y < 0$ میدان مغناطیسی $\vec{B} = \mu_0(\hat{x} + \hat{y} + \hat{z})$ باشد، بردار مغناطیس شدگی \vec{M} در ناحیه $y > 0$ کدام است؟

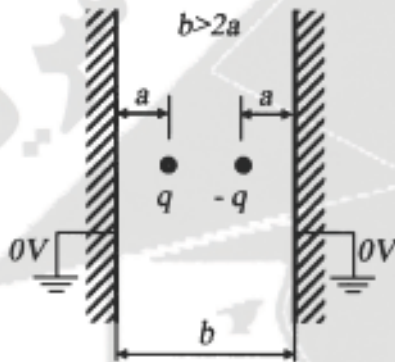
$$(1) \frac{1}{2}\hat{x} + \frac{1}{2}\hat{y} + \frac{1}{3}\hat{z}$$

$$(2) \frac{1}{3}\hat{x} + \frac{1}{3}\hat{y} + \frac{1}{2}\hat{z}$$

$$(3) \frac{1}{3}\hat{x} + \frac{1}{2}\hat{y} + \frac{1}{3}\hat{z}$$

$$(4) \frac{1}{2}\hat{x} + \frac{1}{3}\hat{y} + \frac{1}{2}\hat{z}$$

۱۲۸- مطابق شکل دو بار نقطه ای q و $-q$ در فاصله a از دو صفحه رسانای موازی و نامحدود که فاصله آن‌ها از یکدیگر b می‌باشد قرار دارند. اندازه بارکل القاء شده روی هر یک از دو صفحه رسانا کدام است؟



$$(1) \frac{b-2a}{b}q$$

$$(2) \frac{b-a}{b}q$$

$$(3) \frac{b-2a}{2a}q$$

$$(4) \frac{2b-a}{2a}q$$

۱۲۹- استوانه توپری از جنس یک ماده مغناطیسی رسانا با ضریب نفوذپذیری نسبی $\mu_r = 4\pi$ در دست است. محور این استوانه بر محور z منطبق می‌باشد. شعاع استوانه a طول آن بی‌نهایت و کل جریان عبوری از آن در جهت \hat{z} برابر I است. بردار پتانسیل مغناطیسی \vec{A} با فرض یکنواخت بودن توزیع جریان در داخل استوانه کدام است؟ فرض کنید در $r = a$ داشته باشیم $\vec{A} = 0$.

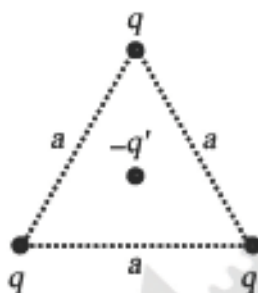
$$(1) \frac{\mu_0 I}{\pi} \left(1 - \frac{r^2}{a^2}\right) \hat{z}$$

$$(2) \mu_0 I \left(1 - \frac{r^2}{a^2}\right) \hat{z}$$

$$(3) \frac{\mu_0 I}{4} \left(1 - \frac{r^2}{a^2}\right) \hat{z}$$

$$(4) \frac{\mu_0 I}{4\pi} \left(1 - \frac{r^2}{a^2}\right) \hat{z}$$

۱۳۰- سه بار نقطه‌ای q در رئوس یک مثلث متساوی الاضلاع به ضلع a قرار دارند. یک ذره بار دار به جرم m و بار q' در مرکز مثلث قرار دارد. اگر این ذره را به مقدار بسیار کوچکی در راستای عمود بر صفحه مثلث جابه جا و رها کنیم، پیروی نوسانات آن در این راستا چقدر خواهد بود؟



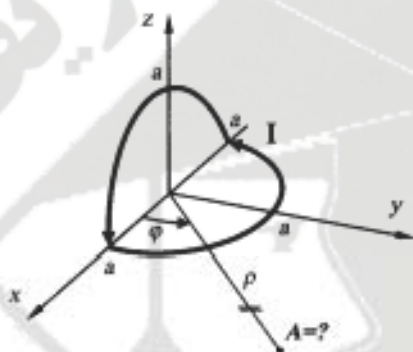
$$\frac{4\pi}{3} \sqrt{\frac{\pi \epsilon_0 m a^3}{\sqrt{3} q q'}} \quad (1)$$

$$\frac{4\pi}{9} \sqrt{\frac{\pi \epsilon_0 m a^3}{q q'}} \quad (2)$$

$$\frac{4\pi}{9} \sqrt{\frac{\pi \sqrt{3} \epsilon_0 m a^3}{q q'}} \quad (3)$$

$$\frac{4\pi}{3} \sqrt{\frac{\pi \sqrt{3} \epsilon_0 m a^3}{q q'}} \quad (4)$$

۱۳۱- جریان مستقیم I مطابق شکل در یک مدار بسته شامل دو نیم دایره عمود بر هم جاری است. پتانسیل برداری $\vec{A}(\rho, \phi, z=0)$ در فواصل خیلی دور از مدار و در صفحه $z=0$ کدام است؟



$$\frac{\mu_0 I a^2}{\lambda \rho^2} [(\hat{y} - \hat{z}) \cos \phi - \hat{x} \sin \phi] \quad (1)$$

$$\frac{\mu_0 I a^2}{\lambda \rho^2} [(\hat{y} + \hat{z}) \sin \phi + \hat{x} \cos \phi] \quad (2)$$

$$\frac{\mu_0 I a^2}{\lambda \rho^2} [(\hat{y} - \hat{z}) \sin \phi - \hat{x} \cos \phi] \quad (3)$$

$$\frac{\mu_0 I a^2}{\lambda \rho^2} [(\hat{y} + \hat{z}) \cos \phi + \hat{x} \sin \phi] \quad (4)$$

۱۳۲- یک کره عایق به شعاع a متر، به مرکز مبدأ مختصات و با حساسیت الکتریکی $\chi = 3$ (Susceptibility) در فضای خالی قرار دارد. دویار نقطه‌ای $q = 4C$ یکی در محل $(r, \theta, \phi) = (1, 0, 0)$ و دیگری در محل $(r, \theta, \phi) = (1, \pi, 0)$. در داخل کره عایق قرار گرفته‌اند. کل بار سطحی مقید (bound) روی نیمی از سطح جانبی کره عایق به ازای $0 \leq \theta \leq \frac{\pi}{2}$ چند کولن است؟

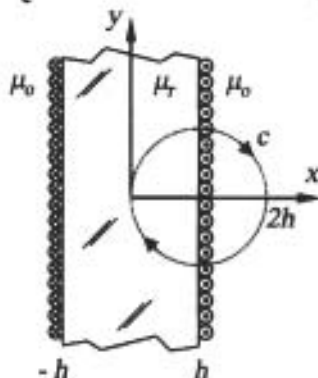
$$2 \quad (1)$$

$$6 \quad (2)$$

$$4 \quad (3)$$

$$3 \quad (4)$$

۱۳۳- ناحیه $|x| < h$ همانند شکل توسط یک تیغه با ضریب نفوذپذیری نسبی $\mu_r = 3$ پر شده است. در حالی که فضای اطراف این تیغه خالی است. حال توسط منابع مناسب روی صفحه $x=h$ جریان الکتریکی سطحی با چگالی $K_0 \hat{z}$ و روی صفحه $x=-h$ جریان الکتریکی سطحی با چگالی $-K_0 \hat{z}$ برقرار می‌شود. در این صورت حاصل انتگرال خط $\oint_C \vec{B} \cdot d\vec{l}$ روی مسیر



دایروی بسته به c به شعاع h در جهت نشان داده شده در شکل کدام است؟

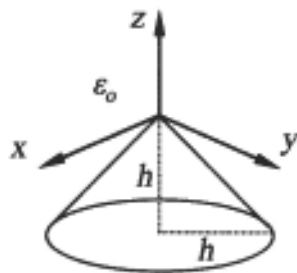
$$-\mu_0 K_0 h \quad (1)$$

$$-6\mu_0 K_0 h \quad (2)$$

$$-3\mu_0 K_0 h \quad (3)$$

$$-2\mu_0 K_0 h \quad (4)$$

۱۳۴- یک فضای مخروطی به شعاع قاعده h و ارتفاع h مطابق شکل از دو قطبی‌های الکتریکی با بردار پلاریزاسیون ثابت $P\hat{z}$ در امتداد محور مخروط پر شده است. پتانسیل الکتریکی در مبدأ مختصات کدام است؟



$$\frac{Ph}{4\epsilon_0} (3\sqrt{2} - 2) \quad (1)$$

$$\frac{Ph}{2\epsilon_0} (2 - \sqrt{2}) \quad (2)$$

$$\frac{Ph}{2\epsilon_0} (3\sqrt{2} - 2) \quad (3)$$

$$\frac{Ph}{4\epsilon_0} (2 - \sqrt{2}) \quad (4)$$

۱۳۵- یک کره به شعاع R از یک ماده مغناطیسی با ضریب نفوذپذیری نسبی $\mu_r = 4$ مفروض است. همانند شکل فضای اطراف کره خالی است و مرکز کره بر مبدأ مختصات منطبق است. روی کره سیم‌پیچ نازکی وجود که با عبور جریان مستقیم از آن جریان سطحی الکتریکی با چگالی $\vec{K} = K_0 \sin\theta \hat{\phi}$ بر روی سطح کره بر قرار شده و کره مغناطیس می‌شود. در این صورت

چگالی جریان سطحی مقید \vec{K}_m معادل مغناطیس شدگی کره در $\theta = \frac{\pi}{4}$ کدام است؟



$$-K_0 \hat{\phi} \quad (1)$$

$$-\frac{K_0}{2} \hat{\phi} \quad (2)$$

$$+\frac{K_0}{2} \hat{\phi} \quad (3)$$

$$+K_0 \hat{\phi} \quad (4)$$

۱۳۶- ناحیه $d < x < 2d$ از عایقی با ضریب گذردهی غیر یکنواخت به صورت $\epsilon(x) = 4\epsilon_0 x / d$ پر شده است. اگر پتانسیل الکتریکی در صفحه $x = d$ و $x = 2d$ به ترتیب صفر و V_0 باشد، آنگاه تابع پتانسیل الکتریکی در ناحیه $d < x < 2d$ کدام است؟

$$V_0 \left(\frac{x}{d} - 1 \right) \quad (1)$$

$$V_0 \frac{1}{\ln 2} \ln \frac{x}{d} \quad (2)$$

$$\frac{V_0}{\ln\left(\frac{2}{3}\right)} \ln\left(\frac{4x}{3d} - \frac{1}{3}\right) \quad (3)$$

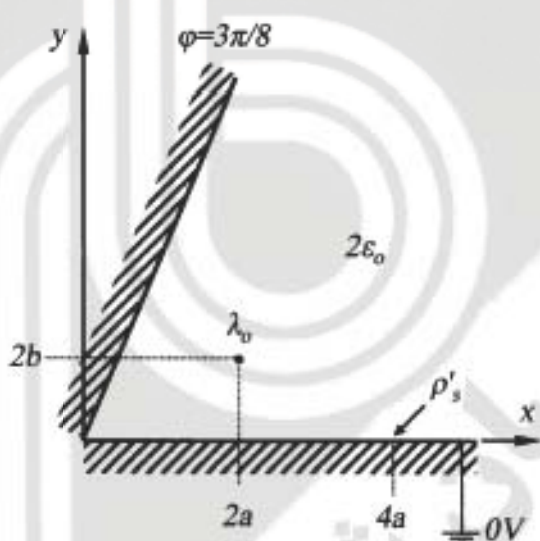
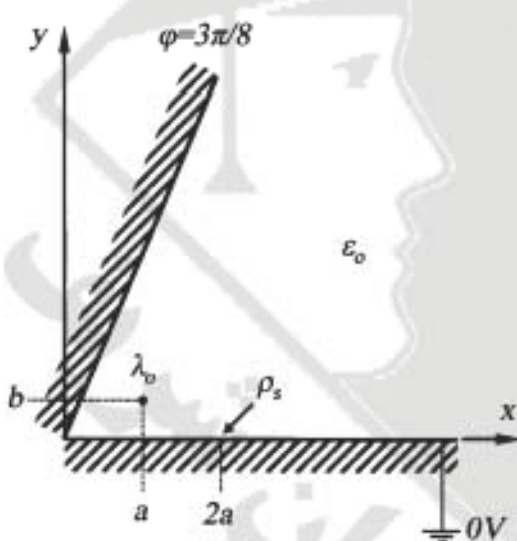
$$\frac{V_0}{2} \left(\left(\frac{x}{d} \right)^2 - 1 \right) \quad (4)$$

۱۳۷- یک دو قطبی بی‌نهایت کوچک مغناطیسی با گشتاور $m_1 \hat{z}$ واقع در مبدأ مختصات بر دو قطبی مغناطیسی بی‌نهایت کوچک با گشتاور $m_2 \hat{y}$ که در فاصله d خیلی دور از آن در امتداد نیمساز ربع اول صفحه yz قرار دارد چه گشتاوری وارد می‌کند؟

- (۱) $-\frac{\mu_0 m_1 m_2}{\lambda \sqrt{2} \pi d^3} (\hat{y} + \hat{z})$
- (۲) $-\frac{\mu_0 m_1 m_2}{\lambda \sqrt{2} \pi d^3} \hat{x}$
- (۳) $-\frac{\sqrt{2} \mu_0 m_1 m_2}{\lambda \pi d^3} \hat{x}$
- (۴) $+\frac{\mu_0 m_1 m_2}{\lambda \sqrt{2} \pi d^3} (\hat{y} + \hat{z})$

۱۳۸- دو مسأله شکل زیر را در نظر بگیرید. در هر دو مسأله صفحات $\phi = 0$ و $\phi = \frac{3\pi}{8}$ صفحات رسانای زمین شده (با پتانسیل صفر ولت) هستند. در مسأله اول یک بار خطی یکنواخت با چگالی ثابت λ_0 به موازات محور z از نقطه $(x, y) = (a, b)$ و در مسأله دوم همین توزیع بار خطی از نقطه $(x, y) = (2a, 2b)$ می‌گذرد. اگر در مسأله اول چگالی بار سطحی القاء شده روی صفحه رسانا در محل $(x, y, z) = (2a, 0, 0)$ و در مسأله دوم چگالی بار سطحی القاء شده روی صفحه رسانا در محل $(x, y, z) = (4a, 0, 0)$ باشد، آنگاه نسبت ρ'_s / ρ_s کدام است؟ دقت شود که ضریب گذردهی در مسأله دوم دو برابر این ضریب در مسأله اول فرض می‌شود.

- (۱) $\frac{1}{4}$
- (۲) $\frac{1}{2}$
- (۳) 1
- (۴) $\frac{1}{2}$



۱۳۹- از سنسور استرین گیج مدار روبرو برای اندازه‌گیری حرکت قفسه سینه مطابق شکل استفاده شده است. اگر در اثر دم بیمار شعاع قفسه سینه ۱۰٪ افزایش یابد و ضریب گیج این استرین گیج $G = 80$ ، حساسیت سیستم اندازه‌گیری (ولت/کیلوام) $S = 0,05$ و پل در ابتدا در حال تعادل باشد مقدار R چند کیلو اهم است؟



- ۸ (۱)
- ۱۰ (۲)
- ۲۰ (۳)
- ۱۲ (۴)

۱۴۰- یک دماسنج دیجیتال پزشکی از ترمیستور به عنوان سنسور دما استفاده می‌کند. این ترمیستور دارای ثابت $\beta = 3100^\circ\text{K}$ است. در صورتی که در اثر تغییر دما مقاومت ترمیستور به ۸۵ درصد مقدار آن در دمای نرمال بدن (۳۷ درجه سلسیوس) کاهش یابد دمای محل اندازه‌گیری دماسنج به طور تقریبی چند درجه کلوین است؟ (فرض کنید که تغییرات مقاومت ترمیستور در اثر سایر پارامترها به غیر از دما ناچیز باشد) (دمای مرجع استاندارد همان دمای نرمال بدن است).

- ۳۰۱ (۱)
- ۳۰۵,۵ (۲)
- ۳۱۹ (۳)
- ۳۱۴,۵ (۴)

۱۴۱- در یک غشاء سلولی که یون Cl^- را عبور می‌دهد ولی Ca^{++} را عبور نمی‌دهد، غلظت CaCl_2 در طرف راست غشاء 100mmol و در طرف چپ آن 50mmol است. اگر این غشاء به حالت تعادل رسیده باشد اختلاف پتانسیل طرف راست نسبت به طرف چپ آن چند میلی ولت است؟

- $-26\text{Ln}2$ (۱)
- $-13\text{Ln}2$ (۲)
- $26\text{Ln}2$ (۳)
- $13\text{Ln}2$ (۴)

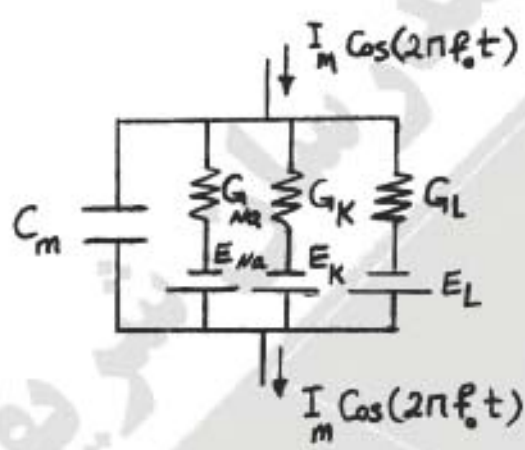
۱۴۲- یک تقویت‌کننده تفاضلی با $\text{CMRR} = 114\text{dB}$ برای تقویت سیگنال ECG لید I بکار رفته است. در شرایط معمول که سیگنال القایی برق شهر بطور متقارن روی بدن توزیع می‌شود (V_c). دامنه آن در خروجی به اندازه $\frac{1}{1000}$ دامنه سیگنال لید I (V_I) است. اگر به علتی مقدار α درصد از سیگنال القایی برق شهر به طور نامتقارن (تفاضلی) در ورودی تقویت‌کننده ظاهر شود، دامنه سیگنال برق شهر در خروجی تا ۱۰ برابر سیگنال V_I افزایش می‌یابد. در این شرایط مقدار α چند درصد است؟ ($\log_{10} 2 = 0,3$)

- ۴ (۱)
- ۲ (۲)
- ۰,۵ (۳)
- ۱ (۴)

۱۴۳- برای تحریک یک سلول عصبی از یک منبع جریان متناوب با فرکانس f_0 در آکسون آن سلول استفاده می‌کنیم. اگر مقادیر زیر مدل هاپکین هاکسلی این آکسون را در حالت استراحت نشان دهد، کدام فرکانس f_0 برحسب هرتز برای تحریک این سلول عصبی قطعاً مناسب نیست؟

- (۱) 1
 (۲) 10
 (۳) 1000
 (۴) 100

$G_L = 0.267 \frac{m\Omega}{cm^2}$, $G_{Na} = 0.010 \frac{m\Omega}{cm^2}$, $G_K = 0.290 \frac{m\Omega}{cm^2}$, $C_m = 1 \frac{\mu f}{cm^2}$ (نشتی)

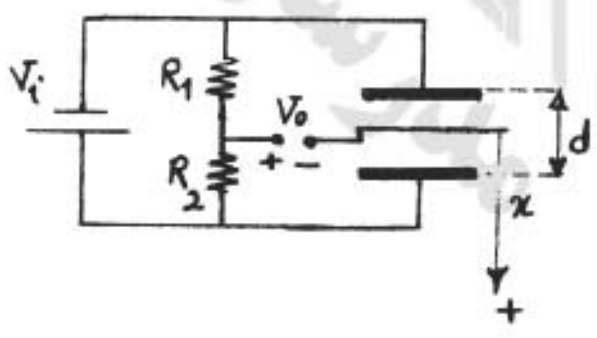


۱۴۴- تصویر بردار قلبی (\vec{M}) روی هر یک از سه جهت مشخص شده در مثلث آینتهون اندازه و ولتاژهای سه‌گانه ECG (سه کانال I و II و III) را مطابق شکل مشخص می‌کند. کدام یک از روابط زیر اندازه بردار قلبی (\vec{M}) را تعیین می‌نماید؟



- (۱) $\sqrt{\frac{4}{3}(I' - II + III')}$
 (۲) $\sqrt{\frac{4}{3}(I' + II + III')}$
 (۳) $\sqrt{\frac{4}{3}(II' + III + III')}$
 (۴) $\sqrt{\frac{4}{3}(II' - III + III')}$

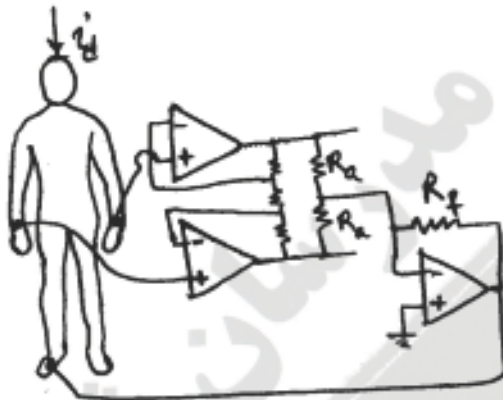
۱۴۵- از یک خازن تفاضلی برای سنجش تغییر مکان در مداری به شکل مقابل استفاده شده است. صفحات ثابت خازن تفاضلی به اندازه d از هم فاصله دارند و در حالت تعادل ($x = 0$) صفحه متحرک درست در وسط دو صفحه ثابت قرار گرفته است. $R_1 = R_2 = R$ مقاومت‌های ثابت هستند. نسبت ولتاژ خروجی به جابه‌جایی x چقدر است؟



- (۱) $\frac{V_i}{d}$
 (۲) $\frac{V_i}{\gamma d}$
 (۳) $-\frac{V_i}{\gamma d}$
 (۴) $-\frac{V_i}{d}$

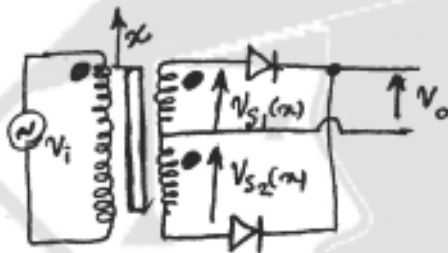
۱۴۹- برای ثبت سیگنال لید I قلبی مدار روبرو را در نظر بگیرید. اگر میزان جریان ناشی به سر بیمار $i_0 = 2,5 \mu A$ و امپدانس اتصال الکتروود با پوست در تمام اتصالات برابر $20 K\Omega$ باشد جهت داشتن حداکثر ولتاژ مشترک برابر با $10 \mu V$ مقدار R_0 و R_1 به ترتیب از راست به چپ چند کیلو اهم و مگا اهم خواهد بود؟

- (۱) ۵.۱
- (۲) ۷,۵.۱
- (۳) ۷,۵.۰۳
- (۴) ۵.۰۳



۱۵۰- در مدار LVDT شکل مقابل، ورودی متناوب سینوسی تمام موج است و دامنه ولتاژ کوپل‌های بالایی و پایینی به صورت تابعی از میزان جابه‌جایی (x) به ترتیب $V_{s1}(x) = 2^{x+1}$ ، $V_{s2}(x) = 2^{1-x}$ است. اگر میزان جابه‌جایی هسته LVDT از حالت تعادل ($V_0 = 0$) باشد مقدار RMS ولتاژ خروجی چند ولت می‌شود؟

- (۱) $\frac{5}{2}$
- (۲) $2\sqrt{2}$
- (۳) $\frac{5\sqrt{2}}{2}$
- (۴) $\frac{\sqrt{17}}{2}$



به اطلاع داوطلبان شرکت کننده در آزمون کارشناسی ارشد سال 1391 می‌رساند که کلید اولیه اولیه سؤالات بر روی سایت سازمان سنجش قرار گرفته است. این کلید اولیه غیر قابل استناد است. پس از دریافت نظرات داوطلبان و صاحب-نظران کلید نهایی سؤالات تهیه و بر اساس آن کارنامه داوطلبان استخراج خواهد شد. از این رو، داوطلبان در صورت تمایل می-توانند تا تاریخ 90/12/15 با مراجعه به سایت سازمان سنجش از طریق [سیستم اینترنتی ارسال درخواست](#) نسبت به تکمیل فرمی که برای دریافت این نظرات آماده گردیده است، اقدام نمایند. لازم به ذکر است نظرات داوطلبان فقط از طریق اینترنت دریافت خواهد شد و به موارد ارسالی از طریق دیگر رسیدگی نخواهد گردید. با توجه به اینکه بعد از تاریخ 90/12/15 نظرات جمع-آوری و کلید اولیه نهایی ساخته خواهد شد، هیچ تجدیدنظری پس از این تاریخ قابل بررسی نخواهد بود.

گروه امتحانی	شماره پاسخنامه	نوع دفترچه	نام رشته امتحانی	کد رشته امتحانی
فنی و مهندسی	1	A	مجموعه مهندسی برق	1251

شماره سوال	گزینه صحیح	شماره سوال	گزینه صحیح	شماره سوال	گزینه صحیح	شماره سوال	گزینه صحیح
1	3	26	2	51	1	76	2
2	1	27	4	52	2	77	4
3	4	28	1	53	3	78	3
4	2	29	2	54	1	79	1
5	4	30	3	55	4	80	2
6	2	31	2	56	3	81	3
7	1	32	1	57	1	82	3
8	3	33	3	58	3	83	1
9	3	34	2	59	2	84	3
10	4	35	4	60	4	85	1
11	4	36	3	61	4	86	4
12	1	37	4	62	4	87	4
13	3	38	1	63	1	88	2
14	2	39	3	64	1	89	2
15	2	40	4	65	2	90	4
16	4	41	1	66	3	91	3
17	1	42	2	67	3	92	4
18	1	43	4	68	3	93	2
19	4	44	1	69	2	94	3
20	3	45	3	70	2	95	1
21	2	46	3	71	1	96	2
22	3	47	2	72	1	97	4

23	4	48	4	73	4	98	3
24	3	49	2	74	4	99	4
25	2	50	4	75	1	100	1

شماره سوال	گزینه صحیح	شماره سوال	گزینه صحیح	شماره سوال	گزینه صحیح	شماره سوال	گزینه صحیح
101	1	131	1	161		191	
102	2	132	2	162		192	
103	4	133	4	163		193	
104	2	134	2	164		194	
105	3	135	2	165		195	
106	2	136	4	166		196	
107	4	137	3	167		197	
108	2	138	3	168		198	
109	1	139	3	169		199	
110	1	140	3	170		200	
111	3	141	4	171		201	
112	3	142	2	172		202	
113	2	143	4	173		203	
114	1	144	1	174		204	
115	4	145	1	175		205	
116	4	146	1	176		206	
117	1	147	4	177		207	
118	3	148	1	178		208	
119	2	149	4	179		209	
120	2	150	3	180		210	
121	1	151		181		211	
122	1	152		182		212	
123	4	153		183		213	
124	3	154		184		214	
125	2	155		185		215	
126	4	156		186		216	
127	3	157		187		217	
128	1	158		188		218	
129	4	159		189		219	
130	1	160		190		220	

شماره سوال	گزینه صحیح	شماره سوال	گزینه صحیح	شماره سوال	گزینه صحیح	شماره سوال	گزینه صحیح
221		251		281		311	
222		252		282		312	
223		253		283		313	
224		254		284		314	
225		255		285		315	
226		256		286		316	

227	257	287	317
228	258	288	318
229	259	289	319
230	260	290	320
231	261	291	
232	262	292	
233	263	293	
234	264	294	
235	265	295	
236	266	296	
237	267	297	
238	268	298	
239	269	299	
240	270	300	
241	271	301	
242	272	302	
243	273	303	
244	274	304	
245	275	305	
246	276	306	
247	277	307	
248	278	308	
249	279	309	
250	280	310	

گروه امتحاني	شماره پاسخنامه	نوع دفترچه	نام رشته امتحاني	کد رشته امتحاني
فني و مهندسي	1	B	مجموعه مهندسي برق	1251

شماره سوال	گزینه صحيح	شماره سوال	گزینه صحيح	شماره سوال	گزینه صحيح	شماره سوال	گزینه صحيح
1	4	26	2	51	1	76	2
2	1	27	3	52	4	77	4
3	3	28	1	53	3	78	1
4	2	29	2	54	1	79	4
5	3	30	4	55	4	80	2
6	2	31	3	56	3	81	3
7	1	32	1	57	1	82	3
8	4	33	2	58	3	83	4
9	4	34	3	59	1	84	3
10	3	35	4	60	4	85	4
11	3	36	2	61	4	86	1
12	1	37	4	62	4	87	1
13	4	38	1	63	2	88	2

14	2	39	2	64	2	89	2
15	2	40	4	65	1	90	1
16	3	41	1	66	3	91	3
17	1	42	3	67	1	92	2
18	1	43	2	68	1	93	4
19	3	44	1	69	2	94	3
20	4	45	3	70	2	95	1
21	2	46	3	71	3	96	4
22	4	47	4	72	3	97	4
23	3	48	2	73	4	98	3
24	4	49	4	74	4	99	2
25	2	50	2	75	3	100	1

شماره سوال	گزینه صحیح	شماره سوال	گزینه صحیح	شماره سوال	گزینه صحیح	شماره سوال	گزینه صحیح
101	1	131	2	161		191	
102	4	132	1	162		192	
103	2	133	4	163		193	
104	2	134	1	164		194	
105	3	135	1	165		195	
106	2	136	4	166		196	
107	3	137	3	167		197	
108	2	138	3	168		198	
109	1	139	1	169		199	
110	1	140	1	170		200	
111	4	141	4	171		201	
112	4	142	2	172		202	
113	2	143	4	173		203	
114	1	144	3	174		204	
115	4	145	3	175		205	
116	4	146	3	176		206	
117	1	147	4	177		207	
118	2	148	3	178		208	
119	3	149	4	179		209	
120	3	150	1	180		210	
121	1	151		181		211	
122	1	152		182		212	
123	4	153		183		213	
124	2	154		184		214	
125	3	155		185		215	
126	4	156		186		216	
127	2	157		187		217	
128	1	158		188		218	
129	4	159		189		219	
130	2	160		190		220	

شماره سوال	گزینه صحیح	شماره سوال	گزینه صحیح	شماره سوال	گزینه صحیح	شماره سوال	گزینه صحیح
221		251		281		311	
222		252		282		312	
223		253		283		313	
224		254		284		314	
225		255		285		315	
226		256		286		316	
227		257		287		317	
228		258		288		318	
229		259		289		319	
230		260		290		320	
231		261		291			
232		262		292			
233		263		293			
234		264		294			
235		265		295			
236		266		296			
237		267		297			
238		268		298			
239		269		299			
240		270		300			
241		271		301			
242		272		302			
243		273		303			
244		274		304			
245		275		305			
246		276		306			
247		277		307			
248		278		308			
249		279		309			
250		280		310			

گروه امتحانی	شماره پاسخنامه	نوع دفترچه	نام رشته امتحانی	کد رشته امتحانی
فنی و مهندسی	1	C	مجموعه مهندسی برق	1251

شماره سوال	گزینه صحیح	شماره سوال	گزینه صحیح	شماره سوال	گزینه صحیح	شماره سوال	گزینه صحیح
1	3	26	1	51	4	76	2
2	2	27	4	52	2	77	2
3	4	28	2	53	3	78	3
4	1	29	1	54	4	79	1
5	4	30	3	55	1	80	2
6	1	31	2	56	3	81	4
7	2	32	4	57	1	82	4
8	3	33	3	58	3	83	1
9	3	34	2	59	2	84	4
10	4	35	1	60	1	85	1
11	4	36	3	61	1	86	3
12	2	37	1	62	4	87	3
13	3	38	1	63	4	88	2
14	1	39	3	64	4	89	2
15	1	40	1	65	2	90	3
16	4	41	4	66	3	91	2
17	2	42	2	67	3	92	4
18	2	43	1	68	3	93	3
19	4	44	4	69	4	94	2
20	3	45	3	70	4	95	1
21	1	46	3	71	1	96	3
22	3	47	2	72	1	97	4
23	4	48	1	73	2	98	2
24	3	49	2	74	4	99	4
25	1	50	1	75	1	100	1

شماره سوال	گزینه صحیح	شماره سوال	گزینه صحیح	شماره سوال	گزینه صحیح	شماره سوال	گزینه صحیح
101	1	131	3	161		191	
102	3	132	1	162		192	
103	4	133	4	163		193	
104	2	134	2	164		194	
105	3	135	2	165		195	
106	1	136	4	166		196	
107	4	137	1	167		197	
108	1	138	1	168		198	
109	2	139	3	169		199	
110	2	140	3	170		200	
111	3	141	1	171		201	
112	3	142	2	172		202	
113	1	143	1	173		203	
114	2	144	4	174		204	

115	4	145	4	175	205
116	4	146	4	176	206
117	2	147	1	177	207
118	3	148	4	178	208
119	2	149	1	179	209
120	1	150	3	180	210
121	2	151		181	211
122	2	152		182	212
123	4	153		183	213
124	3	154		184	214
125	1	155		185	215
126	4	156		186	216
127	1	157		187	217
128	3	158		188	218
129	4	159		189	219
130	3	160		190	220

شماره سوال	گزینه صحیح	شماره سوال	گزینه صحیح	شماره سوال	گزینه صحیح	شماره سوال	گزینه صحیح
221		251		281		311	
222		252		282		312	
223		253		283		313	
224		254		284		314	
225		255		285		315	
226		256		286		316	
227		257		287		317	
228		258		288		318	
229		259		289		319	
230		260		290		320	
231		261		291			
232		262		292			
233		263		293			
234		264		294			
235		265		295			
236		266		296			
237		267		297			
238		268		298			
239		269		299			
240		270		300			
241		271		301			
242		272		302			
243		273		303			
244		274		304			
245		275		305			
246		276		306			

247
248
249
250

277
278
279
280

307
308
309
310

گروه امتحاني	شماره پاسخنامه	نوع دفترچه	نام رشته امتحاني	کد رشته امتحاني
فني و مهندسي	1	D	مجموعه مهندسي برق	1251

شماره سوال	گزینه صحيح	شماره سوال	گزینه صحيح	شماره سوال	گزینه صحيح	شماره سوال	گزینه صحيح
1	2	26	3	51	1	76	2
2	1	27	4	52	2	77	3
3	4	28	1	53	4	78	4
4	3	29	3	54	1	79	1
5	4	30	2	55	2	80	3
6	3	31	2	56	3	81	2
7	1	32	4	57	1	82	2
8	2	33	3	58	3	83	1
9	2	34	2	59	2	84	2
10	4	35	1	60	2	85	1
11	4	36	3	61	2	86	4
12	1	37	1	62	4	87	4
13	2	38	1	63	1	88	3
14	3	39	3	64	1	89	3
15	3	40	1	65	4	90	4
16	4	41	4	66	3	91	3
17	1	42	2	67	4	92	4
18	1	43	2	68	4	93	1
19	4	44	1	69	2	94	3
20	2	45	4	70	2	95	1
21	3	46	4	71	1	96	2
22	2	47	2	72	1	97	4
23	4	48	3	73	3	98	3
24	2	49	2	74	4	99	4
25	3	50	3	75	1	100	2

شماره سوال	گزینه صحيح	شماره سوال	گزینه صحيح	شماره سوال	گزینه صحيح	شماره سوال	گزینه صحيح
101	2	131	1	161		191	
102	1	132	4	162		192	
103	4	133	2	163		193	
104	2	134	4	164		194	
105	3	135	4	165		195	

106	1	136	2	166	196
107	4	137	3	167	197
108	2	138	3	168	198
109	3	139	4	169	199
110	3	140	4	170	200
111	1	141	3	171	201
112	1	142	2	172	202
113	2	143	3	173	203
114	3	144	1	174	204
115	1	145	1	175	205
116	1	146	1	176	206
117	4	147	3	177	207
118	3	148	1	178	208
119	2	149	3	179	209
120	2	150	4	180	210
121	4	151		181	211
122	4	152		182	212
123	1	153		183	213
124	3	154		184	214
125	2	155		185	215
126	1	156		186	216
127	3	157		187	217
128	1	158		188	218
129	2	159		189	219
130	1	160		190	220

شماره سوال	گزینه صحیح	شماره سوال	گزینه صحیح	شماره سوال	گزینه صحیح	شماره سوال	گزینه صحیح
221		251		281		311	
222		252		282		312	
223		253		283		313	
224		254		284		314	
225		255		285		315	
226		256		286		316	
227		257		287		317	
228		258		288		318	
229		259		289		319	
230		260		290		320	
231		261		291			
232		262		292			
233		263		293			
234		264		294			
235		265		295			
236		266		296			
237		267		297			

238		268		298			
239		269		299			
240		270		300			
241		271		301			
242		272		302			
243		273		303			
244		274		304			
245		275		305			
246		276		306			
247		277		307			
248		278		308			
249		279		309			
250		280		310			