



قدم به قدم، همراه دانشجو...

WWW.GhadamYar.Com

جامع ترین و به روزترین پرتال آزمونهای شغلی کشور (پرتال دانش) با ارائه خدمات رایگان، آموزشی، راهنمای آزمونهای شغلی و... برای دانشجویان

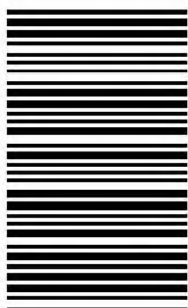
- ۱) راهنمای آزمون های حقوقی به همراه دفترچه سوالات سالهای گذشته ( رایگان ) شامل آزمونهای وکالت ( اسکودا و مشاوران قوه ) ، قضاوت ، اختبار، سردفتری، دفتریاری و ...
- ۲) راهنمای آزمون های کارشناسان رسمی دادگستری به همراه سوالات سالهای گذشته (رایگان)
- ۳) راهنمای آزمون های نظام مهندسی به همراه دفترچه سوالات سالهای گذشته ( رایگان )
- ۴) ارائه جزوات و منابع رایگان برای آمادگی در آزمونهای شغلی
- ۵) آخرین اخبار آزمونهای شغلی، از خبرگزاری های پربازدید
- ۶) معرفی روش های مقاله و پایان نامه نویسی و ارائه پکیج های آموزشی مربوطه
- ۷) ارائه سوالات کنکور مقاطع مختلف سالهای گذشته، همراه پاسخ، به صورت رایگان
- ۸) معرفی آموزشگاه های معتبر جهت آزمونهای شغلی
- ۹) ....



کد کنترل

5355

C



535C

## آزمون ورودی دوره‌های کارشناسی ارشد ناپیوسته داخل - سال ۱۴۰۱

صبح پنج‌شنبه

۱۴۰۱/۰۲/۲۹



جمهوری اسلامی ایران  
وزارت علوم، تحقیقات و فناوری  
سازمان سنجش آموزش کشور

«اگر دانشگاه اصلاح شود مملکت اصلاح می‌شود.»  
امام خمینی (ره)

### مهندسی برق (کد ۱۲۵۱)

زمان پاسخ‌گویی: ۲۷۰ دقیقه

تعداد سؤال: ۱۳۸

جدول مواد امتحانی، تعداد و شماره سؤال‌ها

ردیف	مواد امتحانی	تعداد سؤال	از شماره	تا شماره
۱	زبان عمومی و تخصصی (انگلیسی)	۳۰	۱	۳۰
۲	ریاضیات (معادلات دیفرانسیل، ریاضیات مهندسی، آمار و احتمال)	۱۵	۳۱	۴۵
۳	مدارهای الکتریکی (۲و۱)	۱۵	۴۶	۶۰
۴	الکترونیک (۲و۱) و سیستم‌های دیجیتال ۱	۱۵	۶۱	۷۵
۵	ماشین‌های الکتریکی (۲و۱) و تحلیل سیستم‌های انرژی الکتریکی ۱	۱۵	۷۶	۹۰
۶	سیستم‌های کنترل خطی	۱۲	۹۱	۱۰۲
۷	سیگنال‌ها و سیستم‌ها	۱۲	۱۰۳	۱۱۴
۸	الکترومغناطیس *	۱۲	۱۱۵	۱۲۶
۹	مقدمه‌ای بر مهندسی پزشکی *	۱۲	۱۲۷	۱۳۸

\* برای داوطلبان رشته مهندسی پزشکی، انتخاب یکی از این دو درس اجباری است.

این آزمون نمره منفی دارد.

استفاده از ماشین حساب مجاز نیست.

حق چاپ، تکثیر و انتشار سؤال‌ها به هر روش (الکترونیکی و...) پس از برگزاری آزمون، برای همه اشخاص حقیقی و حقوقی تنها با مجوز این سازمان مجاز می‌باشد و با متخلفان برابر مقررات رفتار می‌شود.



\* متقاضی گرامی، وارد نکردن مشخصات و امضا در کادر زیر، به منزله غیبت و حضور نداشتن در جلسه آزمون است.

اینجانب ..... با شماره داوطلبی ..... با آگاهی کامل، یکسان بودن شماره سندلی خود را با شماره داوطلبی مندرج در بالای کارت ورود به جلسه، بالای پاسخنامه و دفترچه سؤالها، نوع و کد کنترل درج شده بر روی دفترچه سؤالها و پایین پاسخنامهام را تأیید می‌نمایم.

امضا:

زبان عمومی و تخصصی (انگلیسی):

### PART A: Vocabulary

*Directions: Choose the word or the phrase (1), (2), (3), or (4) that best completes the blank. Then mark the correct choice on your answer sheet.*

- 1- The rising death toll is ----- largely to the growing number of elderly people, who are especially vulnerable to the flu.  
1) converted                      2) transferred                      3) attributed                      4) debilitated
- 2- The couple were finally ----- by the landlord after not paying their rent for six months.  
1) elicited                      2) evacuated                      3) extended                      4) evicted
- 3- We have a ----- clientele in our language program, with students from Asia, Europe and South America.  
1) diverse                      2) haphazard                      3) complex                      4) symmetrical
- 4- But the possibility of these adversaries acting like friends, despite their long-standing ----- and mutual dislike, is on the horizon.  
1) advocacy                      2) justification                      3) rivalry                      4) inclination
- 5- Debating that aliens exist cannot be deemed an ----- truth as we have yet to see proof of their existence.  
1) insensitive                      2) incontrovertible                      3) unintelligible                      4) unforeseeable
- 6- The girls wanted to set the table, but they were more of a ----- than a help.  
1) hindrance                      2) pretension                      3) compliment                      4) thrill
- 7- The government is to consult the attorney general on whether the enacting of such a law would be in ----- of the constitution.  
1) rationalization                      2) caprice                      3) provenance                      4) breach
- 8- Someone once joked that man blames most accidents on -----, but feels a more personal responsibility when he makes a hole-in-one on the golf course.  
1) verdict                      2) fate                      3) legality                      4) charge
- 9- The trial collapsed when it became clear that the main witness for the prosecution was not -----.  
1) singular                      2) conjectural                      3) credible                      4) subjective
- 10- The rising number of minority inmates in prison only goes to ----- the stereotype that members of minority groups are bad people.  
1) downplay                      2) perpetuate                      3) overlook                      4) belie

**PART B: Cloze Passage**

*Directions: Read the following passage and decide which choice (1), (2), (3), or (4) best fits each space. Then mark the correct choice on your answer sheet.*

Fuel cell electric vehicles emit only water vapor and warm air, (11) ----- no tailpipe emissions. Similar to electricity, hydrogen is an energy carrier that can be produced from various feedstocks. These feedstocks and production methods should be considered when (12) -----.

Argonne National Laboratory's (ANL) report, *Fuel Choices for Fuel Cell Vehicles: Well-to-Wheels Energy and Emission Impacts*, analyzed greenhouse gas (GHG) (13) ----- 10 of the most common hydrogen production and distribution pathways. ANL found that gaseous hydrogen produces (14) ----- GHGs than liquid hydrogen in most cases. ANL also investigated hydrogen's effects on petroleum use and found that using hydrogen as a fuel (15) ----- petroleum use by nearly %100 regardless of fuel production pathway.

- |     |                                   |                  |                                       |                   |
|-----|-----------------------------------|------------------|---------------------------------------|-------------------|
| 11- | 1) that produces                  | 2) producing     | 3) produce                            | 4) to produce     |
| 12- | 1) evaluating hydrogen emissions  |                  | 2) hydrogen emissions evaluated       |                   |
|     | 3) to evaluate hydrogen emissions |                  | 4) for hydrogen emissions to evaluate |                   |
| 13- | 1) it is emitted as               | 2) to be emitted | 3) emissions for                      | 4) is emitted for |
| 14- | 1) as little                      | 2) fewer of      | 3) less of                            | 4) fewer          |
| 15- | 1) reduced                        | 2) to reduce     | 3) reduction                          | 4) that reduces   |

**PART C: Reading Comprehension**

*Directions: Read the following three passages and answer the questions by choosing the best choice (1), (2), (3), or (4). Then mark the correct choice on your answer sheet.*

**PASSAGE 1:**

Solar power has been getting more efficient to use and cheaper to acquire. But beyond the clean energy and the neighborhood bragging rights, there's a lot more to solar. Here are some reasons many homeowners go solar:

Solar energy has environmental benefits. We're all leaving a carbon footprint, whether we like it or not. (Our carbon footprint is the damage done by our electricity usage, vehicle usage, and other carbon dioxide-emitting daily activities.) But we can't just stop driving our vehicles and powering our homes, so what can we do? We can replace our traditional electricity usage with clean solar energy that's better for the environment.

Furthermore, when you get solar, you pay less for power. And while every situation is different, there are multiple routes that can help increase your chances of saving money with solar. (Your savings opportunities will vary based on your location, available incentives, home size, power usage, and more.)

New research shows that buyers are willing to pay more for homes with rooftop solar panels. This may be due to sustainable practices becoming more widely sought-after. It's easy to see how appealing a solar home can be to a potential buyer: most of



the paperwork and all of the installation legwork has already been done, and the seller might already have a good idea of how much energy is being produced each month. While real estate agents, lenders, and appraisers are still trying to catch up with the industry\_and your home's total value depends on several factors\_it's a win-win for many solar homeowners.

Energy prices have been on the rise over the past several years, and it's not always certain if or when it's going to slow down. While you'll still use some electricity from your local electric utility, as needed, one advantage of having solar is that your energy costs are predictable. You'll have a straightforward finance plan with less surprises in the long run. And the more you can generate solar and use clean energy to power your home, the less you are dependent on your local electric utility.

- 16- **What does the passage mainly discuss?**  
 1) Challenges of solar energy for the utility  
 2) Why solar energy is used  
 3) Environmental benefits of using solar energy  
 4) The different uses of solar energy
- 17- **What does "it" refer to in the following sentence of the second paragraph?**  
**We're all leaving a carbon footprint, whether we like it or not.**  
 1) Carbon footprint  
 2) We're leaving a carbon footprint  
 3) Carbon  
 4) footprint
- 18- **Which of the following is not mentioned as a factor in the amount of benefit gotten from solar panel installation?**  
 1) initial investment value  
 2) prize for solar usage  
 3) house's place  
 4) electrical energy usage
- 19- **"sustainable" in this sentence is close in meaning to all of the following, EXCEPT -----:**  
**This may be due to sustainable practices becoming more widely sought-after.**  
 1) continual  
 2) green  
 3) temporary  
 4) viable
- 20- **According to the passage, which of the following is NOT mentioned as the reason why homeowners use solar energy?**  
 1) Solar panels can provide savings over time.  
 2) Solar panels can help protect against unexpected energy costs.  
 3) Solar energy is easy to harness.  
 4) Solar panels may increase your property's value.

**PASSAGE 2:**

Nowadays, the devices which are made by electrical engineers have come to different aspects of life, one of which is food tracking. People looking to track their diets and count their calories can choose from dozens of apps. But using the apps properly requires a lot of effort.

There's a huge problem with self-reporting. Imagine that you're passing by the kitchen at work and there's a bowl of strawberries, and you grab a couple. Are you going to pull out your smartphone and take a picture, then enter the information that you just ate three strawberries?

That's why researchers are developing passive devices that monitor eating behavior. As long as people wear the device, the tech takes care of the rest.



Researchers are experimenting with sensors that directly record food going into the mouth and down the gullet, and they hope to eventually turn their lab gizmos into commercial products.

One of these gadgets is the Automated Ingestion Monitor (AIM), which detects the muscle motions involved in every chew. The gadget clips onto a pair of eyeglasses, and it contains two sensors: a strain sensor that presses lightly against the temple to monitor the contractions of the temporal muscle, and an accelerometer that picks up the subtle movements of the jaw. When the system detects food intake, it triggers a tiny camera (also tucked into the gadget) to take a photo every few seconds, thus creating a time-stamped visual record of the food consumed. This gadget captures detailed information about a person's eating patterns: It measures how fast someone is eating, and how many chews they take for each bite.

Another gadget is the Dental Antenna, which is a tiny tooth-mounted device that can monitor people's consumption of all sorts of toothsome things, including salt, and sugar. The sensor is composed of an inner layer of polymer film sandwiched between two gold rings that act as antennas. When the film absorbs certain chemicals, it swells and pushes the gold rings apart. Each substance causes the film to thicken up to a different degree, so the distance between the gold rings indicates which chemical passed over the tooth. This system bounces radio waves off the tooth and records the spectrum and intensity of the wave that returns from the antenna. While salt and sugar are high on the list of problematic foods that consumers want to track, the sensor's film could theoretically be tuned to detect all manner of different comestibles.

- 21- **Based on the passage, why are the devices mentioned in the passage preferred for diet tracking?**
- 1) Because they can be used to detect many aspects of the food.
  - 2) Because they are made by electrical engineers.
  - 3) Because using these devices, people will manually report their food intake.
  - 4) Because people are reluctant to use active devices.
- 22- **Which one cannot be measured by the sensors of the Automated Ingestion Monitor?**
- 1) temperature      2) acceleration      3) pressure      4) strain
- 23- **Which one is closest in meaning to "trigger" in the following sentence of the fourth paragraph:**  
**When the system detects food intake, it triggers a tiny camera (also tucked into the gadget) to take a photo every few seconds, thus creating a time-stamped visual record of the food consumed.**
- 1) accelerate      2) halt      3) actuate      4) charge
- 24- **The Dental Antenna is installed on the -----.**
- 1) temporal area      2) tooth      3) glasses      4) tongue
- 25- **Which of the following statements is true based on the passage?**
- 1) The Automated Ingestion Monitor sends data to the smartphone via Bluetooth.
  - 2) The Dental Antenna can measure how fast somebody is eating.
  - 3) The gadget that detects muscle motions clips onto a headband with two sensors.
  - 4) The Dental Antenna can recognize different characteristics of food.



**PASSAGE 3:**

Self-driving cars rely on artificial intelligence to work. The 2010s were a great decade for AI. We saw big advances in translation, speech generation, computer vision and object recognition, and game-playing. AI used to have a hard time identifying dogs in pictures; now that's a trivial task.

It's this progress in AI that drove the optimistic predictions for self-driving cars in the mid-2010s. Researchers anticipated that we could build on the amazing gains they'd seen (and are still seeing) in other arenas.

But when it came to self-driving cars, the limitations of those gains became very apparent. Even with extraordinary amounts of time, money, and effort invested, no team could figure out how to have AI solve a real-world problem: navigating our roads with the high degree of reliability needed.

Much of the problem is the need for lots of training data. The ideal way to train a self-driving car would be to show it billions of hours of footage of real driving, and use that to teach the computer good driving behavior. Modern machine learning systems do really well when they have abundant data, and very poorly when they have only a little bit of it. But collecting data for self-driving cars is expensive. And since some events are rare\_witnessing a car accident ahead, say, or encountering debris on the road\_it's possible for the car to be out of its depth because it has encountered a situation so infrequently in its training data.

Carmakers have tried to get around this in lots of ways. They've driven more miles. They've trained the cars in simulations. They sometimes engineer specific situations so that they can get more training data about those situations for the cars. And they are getting closer. Waymo cars do roam the streets with no one behind the wheel. If all goes well, they may expand to more cities later this year. Self-driving cars have the potential to take people out of high-risk working environments and streamline our industries. However, it's a hard problem, and progress has been slow.

- 26- **What can be the title of this passage?**
- 1) What does a world with self-driving cars look like?
  - 2) Why is it taking longer than expected to get self-driving cars on the road?
  - 3) How exactly do self-driving cars work?
  - 4) What role does policy play in the development of self-driving cars?
- 27- **According to the author, what is the main reason reliable navigation of the roads has not been met yet?**
- 1) AI cannot solve real world problems.
  - 2) Investment on this technology was insufficient.
  - 3) We need lots of training data.
  - 4) AI technology has not improved enough.
- 28- **For collecting enough data for self-driving cars, engineers have done the following EXCEPT -----.**
- 1) using more modern cars
  - 2) engineering some of the driving situations
  - 3) training the cars in simulations
  - 4) driving more in the training stage

- 29- What is the antonym for “streamline”?  
 Self-driving cars have the potential to take people out of high-risk working environments and streamline our industries.  
 1) integrate                      2) revise                      3) consolidate                      4) sophisticate
- 30- All the following are true, EXCEPT -----.  
 1) AI cannot identify dogs in pictures.  
 2) Efficiency of modern machine learning systems rely on the number of training data available.  
 3) It is not easy to collect data for self-driving cars.  
 4) A lot of effort has been dedicated to using AI for solving how to navigate the roads.

ریاضیات (معادلات دیفرانسیل، ریاضیات مهندسی، آمار و احتمال):

۳۱- به ازای کدام مقدار مثبت  $a$ ، شعاع همگرایی پاسخ سری معادله دیفرانسیل  $(x^2 + a^2)y'' + 2xy' + 4x^2y = 0$  در

اطراف نقطه  $x = -\frac{3}{2}$  برابر  $R = \frac{5}{2}$  خواهد بود؟

- ۱ (۳)                      ۲ (۱)                      ۳ (۴)                      ۴ (۲)

۳۲- جواب عمومی معادله دیفرانسیل  $(x-y)^2 y' = 4$  کدام است؟

$$y = \frac{1}{2} \ln \left( \frac{x-y+2}{x-y-2} \right) + c \quad (1)$$

$$y = \ln \left( \frac{x-y+2}{x-y-2} \right) + c \quad (2)$$

$$y = \frac{1}{2} \ln \left( \frac{x-y-2}{x-y+2} \right) + c \quad (3)$$

$$y = \ln \left( \frac{x-y-2}{x-y+2} \right) + c \quad (4)$$

۳۳- جواب معادله انتگرال  $y' - 2y - 2 \int_0^x y(t) dt = u_{\tau}(x)$  با شرط اولیه  $y(0) = 0$ ، کدام است؟ ( $u$  تابع پله است.)

$$\frac{2\sqrt{17}}{17} u_{\tau}(t) e^{\frac{\tau t}{2}-\tau} \cosh \left( \frac{\sqrt{17}}{2} (t-\tau) \right) \quad (1)$$

$$\frac{2\sqrt{17}}{17} u_{\tau}(t) e^{\frac{\tau t}{2}-\tau} \sinh \left( \frac{\sqrt{17}}{2} (t-\tau) \right) \quad (2)$$

$$\frac{2\sqrt{17}}{17} u_{\tau}(t) e^{-\frac{\tau t}{2}+\tau} \cosh \left( \frac{\sqrt{17}}{2} (t-\tau) \right) \quad (3)$$

$$\frac{2\sqrt{17}}{17} u_{\tau}(t) e^{-\frac{\tau t}{2}+\tau} \sinh \left( \frac{\sqrt{17}}{2} (t-\tau) \right) \quad (4)$$



۳۴- لاپلاس وارون تابع  $F(s) = \frac{1}{s^2 \sqrt{2s+1}}$  برای  $t > \ln 2$  کدام گزینه است؟

(راهنمایی:  $\Gamma(x)$  تابع گاما است و  $\Gamma(\frac{1}{2}) = \sqrt{\pi}$ )

(۱)  $\frac{e^{-\frac{1}{2}(t-\ln 2)}}{\sqrt{2\pi t}}$

(۲)  $\frac{e^{-\frac{1}{2}(t-\ln 2)}}{\sqrt{2(t-\ln 2)}}$

(۳)  $\frac{e^{-\frac{t}{2}}}{\sqrt{\pi(t-\ln 2)}}$

(۴)  $\frac{e^{-\frac{t}{2}}}{\sqrt{2\pi(t-\ln 2)}}$

۳۵- جوابی از معادله دیفرانسیل  $xy'' + y' = 2x \ln x$  که منحنی آن از نقطه (۱,۱) عبور کرده و در نقطه  $x=0$  مقدار مشتق تابع محدود است، کدام است؟

(۱)  $x^2 \ln \frac{x}{e} + 2$

(۲)  $\frac{1}{2} x^2 \ln x + 1$

(۳)  $x^2 \ln x + 1$

(۴)  $\frac{1}{2} x^2 \ln \frac{x}{e} + \frac{3}{2}$

۳۶- مقدار اصلی انتگرال حقیقی زیر کدام است؟

$$\int_{-\infty}^{\infty} \frac{1}{(x^2+1)^2(x+2)} dx$$

(۲)  $\frac{7\pi}{25}$

(۴)  $\frac{7\pi}{50}$

(۱)  $-\frac{7\pi}{50}$

(۳)  $-\frac{7\pi}{25}$

۳۷- اگر  $0 < |z| < r$  ،  $\frac{e^z}{z^2 - 2z} = \sum_{n=0}^{\infty} a_n z^n + \sum_{n=1}^{\infty} b_n z^{-n}$  ، آنگاه برای بزرگترین مقدار  $r$  حاصل  $r(a_0 + 2a_1 + 3b_1)$  کدام است؟

(۲) -۳

(۴) -۴

(۱) -۵

(۳) -۷

۳۸- مسئله زیر دارای جوابی به صورت  $u(x,t) = \sum_{n=1}^{\infty} (G_n(t) \cos \alpha_n x + H_n(t) \sin \alpha_n x)$  است.  $\alpha_n$  در کدام

تساوی صدق می کند؟

$$\begin{cases} u_t - fu_{xx} = 0, & 0 < x < \pi, t > 0 \\ u(x, 0) = f(x), & 0 < x < \pi \\ \gamma u(0, t) - u_x(0, t) = 0, & t \geq 0 \\ u(\pi, t) = 0 \end{cases}$$

(۱)  $\alpha_n + \gamma \tan(\pi \alpha_n) = 0$

(۲)  $\gamma \alpha_n + \tan(\pi \alpha_n) = 0$

(۳)  $\alpha_n - \gamma \tan(\pi \alpha_n) = 0$

(۴)  $\gamma \alpha_n - \tan(\pi \alpha_n) = 0$

۳۹- اگر  $f(0) = \frac{\pi}{2}$  باشد و تابع زوج  $f(x)$  در معادله انتگرال زیر صدق کند، ضابطه  $f(x)$  کدام است؟

$$\int_0^{\infty} f(x) \cos(\alpha x) dx - \int_0^{\infty} x f(x) \sin(\alpha x) dx = 0$$

(۱)  $\frac{\pi}{2} \left( \frac{1}{1-x^2} \right)$  (۲)  $\frac{\pi}{2} \left( \frac{1}{1-x^4} \right)$  (۳)  $\frac{\pi}{2} \left( \frac{1}{1+x^4} \right)$  (۴)  $\frac{\pi}{2} \left( \frac{1}{1+x^2} \right)$

۴۰- معادله دیفرانسیل با مشتقات جزئی زیر برای  $u(x,y)$  با شرایط  $u(e, y) = 2$ ,  $u(e^{-1}, y) = -1$  را در نظر بگیرید. مقدار  $u(e^2, \frac{\pi}{3})$  کدام است؟

$$x^2 u_{xx} + x u_x + y^2 u = 0$$

(۱) -۲ (۲) ۱ (۳) ۲ (۴) -۱

۴۱- سه توپ مشابه با شماره‌های ۱ و ۲ و ۳ داخل یک جعبه قرار دارند. به صورت تصادفی یکی از توپ‌ها را از جعبه خارج و شماره آن را یادداشت کرده و دوباره توپ را به جعبه برمی گردانیم. فرایند خارج کردن توپ را تکرار می کنیم تا جایی که شماره تویی که خارج می شود، مشابه شماره‌ای باشد که قبلاً خارج شده است. اگر تعداد دفعاتی که فرایند خارج کردن توپ را انجام داده ایم با متغیر تصادفی  $X$  نمایش دهیم، میانگین  $X$  کدام است؟

(۱)  $\frac{24}{9}$  (۲)  $\frac{31}{9}$  (۳)  $\frac{17}{9}$  (۴)  $\frac{26}{9}$

۴۲- تابع چگالی احتمال متغیر تصادفی  $X$  به صورت زیر است:

$$f_X(x) = A e^{-x^2+x}$$

که  $A$  یک عدد ثابت است. واریانس متغیر تصادفی  $Y = 4X + 1$  کدام است؟

(۱) ۸

(۲) ۲

(۳) ۱۶

(۴) ۴



۴۳- متغیرهای تصادفی گسسته  $X$  و  $Y$  دارای تابع جرم‌های احتمالی  $P(X, Y)$  مطابق جدول زیر هستند. مقدار کوواریانس این دو متغیر تصادفی کدام است؟

$Y \backslash X$	۰	۱	۲
۰	$\frac{1}{16}$	$\frac{1}{8}$	$\frac{1}{16}$
۱	$\frac{1}{8}$	$\frac{1}{4}$	$\frac{1}{8}$
۲	$\frac{1}{8}$	$\frac{1}{8}$	۰

- (۱)  $-\frac{1}{2}$
- (۲)  $\frac{1}{2}$
- (۳)  $-\frac{1}{8}$
- (۴)  $\frac{1}{8}$

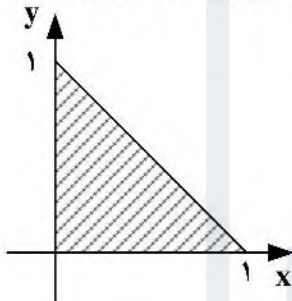
۴۴- تابع چگالی احتمال مشترک دو متغیر تصادفی به صورت زیر است:

$$f_{XY}(x, y) = \begin{cases} \lambda xy & 1 \geq x \geq y \geq 0 \\ 0 & \text{سایر} \end{cases}$$

احتمال  $P[Y > X^2]$ ، کدام است؟

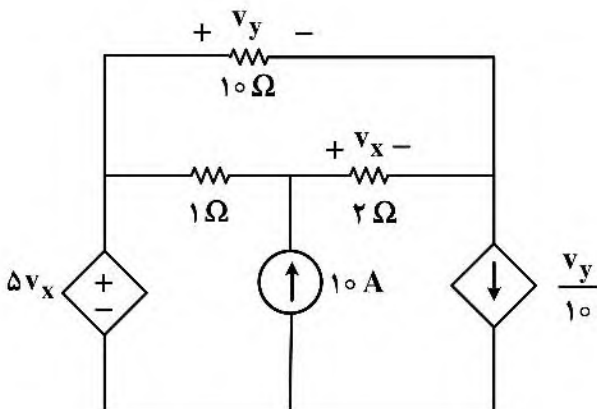
- (۱) ۰٫۲۵
- (۲) ۰٫۴
- (۳) ۰٫۱۶
- (۴) ۰٫۳۳

۴۵- تابع چگالی مشترک دو متغیر تصادفی  $X$  و  $Y$  روی ناحیه هاشورخورده مقدار ثابت و بقیه جاها صفر است. احتمال شرطی  $P\left\{Y > X \mid X < \frac{1}{2}\right\}$  برابر کدام است؟



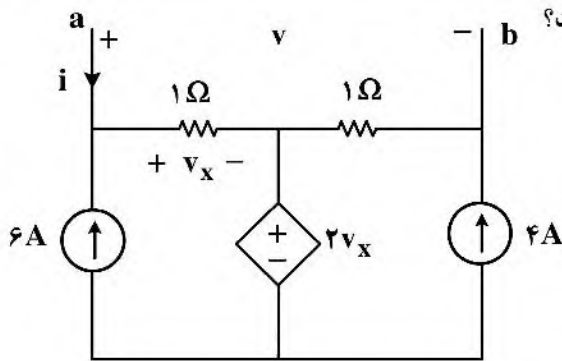
- (۱) ۰٫۲۵
- (۲) ۰٫۶۶
- (۳) ۰٫۷۵
- (۴) ۰٫۳۳

مدارهای الکتریکی (۱ و ۲):



۴۶- در مدار زیر،  $V_y$  چند ولت است؟

- (۱) -۵
- (۲) ۱۰
- (۳) -۱۰
- (۴) ۵



۴۷- پارامترهای مدار معادل تونن دیده شده از دو سر **ab** کدام است؟

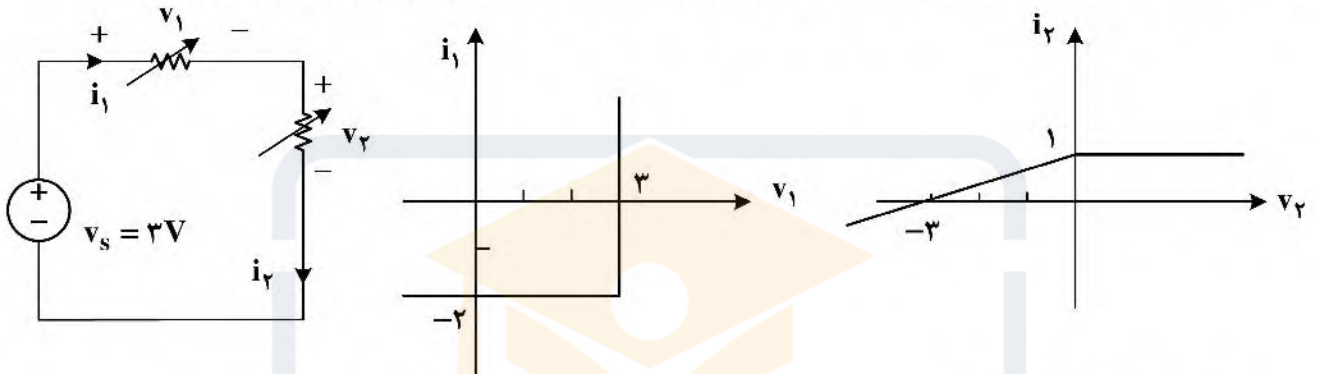
(۱)  $v_{oc} = 2V, R_{eq} = 2\Omega$

(۲)  $v_{oc} = 6V, R_{eq} = \frac{1}{2}\Omega$

(۳)  $v_{oc} = 2V, R_{eq} = \frac{1}{2}\Omega$

(۴)  $v_{oc} = 4V, R_{eq} = 2\Omega$

۴۸- در مدار داده شده مشخصه دو مقاومت غیرخطی رسم شده است. جریان  $i_1$  و توان تولیدی منبع  $v_s$  کدام است؟



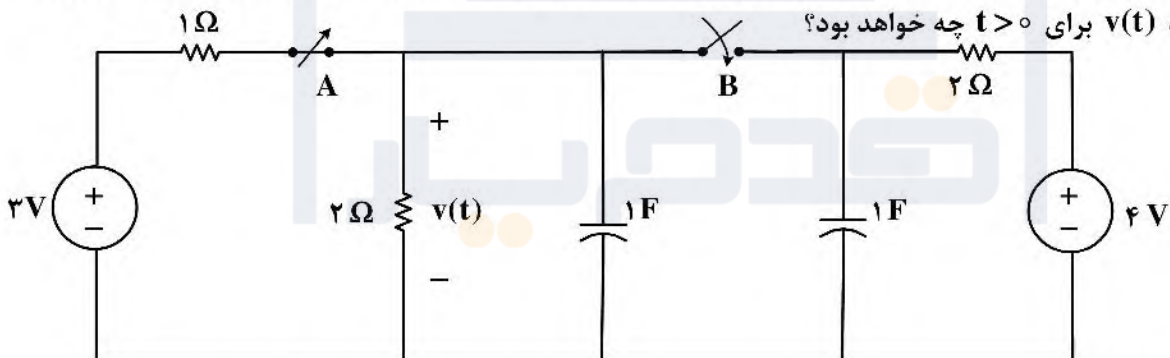
(۲)  $p = 3W, i_1 = 1A$

(۱)  $p = 6W, i_1 = 1A$

(۴)  $p = 2.5W, i_1 = 0.5A$

(۳)  $p = 1.5W, i_1 = 0.5A$

۴۹- مدت‌های طولانی کلید A بسته و کلید B باز بوده است. در زمان  $t = 0$  کلید A باز و کلید B بسته می‌گردد. معادله  $v(t)$  برای  $t > 0$  چه خواهد بود؟



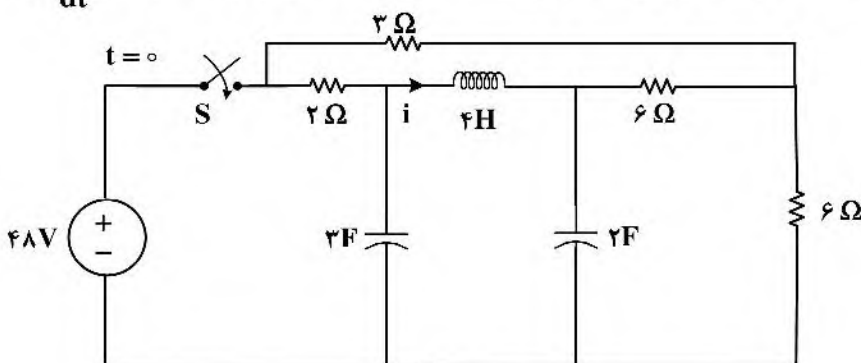
(۴)  $2 + e^{-\frac{t}{2}}$

(۳)  $6 - e^{-t}$

(۲)  $4 - 2e^{-t}$

(۱)  $3e^{-\frac{t}{2}}$

۵۰- در مدار داده شده کلید S در لحظه  $t = 0$  بسته می‌شود. مدار در  $t = 0^-$  در حالت صفر قرار دارد. چند  $\frac{d^2 i}{dt^2}(0^+)$  چند



آمپر بر مجذور ثانیه است؟

(۱)  $-1.5$

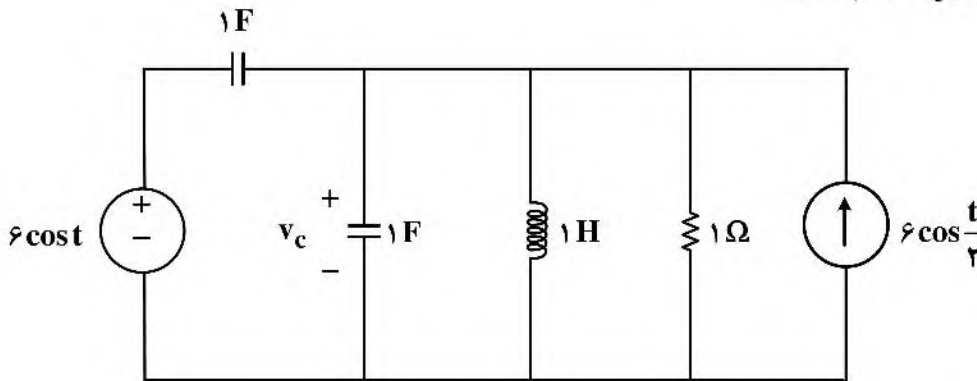
(۲)  $3$

(۳)  $-3$

(۴)  $1.5$



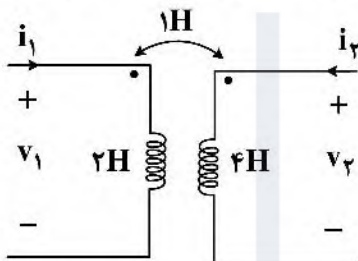
۵۱- در حالت دائمی ولتاژ  $v_c(t)$  کدام است؟



(۱)  $3\sqrt{2} \cos(t - 45^\circ) + 3\sqrt{2} \cos(\frac{t}{2} + 45^\circ)$  (۲)  $3\sqrt{2} \cos(t + 45^\circ) + 3\sqrt{2} \cos(\frac{t}{2} + 45^\circ)$

(۳)  $-3\sqrt{2} \cos(t - 45^\circ) + 3\sqrt{2} \cos(t - 45^\circ)$  (۴)  $3\sqrt{2} \cos(t + 45^\circ) - 3\sqrt{2} \cos(\frac{t}{2} + 45^\circ)$

۵۲- در مدار شکل زیر اگر  $i_1 = 1 \text{ A}$  باشد و انرژی ذخیره شده در دو سلف تزویج شده  $\gamma$  ژول باشد، جریان  $i_2$  چند آمپر است؟



(۱)  $-2$  یا  $1/5$

(۲)  $+2$  یا  $1/5$

(۳)  $-2$  یا  $-1/5$

(۴)  $+2$  یا  $-1/5$

۵۳- برای یک گراف با ۱۰ شاخه و ۴ گره، ماتریس‌های حلقه اساسی  $B$  و کاتست اساسی  $Q$  برای یک درخت معین،

داده شده است. کدام یک از عبارتهای زیر درست است؟

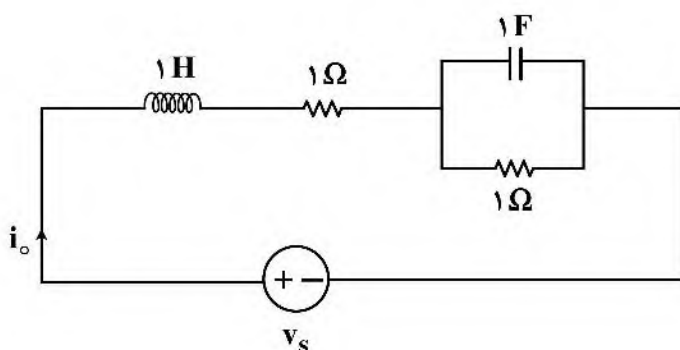
(۱) تعداد عناصر غیرصفر ماتریس  $B$ ، ۴ تا بیشتر از تعداد عناصر غیرصفر  $Q$  است.

(۲) بدون داشتن گراف، در مورد مقایسه تعداد عناصر غیرصفر  $B$  و  $Q$  نمی‌توان اظهار نظر کرد.

(۳) تعداد عناصر غیرصفر ماتریس  $B$  برابر تعداد عناصر غیرصفر  $Q$  است.

(۴) تعداد عناصر غیرصفر ماتریس  $B$ ، ۴ تا کمتر از تعداد عناصر غیرصفر  $Q$  است.

۵۴- معادله دیفرانسیل مدار داده شده کدام است؟



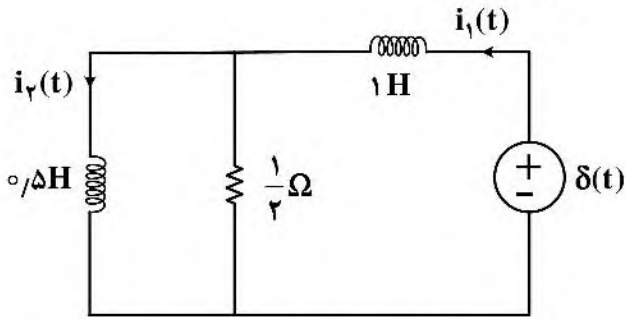
(۱)  $\frac{d^2 i_o}{dt^2} - 2 \frac{di_o}{dt} + 2 i_o = -\frac{dv_s}{dt} + v_s$

(۲)  $\frac{d^2 i_o}{dt^2} - 2 \frac{di_o}{dt} - 2 i_o = v_s$

(۳)  $\frac{d^2 i_o}{dt^2} + 2 \frac{di_o}{dt} + 2 i_o = \frac{dv_s}{dt} + v_s$

(۴)  $\frac{d^2 i_o}{dt^2} + 2 \frac{di_o}{dt} + 2 i_o = \frac{dv_s}{dt}$

۵۵- مقدار  $i_1(+\infty)$  چند آمپر است؟ (مدار در  $t=0^-$  در حالت صفر است.)



- (۱) صفر
- (۲)  $\frac{2}{3}$
- (۳)  $-\frac{2}{3}$
- (۴)  $\frac{1}{3}$

۵۶- پاسخ یک مدار خطی تغییرناپذیر با زمان به ازای ورودی شیب واحد به شکل  $v_o(t) = (1 - e^{-t} - te^{-t})u(t)$

می‌باشد. پاسخ حالت دائمی مدار به ازای ورودی  $i_s(t) = [1 + 2\sin(t - \frac{\pi}{4})]u(t)$  کدام است؟

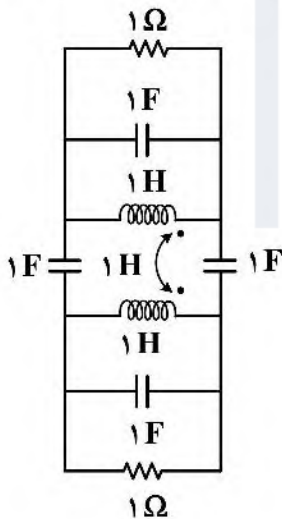
(۱)  $v_o(t) = \cos(t - \frac{\pi}{4})$

(۲)  $v_o(t) = \frac{1}{2}\cos(t + \frac{\pi}{4})$

(۳)  $v_o(t) = \sin(t - \frac{\pi}{4})$

(۴)  $v_o(t) = \frac{1}{2}\sin(t - \frac{\pi}{4})u(t)$

۵۷- در مدار شکل زیر، اگر دستگاه معادلات حالت به شکل  $\frac{dx(t)}{dt} = Ax(t)$  نوشته شود، مقادیر ویژه ماتریس A کدام هستند؟



(۱) صفر و  $-\frac{1}{2} \pm j\frac{1}{2}$

(۲) صفر و  $-\frac{1}{2}, -\frac{1}{2} \pm j\frac{1}{2}$

(۳)  $-\frac{1}{2} \pm j\frac{1}{2}$

(۴) صفر و  $\pm j\frac{1}{2}$

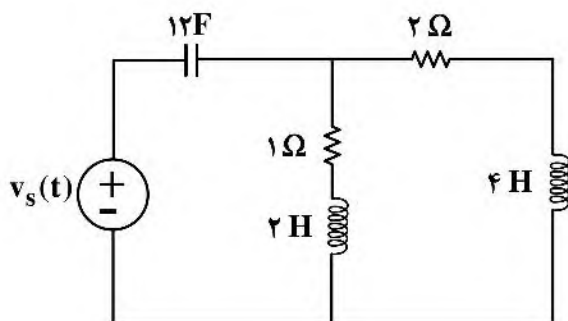
۵۸- فرکانس‌های طبیعی مدار زیر کدام است؟

(۱)  $-\frac{1}{4}, -\frac{1}{4}, -\frac{1}{4}$

(۲)  $-\frac{1}{2}, -\frac{1}{2}, -\frac{1}{2}$

(۳)  $-\frac{1}{4}, -\frac{1}{2}, -\frac{1}{2}$

(۴)  $-\frac{1}{4}, -\frac{1}{4}, -\frac{1}{2}$

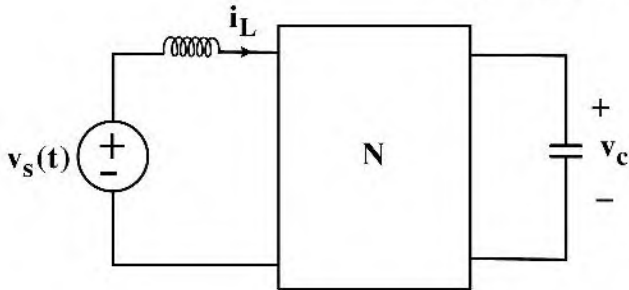




۵۹- شبکه N از عناصر RLC خطی تغییرناپذیر با زمان و پسیو تشکیل شده است.

تابع شبکه  $H_1(s) = \frac{V_c(s)}{V_s(s)} = \frac{s+7}{(s+2)(s+3)}$  را داریم و به ازای یک دسته شرایط اولیه و برای  $v_s(t) = 0$  داریم:

$i_L(t) = 5te^{-2t} + 3e^{-4t}$  کدام یک از گزاره‌های زیر نادرست است؟



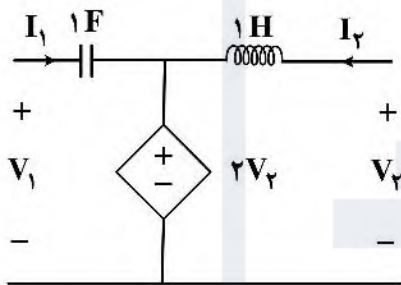
(۱) متغیر  $v_c(t)$  حداقل دو فرکانس طبیعی دارد.

(۲) تابع شبکه  $H_1(s) = \frac{I_L(s)}{V_s(s)}$  حداکثر ۳ قطب دارد.

(۳) مرتبه مدار حداقل ۴ است.

(۴) مرتبه مدار می‌تواند ۵ و فرکانس‌های طبیعی آن  $-2, -2, -2, -3$  و  $-4$  باشد.

۶۰- پارامترهای ماتریس امپدانس مدار باز دو قطبی زیر کدام است؟  $\begin{pmatrix} V_1 \\ V_2 \end{pmatrix} = Z \begin{pmatrix} I_1 \\ I_2 \end{pmatrix}$



$$Z = \begin{pmatrix} \frac{1}{s} & 2s \\ s & 0 \end{pmatrix} \quad (1)$$

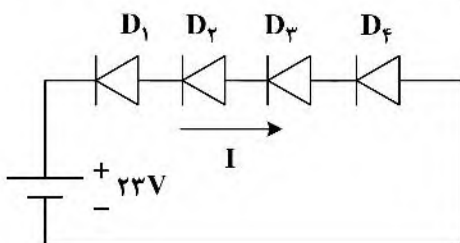
$$Z = \begin{pmatrix} \frac{1}{s} & -2s \\ 0 & -s \end{pmatrix} \quad (2)$$

$$Z = \begin{pmatrix} \frac{1}{s} & 2 \\ 0 & -s \end{pmatrix} \quad (3)$$

$$Z = \begin{pmatrix} \frac{1}{s} & 2 \\ 0 & s+2 \end{pmatrix} \quad (4)$$

الکترونیک (۱ و ۲) و سیستم‌های دیجیتال ۱:

۶۱- با فرض اینکه جریان اشباع معکوس دیودهای  $D_1, D_2, D_3, D_4$  به ترتیب  $2\mu A, 3\mu A, 5\mu A, 7\mu A$  و ولتاژ شکست همه دیودها برابر  $10V$  باشد، مقدار جریان  $I$  چند  $\mu A$  است؟



(۱) ۳

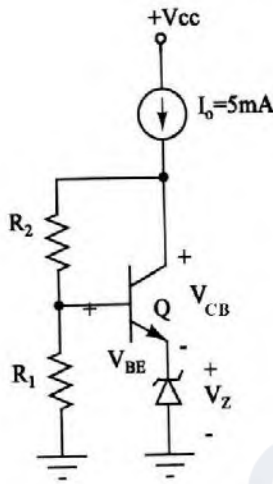
(۲) ۷

(۳) ۲

(۴) ۵

۶۲- در مدار داده شده به ازای چه مقدار نسبت  $\frac{R_2}{R_1}$ ، ضریب حرارتی ولتاژ  $V_{CE}$ ، صفر می شود؟ ( $\frac{\Delta V_{CE}}{\Delta T} = 0$ )

(فرض کنید ترانزیستور در ناحیه فعال و دیود همه در ناحیه شکست زنری قرار دارد.)

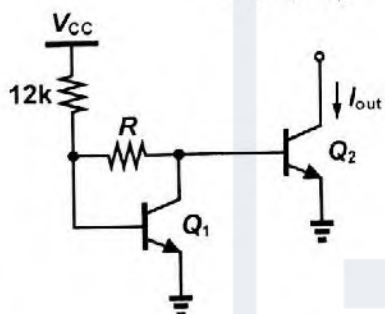


$$\frac{\Delta V_Z}{\Delta T} = +8mV/^\circ C$$

$$\frac{\Delta V_{BE}}{\Delta T} = -2mV/^\circ C$$

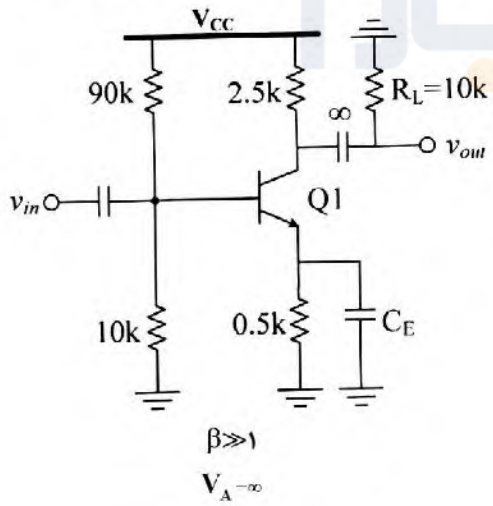
- ۱ (۱)
- ۲ (۲)
- ۳ (۳)
- ۱ (۴)

۶۳- در منبع جریان شکل زیر، مقاومت R چند اهم باشد تا تغییرات ولتاژ تغذیه حول  $V_{CC} = 2.2V$ ، تغییری در جریان خروجی ایجاد نکند؟ (فرض کنید  $\beta = \infty$  و  $V_T = 25mV$  و  $V_{BE(ON)} \approx 0.7V$ )



- ۳۰۰ (۱)
- ۱۰۰ (۲)
- ۴۰۰ (۳)
- ۲۰۰ (۴)

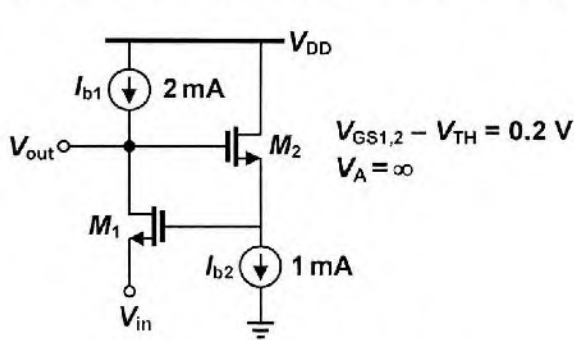
۶۴- در مدار شکل زیر، مقدار بهره ولتاژ  $A_v = \left| \frac{v_{out}}{v_{in}} \right|$  در حالت  $C_E = \infty$  برابر با ۴ است. مقدار اندازه بهره آن در حالت  $C_E = 0$  چقدر است؟



- ۲ (۱)
- ۶ (۲)
- ۱ (۳)
- ۳ (۴)



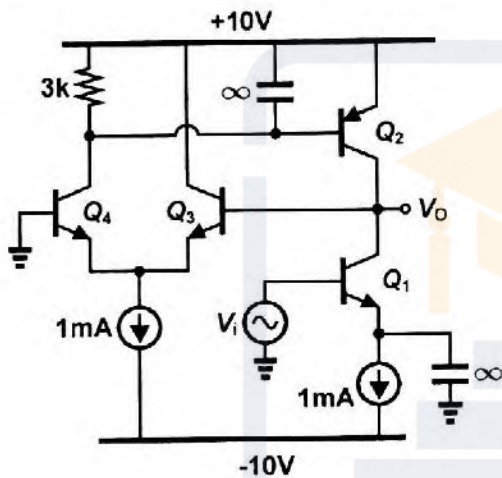
۶۵- در مدار شکل زیر، همه ترانزیستورها در ناحیه اشباع بایاس شده‌اند و منابع جریان ایدئال هستند. مقدار بهره



ولتاژ  $A_v = \frac{V_{out}}{V_{in}}$  برابر با کدام گزینه است؟

- ۳ (۱)
- ۱ (۲)
- ۴ (۳)
- ۲ (۴)

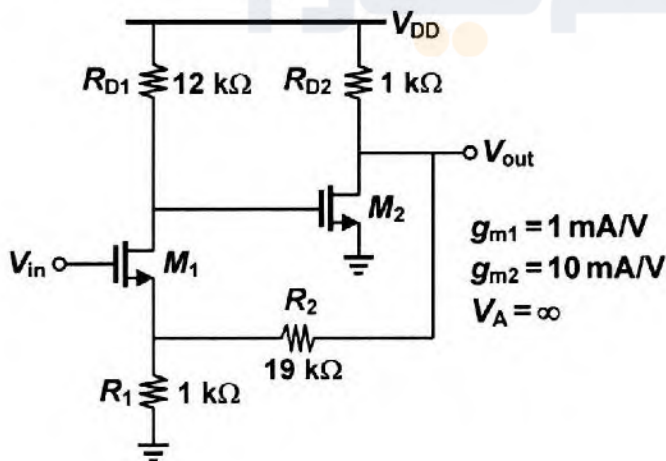
۶۶- در مدار شکل زیر، بهره ولتاژ  $(V_o/V_i)$  به کدام گزینه نزدیک‌تر است؟ (فرض کنید:  $V_{BE(ON)} = 0.6V$ )



( $V_T = 25mV$  و  $V_A = \infty$ ,  $\beta = 80$ )

- ۳۶۰ (۱)
- ۱۶۰ (۲)
- ۵۰۰ (۳)
- ۳۲۰ (۴)

۶۷- در مدار شکل زیر، همه ترانزیستورها در ناحیه اشباع بایاس شده‌اند. مقدار ولتاژ  $A_v = \frac{V_{out}}{V_{in}}$  به کدام گزینه

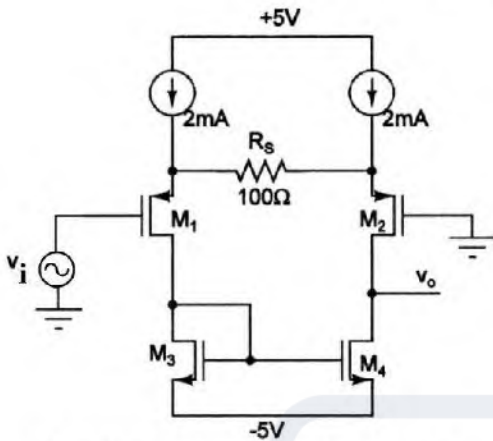


نزدیکتر است؟

- ۱۵ (۱)
- ۵ (۲)
- ۲۰ (۳)
- ۱۰ (۴)

۶۸- در تقویت‌کننده دیفرانسیل داده شده، مقدار تقریبی بهره ولتاژ  $A_v = \frac{v_o}{v_i}$  کدام است؟

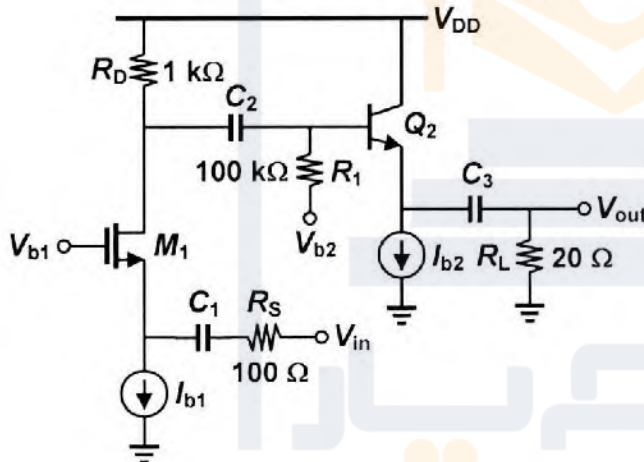
(فرض کنید  $\mu_n C_{ox} \frac{W}{L} = \mu_p C_{ox} \frac{W}{L} = 4 \text{ mA/V}^2$ ،  $|V_{TH}| = 1 \text{ V}$ ،  $\lambda = 0.01 \text{ V}^{-1}$ )



- (۱) ۱۲۰
- (۲) ۵۰
- (۳) ۲۰۰
- (۴) ۹۰

۶۹- در مدار شکل زیر، همه ترانزیستورها در ناحیه فعال بایاس شده‌اند و منابع جریان ایدئال هستند. مقدار فرکانس

قطع پایین -۳dB بهره ولتاژ  $A_v = \frac{V_{out}}{V_{in}}$  برحسب کیلورادیان بر ثانیه برابر با کدام گزینه است؟



- $V_{GS1} - V_{TH} = 0.2 \text{ V}$
- $\beta = 100$
- $V_T = 25 \text{ mV}$
- $V_A = \infty$
- $I_{b1} = 1 \text{ mA}$
- $I_{b2} = 2.5 \text{ mA}$
- $C_1 = 5 \mu\text{F}$
- $C_2 = 5 \mu\text{F}$
- $C_3 = 2.5 \mu\text{F}$

- (۱) ۲
- (۲) ۱۰
- (۳) ۲۰
- (۴) ۱

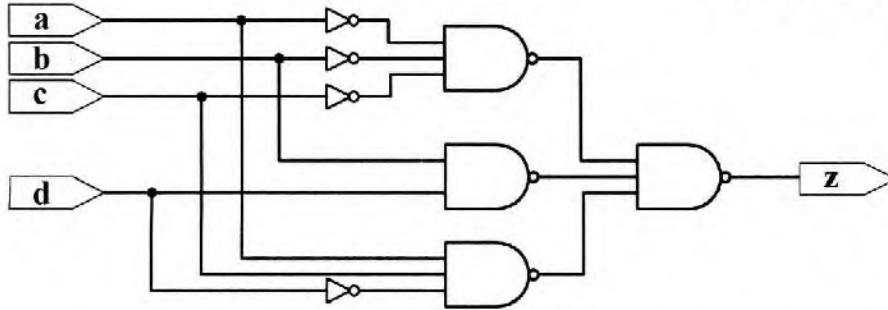
۷۰- کدام گزینه به ترتیب از راست به چپ تعداد Prime Implicate ها و Essential Prime Implicate های تابع زیر را نشان می‌دهد؟

$$f(a,b,c,d) = \sum (0, 1, 2, 11, 12, 13) + d(7, 8, 9, 15)$$

- (۱) ۲ و ۵
- (۲) ۳ و ۵
- (۳) ۲ و ۴
- (۴) ۳ و ۴



۷۱- فرض کنید تأخیر گیت‌های NOT، NAND۲ و NAND۳ به ترتیب برابر ۱، ۲ و ۳ نانوثانیه باشد. در این صورت کدام گزینه در مورد مدار زیر درست است؟



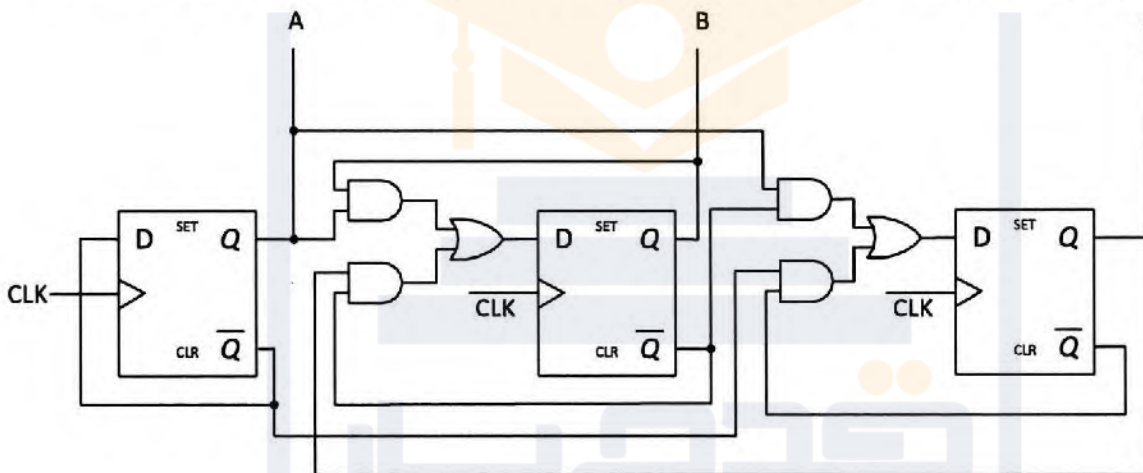
(۱) با تغییر ورودی از  $abcd = 0001$  به  $abcd = 0101$  یک پالس ۰ به عرض ۲ نانوثانیه در خروجی ایجاد می‌شود.

(۲) با تغییر ورودی از  $abcd = 0001$  به  $abcd = 0101$  یک پالس ۰ به عرض ۳ نانوثانیه در خروجی ایجاد می‌شود.

(۳) با تغییر ورودی از  $abcd = 0101$  به  $abcd = 0001$  یک پالس ۰ به عرض ۳ نانوثانیه در خروجی ایجاد می‌شود.

(۴) با تغییر ورودی از  $abcd = 0101$  به  $abcd = 0001$  یک پالس ۰ به عرض ۲ نانوثانیه در خروجی ایجاد می‌شود.

۷۲- با در نظر گرفتن مدار زیر، کدام گزینه درست است؟ (فرض کنید A بیت رتبه بالا و C بیت رتبه پایین است.)



(۱) این مدار شمارش اعداد  $1, 6, 2, 5, 3, 4, 1, \dots$  را انجام می‌دهد و مدار Self Starting نیست.

(۲) این مدار شمارش اعداد  $1, 6, 2, 5, 3, 4, 7, 1, \dots$  را انجام می‌دهد و مدار Self Starting نیست.

(۳) این مدار شمارش اعداد  $1, 6, 2, 5, 3, 4, 1, \dots$  را انجام می‌دهد و مدار Self Starting است.

(۴) این مدار شمارش اعداد  $1, 6, 2, 5, 3, 4, 7, 1, \dots$  را انجام می‌دهد و مدار Self Starting است.

۷۳- یک دریافت‌کننده سریال برای شروع به کار باید در ابتدا دنباله ۱۱۰ را تشخیص دهد. پس از دریافت این دنباله به اندازه

۱۳ پالس ساعت داده سریال ورودی روی خروجی قرار می‌گیرد این دریافت‌کننده با یک Moore Detector

(که به صورت One – Hot پیاده‌سازی شده است) و یک شمارنده رو به بالا (Up – Counter) ساخته شده است.

برای پیاده‌سازی این دریافت‌کننده به چند فیلیپ فلاپ نیاز داریم؟

۸ (۱)

۱۱ (۲)

۵ (۳)

۹ (۴)

۷۴- می‌خواهیم با لبة بالارونده Clock مقدار ثابت a را به ثابت b، مقدار ثابت b را به ثابت c و مقدار ثابت c را به ثابت a منتقل کنیم. کدام قطعه کد Verilog این کار را انجام می‌دهد؟

```
always @(posedge clk)
begin
  b <= a;
  c <= b;
  a <= c;
end
```

قطعه کد ۱

```
always @(posedge clk)
begin
  b = a;
  c = b;
  a = c;
end
```

قطعه کد ۲

```
always @(posedge clk)
begin
  t_a <= a;
  t_b <= b;
  t_c <= c;
  a <= t_c;
  b <= t_a;
  c <= t_b;
end
```

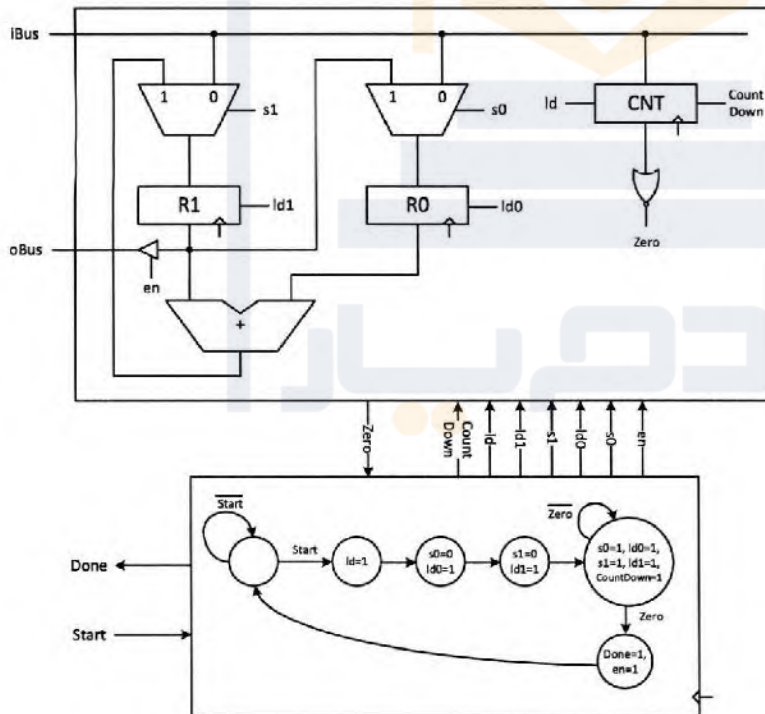
قطعه کد ۳

```
always @(posedge clk)
begin
  t_a = a;
  t_b = b;
  t_c = c;
  a = t_c;
  b = t_a;
  c = t_b;
end
```

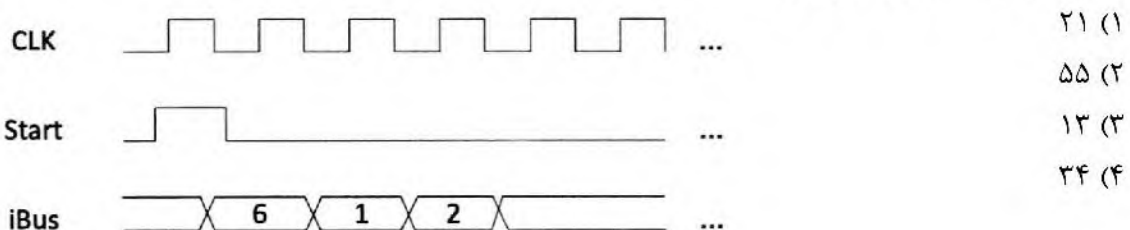
قطعه کد ۴

(۱) قطعه کد ۲ و ۳ (۲) قطعه کد ۱ و ۴ (۳) قطعه کد ۱ و ۳ (۴) قطعه کد ۳ و ۴

۷۵- شکل زیر مسیر داده و واحد کنترل یک سامانه محاسباتی را نشان می‌دهد.



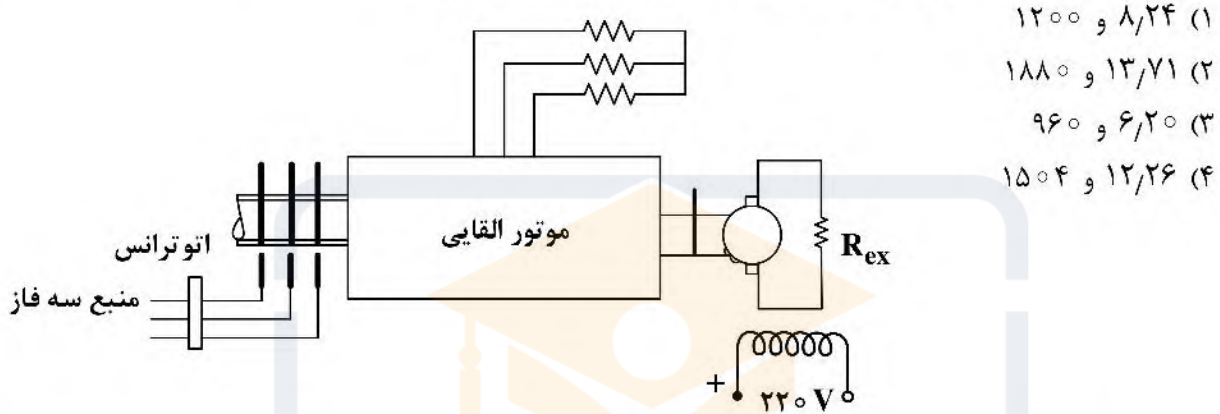
اگر ورودی‌های این سامانه طبق شکل زیر اعمال شود، در زمان فعال شدن سیگنال خروجی Done، چه مقداری بر روی گذرگاه oBus قرار می‌گیرد؟



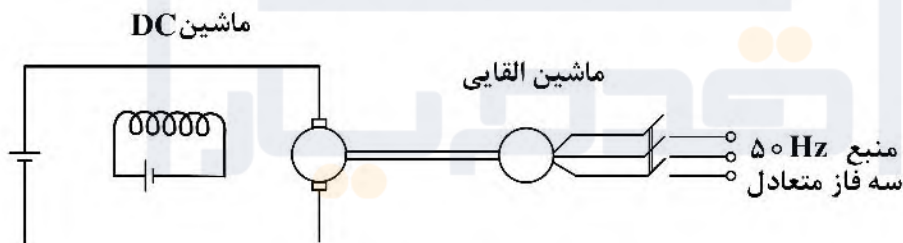


ماشین‌های الکتریکی (۱ و ۲) و تحلیل سیستم‌های انرژی الکتریکی ۱:

۷۶- یک موتور القایی سه فاز،  $V = 440$ ،  $Hz = 50$  و ۴ قطب با روتور سیم‌پیچ شده توسط یک اتوترانسفورماتور از سمت روتور تغذیه می‌شود و استاتور به مقاومت متغیری مطابق شکل متصل است. این موتور به یک ژنراتور dc تحریک مستقل کوپل شده که مقاومت ثابت  $10 \Omega$  را تغذیه می‌کند. از روش دو وات متری برای اندازه‌گیری توان ورودی موتور القایی استفاده می‌شود. مقاومت متغیر به صورتی تنظیم شده که موتور با سرعت  $1410 \text{ rpm}$  بچرخد و وات‌مترها  $W_1 = 1800 \text{ W}$  و  $W_2 = 200 \text{ W}$  را قرائت کنند. با چشم‌پوشی از تمام تلفات دو ماشین توان خروجی (وات) ژنراتور DC و جریان عبوری از مقاومت  $R_{ex}$  (آمپر) به ترتیب از چپ به راست کدام است؟

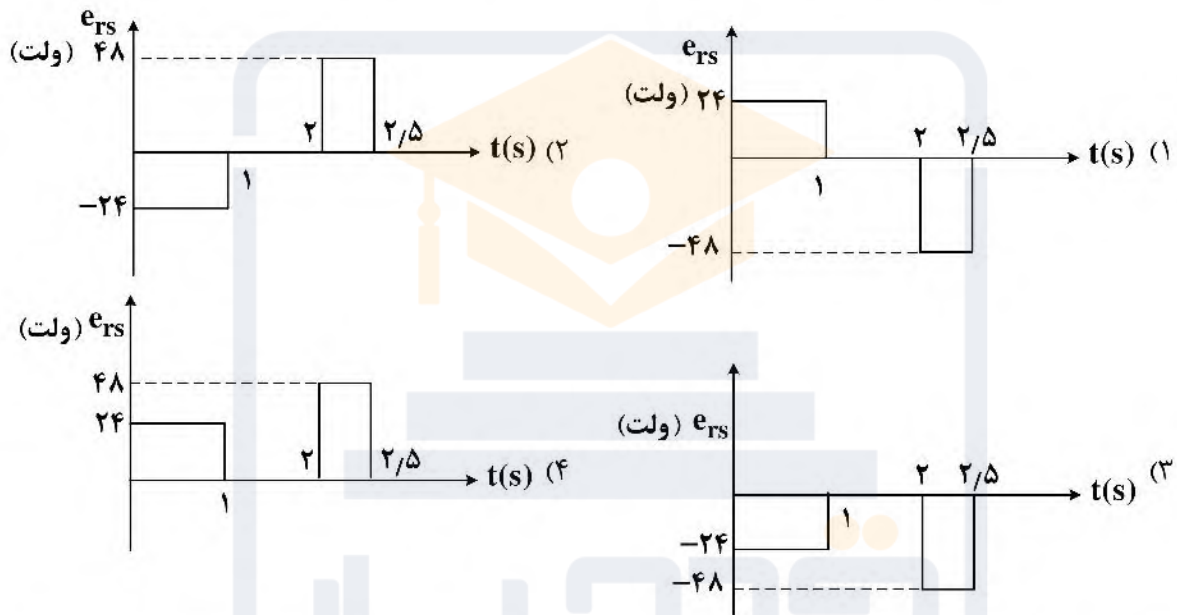
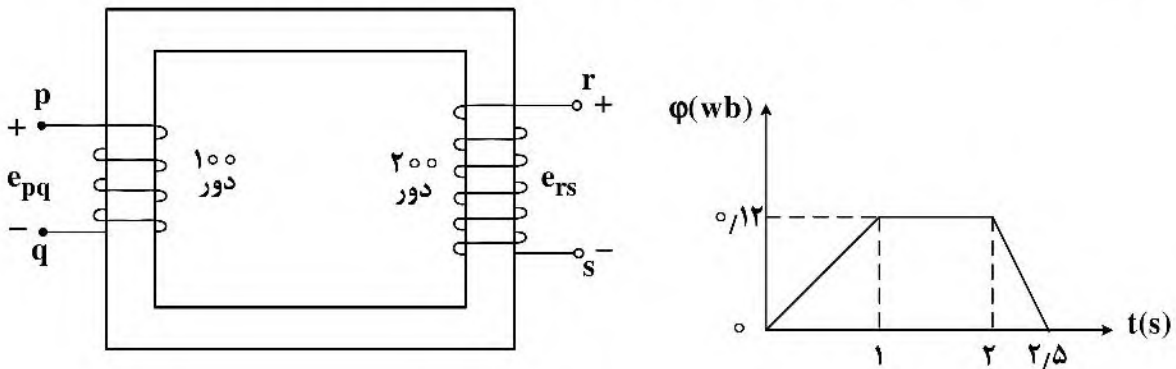


۷۷- یک ماشین جریان مستقیم تحریک مستقل به یک ماشین القایی سه فاز  $50 \text{ Hz}$ ، ۴ قطب مطابق شکل زیر کوپل شده است. ماشین جریان مستقیم برق‌دار شده و ماشین‌ها با سرعت  $1600 \text{ rpm}$  می‌چرخند. در این حال ماشین القایی نیز به یک منبع سه فاز  $50 \text{ Hz}$  وصل شده و همانطور می‌چرخد. در حالت ماندگار:



- (۱) هر دو ماشین به صورت ژنراتور عمل می‌کنند.
- (۲) ماشین جریان مستقیم به صورت موتور و ماشین القایی به صورت ژنراتور عمل می‌کنند.
- (۳) هر دو ماشین به صورت موتور عمل می‌کنند.
- (۴) ماشین جریان مستقیم به صورت ژنراتور و ماشین القایی به صورت موتور عمل می‌کنند.

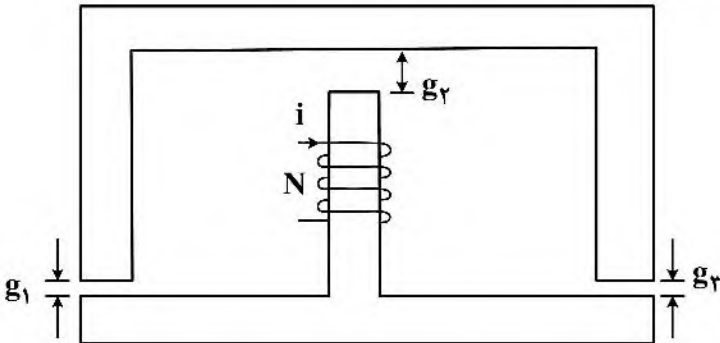
۷۸- هسته یک ترانسفورماتور دو سیم‌پیچ در معرض شار مغناطیسی قرار می‌گیرد که شکل موج آن  $(\phi)$  بر حسب  $(t)$  در زیر نشان داده شده است.  $Emf$  القایی در سیم‌پیچ ثانویه به صورت تابعی از زمان کدام است؟



۷۹- یک ترانسفورماتور  $3000\text{ kVA}$  تحت بار کامل و ضریب توان  $0.8$  پس فاز، دارای بازده  $95\%$  است. بازدهی این ترانسفورماتور تحت نصف بار کامل و ضریب توان واحد، به  $96\%$  می‌رسد. تلفات هسته  $(P_i)$  و تلفات مسی  $(P_c)$  ترانسفورماتور در بار کامل چند کیلووات است؟

- (۱)  $P_c = 8.51$        $P_i = 4.12$
- (۲)  $P_c = 6.59$        $P_i = 9.21$
- (۳)  $P_c = 12.72$       $P_i = 3.07$
- (۴)  $P_c = 4.12$        $P_i = 8.51$

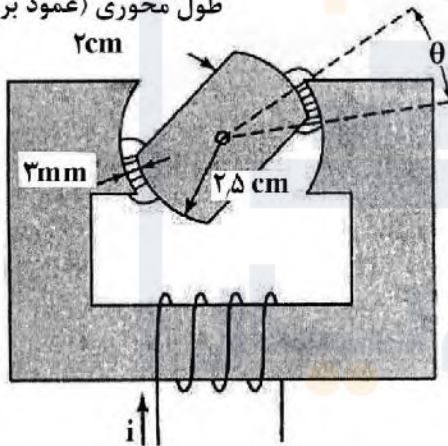
۸۰- در مدار مغناطیسی شکل زیر، از افت مغناطیسی هسته و شکستگی شار در فواصل هوایی چشم‌پوشی می‌شود. سطح مقطع هسته همه جا یکسان و  $g_1 = g_2 = g_3 = g$  است. اگر فقط جریان ورودی  $i$  دو برابر و  $g_3$  نصف شود، چگالی شار مغناطیسی فاصله هوایی  $g_1$  چند برابر خواهد شد؟



- /۸ (۱)
- /۵ (۲)
- /۵ (۳)
- ۱ (۴)

۸۱- مدار مغناطیسی شکل زیر، از فولاد الکتریکی با ضریب نفوذپذیری مغناطیسی بزرگ ساخته شده است. روتور حول محور قائم آزادانه می‌چرخد. حداکثر چگالی شار مغناطیسی نواحی هم‌پوشانی فواصل هوایی به مقدار تقریبی  $\frac{\pi}{4} T$  ( $= 1/57$ ) محدود می‌شود تا از اشباع زیاد هسته جلوگیری شود. به‌ازای مقادیر عددی داده شده روی شکل مقدار تقریبی حداکثر گشتاور چند نیوتن متر است؟ (فرض کنید که شار مغناطیسی نشت و شکستگی ندارد.)

طول محوری (عمود بر صفحه)



- /۳۳π (۱)
- /۵π (۲)
- /۶π (۳)
- /۴π (۴)

۸۲- یک موتور جریان مستقیم سری یک قطار با توان بار ثابت را به حرکت در می‌آورد. این موتور در حال کار در سرعت اسمی و ولتاژ اسمی است. اگر سرعت به  $0.75 pu$  رسانده شود، ولتاژ تغذیه تقریباً برابر کدام است؟

- /۲۵ pu (۱)
- /۷۵ pu (۲)
- /۱۲۵ pu (۳)
- /۵ pu (۴)

۸۳- یک ژنراتور DC شنت دارای مقاومت آرمیچر و میدان به ترتیب برابر ۱ و ۱۰۰ اهم است. این ژنراتور در سرعت نامی بار ۵ اهمی را با جریان آرمیچر ۶۳ آمپر تغذیه می‌کند. توان تبدیل شده از مکانیکی به الکتریکی، تقریباً چند کیلووات است؟

- ۲۳ (۱)
- ۲۷ (۲)
- ۲۰ (۳)
- ۲۶ (۴)



۸۴- یک موتور القایی سه فاز قفسه‌ای تحت بار، در ناحیه‌ای که شیب گشتاور سرعت آن مثبت است، کار می‌کند. کدام یک از موارد زیر درست است؟

- (۱) بار مکانیکی تناسب خطی با سرعت دارد.
- (۲) شیب مشخصه گشتاور/ سرعت بار مکانیکی بیشتر از شیب مشخصه گشتاور سرعت موتور است.
- (۳) توان بار مکانیکی ثابت است.
- (۴) موتور هیچ‌گاه در این شرایط نمی‌تواند به صورت پایدار کار کند.

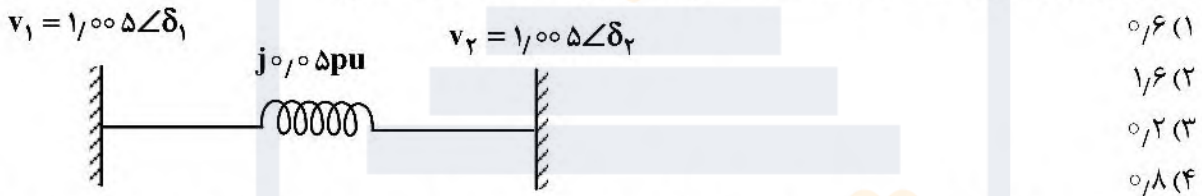
۸۵- یک موتور القایی سه فاز ۶ قطب در فرکانس ۵۰ هرتز کار می‌کند. در این شرایط فرکانس ولتاژ القایی در رتور ۲ هرتز و گشتاور خروجی موتور ۱۲۰ نیوتن‌متر است. اگر تلفات چرخشی ۲۰۰۰ وات و تلفات مسی استاتور ۵۰۰ وات باشد، بازدهی موتور چند درصد است؟

- (۱) ۸۰
- (۲) ۹۰
- (۳) ۷۵
- (۴) ۸۵

۸۶- در یک خط انتقال با طول متوسط، امپدانس سری کل خط  $Z$  و ادمیتانس موازی کل خط  $Y$  است. اگر مدل  $L$  را برای خط انتخاب کنیم و همه  $Y$  را در انتهای خط قرار دهیم، پارامترهای  $A, B, C, D$  خط کدام است؟

- (۱)  $D = Y, C = 1 + ZY, B = Z, A = 1$
- (۲)  $D = 1, C = 1 + ZY, B = Y, A = Z$
- (۳)  $D = 1, C = Y, B = Z, A = 1 + ZY$
- (۴)  $D = 1, C = Z, B = Y, A = 1 + ZY$

۸۷- در خط انتقال زیر، اندازه ولتاژهای دو طرف خط برابر  $17005 \angle \delta$  واحد است. خط انتقال بدون تلفات فرض می‌شود. اگر کمترین ولتاژ در طول خط  $1 \text{ pu}$  باشد، آنگاه مصرف راکتیو خط چند  $\text{pu}$  خواهد بود؟



۸۸- سیستم قدرت با  $Y_{bus}$  زیر شامل دو راکتور جبران موازی یکسان در باس ۲ است، چنانچه یکی از راکتورهای این باس از مدار خارج شود، ماتریس  $Y_{bus}$  جدید به چه صورت خواهد بود؟

$$Y_{bus} = j \begin{bmatrix} -4 & 2 & 2 \\ 2 & -5 & 1 \\ 2 & 1 & -5 \end{bmatrix}$$

(۱)  $j \begin{bmatrix} -4 & 2 & 2 \\ 2 & -5 & 1 \\ 2 & 1 & -4 \end{bmatrix}$

(۲)  $j \begin{bmatrix} -4 & 2 & 2 \\ 2 & -4 & 1 \\ 2 & 1 & -5 \end{bmatrix}$

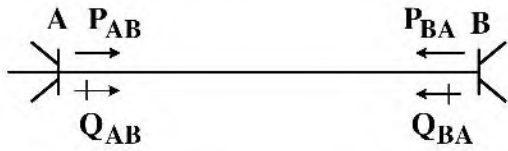
(۳)  $j \begin{bmatrix} -4 & 2 & 2 \\ 2 & -6 & 1 \\ 2 & 1 & -5 \end{bmatrix}$

(۴) داده‌های مسئله کافی نیست.

۸۹- اگر به منظور افزایش سطح ولتاژ نامی یک خط انتقال بدون تلفات فاصله فازهای خط را افزایش دهیم، بدون آن که نوع هادی‌ها عوض شود،  $Z_c$  چگونه تغییر می‌کند؟ (از اثر زمین چشم‌پوشی کنید).

- (۱) کاهش می‌یابد.
- (۲) نمی‌توان قضاوت کرد.
- (۳) افزایش می‌یابد.
- (۴) تغییر نمی‌کند.

۹۰- در شکل زیر، اندازه ولتاژهای دو طرف خط AB برابر بوده و توان‌های حقیقی و راکتیو جاری شده در هر پایانه خط نشان داده شده است. از چهار عبارت بیان شده زیر درباره این شبکه، چند عبارت نادرست است؟



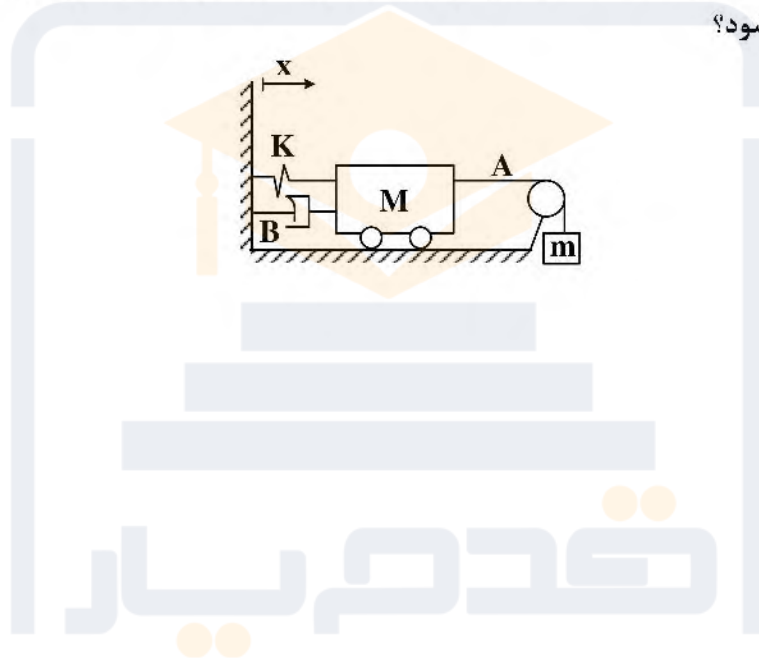
- همواره  $P_{AB} + P_{BA} \geq 0$  است.
- همواره  $P_{AB} \times P_{BA} \leq 0$  است.
- همواره  $Q_{AB} \times Q_{BA} \leq 0$  است.
- همواره  $P_{AB} \times Q_{AB} \geq 0$  است.

- (۱) یک
- (۲) دو
- (۳) سه
- (۴) صفر

سیستم‌های کنترل خطی:

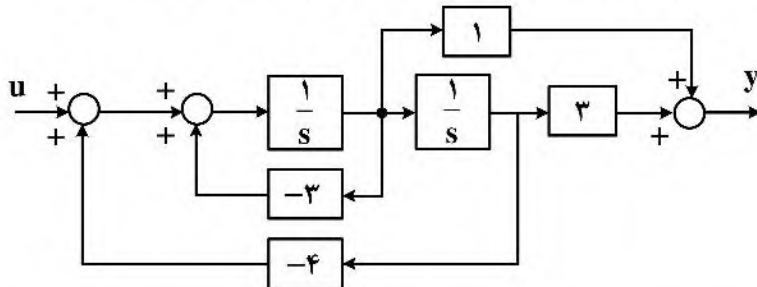
۹۱- در سیستم زیر، اگر در لحظه  $t = 0$ ، طناب از نقطه A پاره شود. سرعت جسم در چه لحظه‌ای برای اولین بار (  $t > 0$  ) صفر می‌شود؟

- $M = 2 \text{ kg}$
- $m = 4 \text{ kg}$
- $K = 20 \frac{\text{N}}{\text{m}}$
- $B = 4 \frac{\text{Ns}}{\text{m}}$
- $g = 10 \frac{\text{m}}{\text{s}^2}$



- (۱)  $\frac{\pi}{3}$
- (۲)  $\frac{3\pi}{2}$
- (۳)  $\frac{\pi}{4}$
- (۴)  $\frac{\pi}{2}$

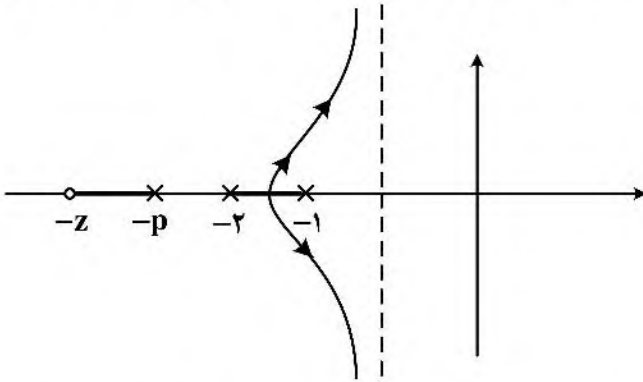
۹۲- بلوک دیاگرام زیر را در نظر بگیرید. اگر  $u = -ky$  در نظر گرفته شود، مقدار k برای نوسانی شدن سیستم کدام است؟



- (۱)  $-\frac{4}{3}$
- (۲) ۳
- (۳) -۳

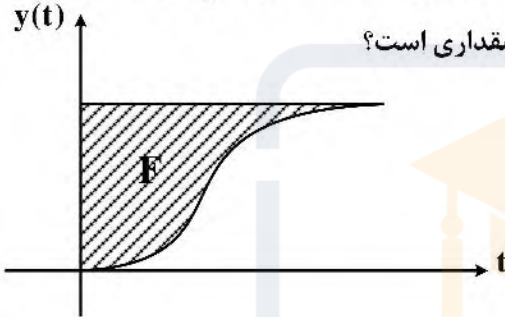
(۴) نمی‌توان مقداری برای k تعیین کرد که سیستم در حالت نوسانی قرار گیرد.

۹۳- مکان هندسی ریشه‌های سیستمی به صورت زیر است. چه رابطه‌ای بین  $p$  و  $z$  باید باشد تا زمان نشست با معیار ۲ درصد برابر با ۲ ثانیه باشد؟



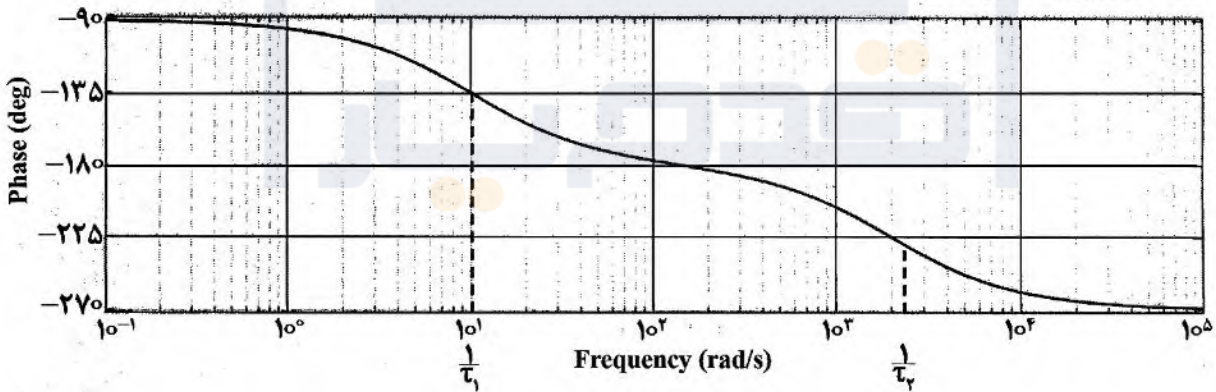
- (۱)  $z - p = 1$
- (۲)  $p - z = 2$
- (۳)  $p - z = 1$
- (۴)  $z - p = 2$

۹۴- تابع تبدیل حلقه‌باز سیستمی به صورت  $\frac{1}{\alpha s + 1}$  است. با استفاده از کنترل کننده تناسبی  $u = (r - y)k_p$  که  $r$  ورودی و  $y$  خروجی است پاسخ پله به صورت زیر می‌شود.  $F$  چه مقداری است؟



- (۱)  $F = k_p$
- (۲)  $F = \frac{\alpha k_p}{(k_p + 1)^2}$
- (۳)  $F = \alpha k_p$
- (۴)  $F = \frac{(k_p + 1)^2}{\alpha}$

۹۵- نمودار فاز در دیاگرام بودی سیستمی، مطابق شکل زیر است. به ازای کدام مقدار گین DC، حد بهره در این سیستم برابر یک خواهد شد؟



$$k = \frac{2\tau_1\tau_2}{2\tau_1 + \tau_2} \quad (۲)$$

$$k = \frac{\tau_1 + \tau_2}{\tau_1\tau_2} \quad (۴)$$

$$k = \frac{\tau_1\tau_2}{\tau_1 + \tau_2} \quad (۱)$$

$$k = \frac{2\tau_1 + \tau_2}{2\tau_1\tau_2} \quad (۳)$$



۹۶- تابع تبدیل حلقه‌باز سیستم  $G_p(s) = \frac{s^2 + 4}{s^2 + 1}$  با فیدبک واحد منفی را در نظر بگیرید. اگر برای این سیستم از

کنترل‌کننده  $G_c(s) = \frac{k(s + 0.1)(s + b)}{s}$  (استفاده کنیم، تأثیر این کنترل‌کننده بر رفتار

سیستم حلقه‌بسته چه خواهد بود؟

(۱) وجود قطب در مبدأ باعث حذف خطای حالت دائم سیستم حلقه‌بسته به ورودی پله می‌شود و با انتخاب مقادیر مناسب برای  $b$  و  $k$  می‌توانیم قطب‌های مزدوج مختلط سیستم حلقه‌بسته را به سمت چپ محور موهومی حرکت بدهیم.

(۲) مؤلفه PI در کنترل‌کننده PID باعث پایداری سیستم حلقه‌بسته می‌شود و با صفر در  $-b$  سرعت پاسخ‌دهی سیستم تنظیم می‌شود.

(۳) وجود صفر در  $-0.1$  باعث می‌شود که در سیستم حلقه‌بسته یک قطب غالب نزدیک مبدأ ایجاد گردد و این مسئله باعث کندی سیستم حلقه‌بسته می‌شود. صفر دوم در  $-b$  قطب‌های مزدوج مختلط را به سمت چپ کشیده و این مسئله را جبران می‌کند.

(۴) هر سه مورد مذکور صحیح هستند.

۹۷- سیستم کنترل زیر مفروض است. با توجه به مفهوم قطب (یا قطب‌های) مسلط، کدام یک از پاسخ‌های زیر درست است؟



(۱) از قطب واقع در منهای  $1000$  نمی‌توان صرف‌نظر کرد.

(۲) به ازاء مقادیر بزرگ  $K$  می‌توان از قطب منهای  $1000$  صرف‌نظر کرد.

(۳) از قطب واقع در منهای  $1000$  می‌توان صرف‌نظر کرد.

(۴) به ازاء مقادیر کوچک  $K$  می‌توان از قطب منهای  $1000$  صرف‌نظر کرد.

۹۸- کدام گزینه ریشه معادله  $\Delta(s) = s^6 + 3s^5 + 2s^4 + 4s^3 + 12s + 8 = 0$  است؟

(۱)  $-2 + 2j$

(۲)  $-1 + 2j$

(۳)  $+1 + j$

(۴)  $-2 + j$

۹۹- سیستم  $G(s) = \frac{1}{(s+2)(s+3)}$  و کنترل‌کننده  $k(s) = k_P + \frac{k_I}{s} + k_D s$  را که تحت فیدبک واحد قرار دارند

در نظر بگیرید. مقادیر کنترل‌کننده به گونه‌ای در نظر گرفته شده که سیستم حلقه‌بسته دارای دو صفر در  $z = -3 \pm j$  باشد. کدام عبارت درست است؟

(۱) افزایش  $k_D$  فراجش را افزایش می‌دهد. (۲) تغییرات  $k_D$  تأثیری در فراجش ندارد.

(۳) افزایش  $k_P$  فراجش را کاهش می‌دهد. (۴) افزایش  $k_I$  فراجش را افزایش می‌دهد.

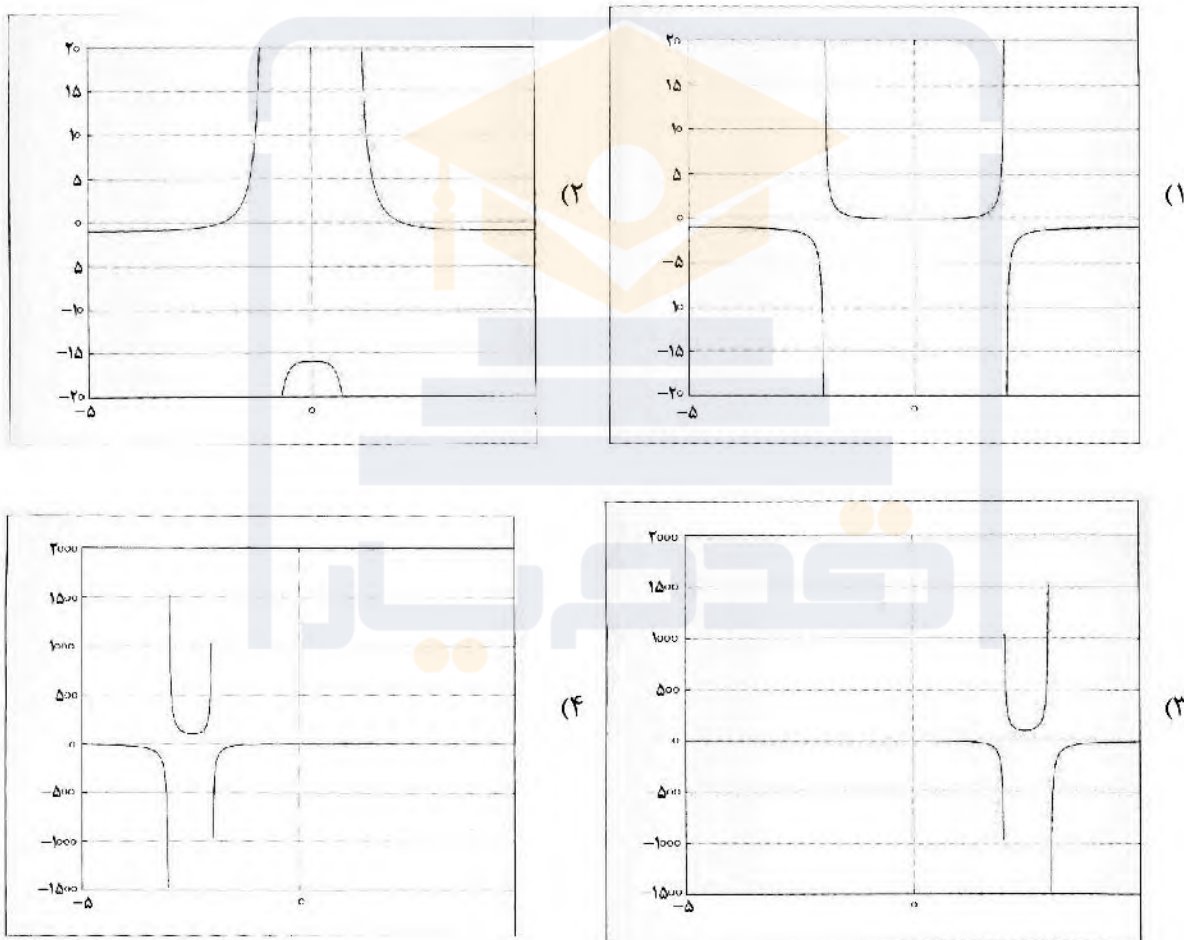
۱۰۰- یک سیستم کنترل با تابع تبدیل حلقه‌باز  $G(s) = \frac{s+z}{(s-z)(s+p)}$ ,  $k, z, p > 0$  و فیدبک واحد منفی مفروض است.

اگر در فرکانس  $\sqrt{3}$ ، منحنی نایکوئیست محور حقیقی منفی را در نقطه  $(-0.5, 0)$  قطع کند، نسبت  $\frac{z}{p}$  چقدر است؟

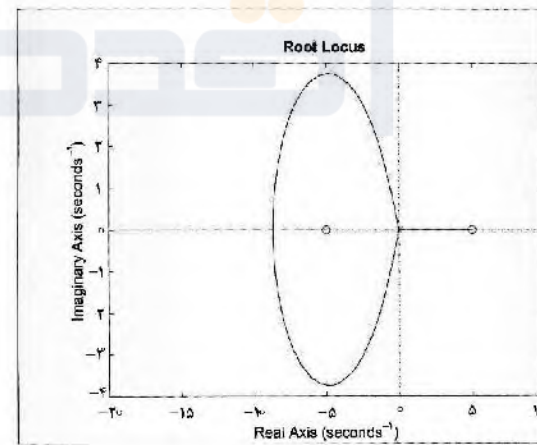
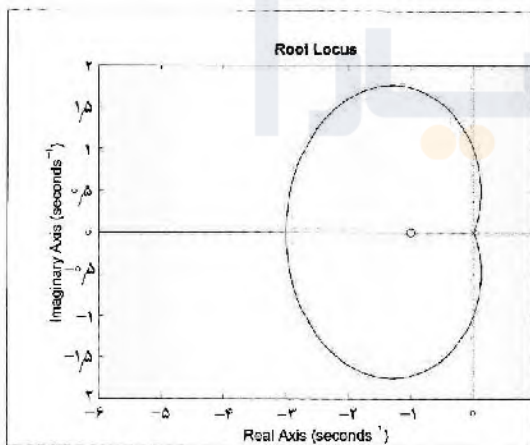
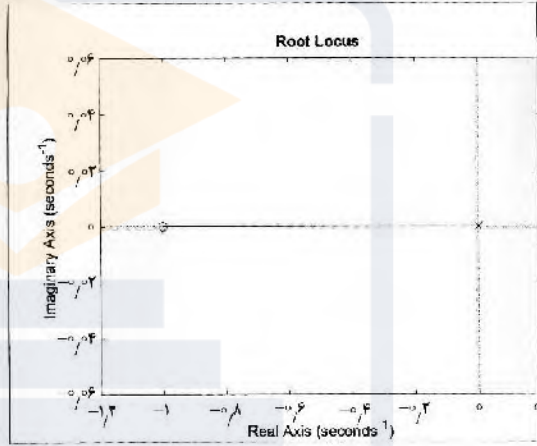
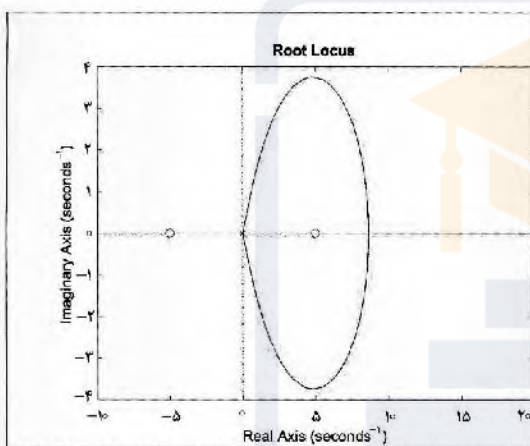
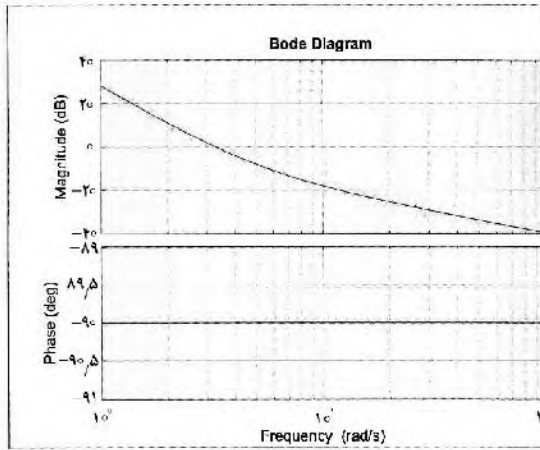
- (۱)  $\frac{1}{2}$   
 (۲)  $\frac{1}{3}$   
 (۳)  $\frac{1}{2}$   
 (۴)  $\frac{2}{3}$

۱۰۱- یک سیستم فیدبک منفی واحد با تابع تبدیل حلقه  $G(s) = k \frac{(s^2-1)(s^2+1)}{(s^2-4)(s^2+4)}$  را در نظر بگیرید. منحنی تغییرات

بهره  $k$  بر حسب  $\sigma$  (مقدار حقیقی  $s$ ) کدام گزینه است؟



۱۰۲- دیاگرام بودی تابع تبدیل حلقه‌باز یک سیستم حلقه‌بسته با فیدبک منفی داده شده است. کدام گزینه منحنی مکان هندسی ریشه‌های سیستم حلقه‌بسته را نشان می‌دهد؟





سیگنال‌ها و سیستم‌ها:

۱۰۳- رابطه  $x(n)$  ورودی یک سیستم علی و  $y(n)$  خروجی سیستم به صورت زیر است:

$$y(n) = \frac{1}{4} | y(n-1) | + x(n)$$

در مورد پایداری و وارون پذیری این سیستم کدام گزینه درست است؟

- (۱) سیستم ناپایدار و وارون پذیر است.  
 (۲) سیستم ناپایدار و وارون ناپذیر است.  
 (۳) سیستم پایدار و وارون پذیر است.  
 (۴) سیستم پایدار و وارون ناپذیر است.

۱۰۴- سیگنال حقیقی  $x(t)$  متناوب با دوره تناوب ۸ با ضرایب سری فوریه  $a_k$  بوده و داریم  $a_5 = 2$ . اگر ضرایب سری

فوریه سیگنال  $y(t) = 2x(t-4)$  را  $b_k$  بنامیم، کدام گزینه درست است؟

- (۱)  $b_5 = 4$   
 (۲)  $b_{-5} = -2$   
 (۳)  $b_5 = 2$   
 (۴)  $b_{-5} = -4$

۱۰۵- سیگنال  $x(t) = e^{-t}$  وارد سیستم سببی با پاسخ ضربه  $h(t) = e^{-2t}u(t)$  می‌شود. پاسخ سیستم کدام است؟

- (۱)  $y(t) = e^{-t}$   
 (۲)  $y(t) = e^{-2t}$   
 (۳)  $y(t) = 1$   
 (۴)  $y(t) = e^{-|t|}$

۱۰۶- مقدار مجموع زیر کدام است؟

$$\sum_{k=1}^{+\infty} \frac{1}{1 + 4\pi^2 k^2}$$

- (۱)  $\frac{1+e^{-1}}{2(1-e^{-1})}$   
 (۲)  $\frac{3e^{-1}-1}{4(1-e^{-1})}$   
 (۳)  $\frac{3e^{-1}+1}{2(1-e^{-1})}$   
 (۴)  $\frac{3e^{-1}+1}{4(1-e^{-1})}$

۱۰۷- معادله تفاضلی یک سیستم LTI با پاسخ دست چپی (left sided) به صورت زیر است؟

$$y[n] + 3y[n-1] + 2y[n-2] = x[n]$$

اگر خروجی سیستم به ورودی  $x(n) = \delta[n-2]$  را با  $y(n)$  نمایش دهیم در این صورت مقدار  $y(0) + y(1) + y(2)$  کدام است؟

- (۱) صفر  
 (۲)  $\frac{1}{2}$   
 (۳) -۲  
 (۴)  $\frac{1}{4}$

۱۰۸- سیگنال زمان گسسته  $x[n] = \begin{cases} n \text{ زوج} \\ \left(\frac{1}{2}\right)^{|n|} (j)^n, n \text{ فرد} \end{cases}$  را با تبدیل فوریه  $X(e^{j\omega})$  در نظر می‌گیریم. اگر

$$a \triangleq \frac{1}{2\pi} \int_0^{2\pi} \text{Re} [X^*(e^{j\omega})] d\omega$$

$$b \triangleq \frac{1}{2\pi} \int_0^{2\pi} \text{Im} [X^*(e^{j\omega})] d\omega$$

در آن صورت مقادیر  $a$  و  $b$  کدام است؟

(۱)  $b = \frac{\lambda}{15}, a = 0$

(۲)  $b = \frac{\lambda}{6}, a = 0$

(۳)  $b = 0, a = \frac{\lambda}{15}$

(۴)  $b = 0, a = \frac{\lambda}{6}$

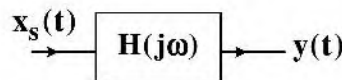
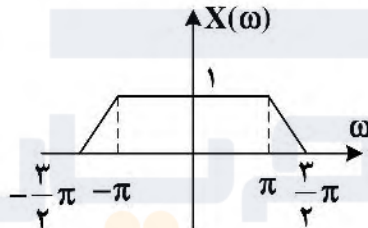
۱۰۹- سیگنال  $x(t)$  دارای تبدیل فوریه  $X(j\omega)$  است، که در شکل زیر نمایش داده شده است. سیگنال  $x(t)$  با نرخ

$\frac{1}{T_s} = 1$  نمونه در ثانیه نمونه‌برداری شده، سیگنال  $x_s(t) = x(t) \sum_{k=-\infty}^{+\infty} \delta(t - kT_s)$  به دست می‌آید و سیگنال

$x_s(t)$  از فیلتر پایین گذر  $H(j\omega)$  عبور کرده و خروجی آن را با  $y(t)$  نمایش می‌دهیم. نسبت  $\frac{y(0)}{x(0)}$  کدام

است؟

$$H(j\omega) = \begin{cases} 1 & |\omega| \leq \pi \\ 0 & \text{سایر نقاط} \end{cases}$$



(۱)  $\frac{5}{4}$

(۲)  $\frac{4}{5}$

(۳)  $\frac{3}{2}$

(۴) ۱

۱۱۰- فرض کنید سیگنال گسسته زمان متناوب و حقیقی  $x[n]$  با دوره تناوب  $N = 5$  دارای متوسط صفر (یعنی  $a_0 = 0$ )

است. اگر در بسط سری فوریه این سیگنال دو تا از ضرایب به صورت:  $a_4 = 2 + j\sqrt{5}$ ,  $a_1 = -1 + j3$  باشد، توان

متوسط این سیگنال چقدر است؟

(۲) ۷۸

(۱) ۳۸

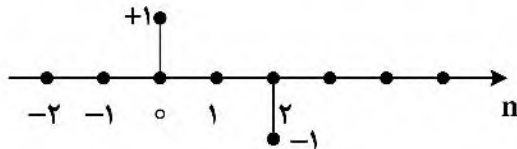
(۴) ۴۴

(۳) ۳۲

۱۱۱- تبدیل فوریه پاسخ ضربه یک سیستم گسسته خطی و تغییر ناپذیر با زمان به صورت زیر است.

$$H(e^{j\omega}) = \frac{1}{(1 - \frac{1}{4}e^{-j\omega})(3 - e^{j\omega})}$$

اگر پاسخ این سیستم به ورودی  $x(n)$  که در شکل زیر نمایش داده شده است  $y(n)$  باشد، مقدار  $\frac{y(1)}{y(0)}$ ، کدام است؟



(۱)  $\frac{5}{16}$

(۲)  $\frac{5}{7}$

(۳)  $\frac{3}{16}$

(۴)  $\frac{3}{7}$

۱۱۲- تبدیل لاپلاس پاسخ ضربه یک سیستم خطی و تغییر ناپذیر علی به صورت زیر است. اگر پاسخ این سیستم به

ورودی  $x(t) = tu(t)$  را با  $y(t)$  نمایش دهیم، مقدار  $y'(+\infty)$  کدام است؟ (  $y'(t) = \frac{d}{dt}y(t)$  )

$$H(s) = \frac{s^2 + 3s + 2}{(s + 3)}$$

(۲)  $\frac{2}{9}$

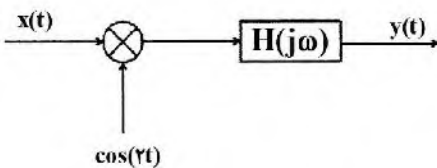
(۴)  $\frac{2}{3}$

(۱)  $\frac{7}{9}$

(۳)  $\frac{3}{2}$

۱۱۳- سیستم نشان داده شده در شکل زیر را در نظر بگیرید. سیگنال  $x(t) = \text{sinc}\left(\frac{t}{\pi}\right)\cos(3t)$  در ورودی این

سیستم قرار گرفته و فیلتر  $H(j\omega)$  نیز یک فیلتر پایین‌گذر ایدئال با فرکانس قطع  $a$  است. مقدار  $a$  چقدر انتخاب شود تا انرژی سیگنال خروجی  $y(t)$  برابر با ۲۰٪ انرژی سیگنال ورودی باشد؟



(۱) ۱

(۲)  $1/6$

(۳)  $0/4$

(۴) ۲

۱۱۴- پاسخ سیستم LTI علی با تابع تبدیل  $H(s) = \frac{s}{s+1}$  به ورودی  $x(t) = u(t) - e^{-2t}$  را با  $y(t)$  نمایش می‌دهیم.

مقدار  $y(0)$  کدام است؟

(۲) ۱

(۴) -۱

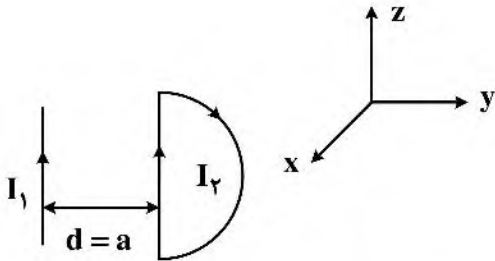
(۱) صفر

(۳)  $\infty$



الکترومغناطیس:

۱۱۵- در شکل زیر نیروی وارد بر نیم حلقه به شعاع  $a$  کدام است؟



$$\frac{\mu_0 I_1 I_2}{2\pi} \left( \gamma - \frac{\pi}{\gamma} \right) \hat{a}_y \quad (۱)$$

$$\frac{\mu_0 I_1 I_2}{\gamma \pi} \left( -\gamma + \frac{\pi}{\gamma} \right) \hat{a}_y \quad (۲)$$

$$\frac{\mu_0 I_1 I_2}{\pi} \left( \gamma - \frac{\pi}{\gamma} \right) \hat{a}_y \quad (۳)$$

$$\frac{\mu_0 I_1 I_2}{\pi} \left( -\gamma + \frac{\pi}{\gamma} \right) \hat{a}_y \quad (۴)$$

۱۱۶- یک کره به شعاع  $a$  دارای بار حجمی غیریکنواخت به چگالی  $\rho_v = \frac{\rho_0 r}{\sin \theta}$  است، که  $r$  فاصله تا مرکز کره است. این

کره با سرعت  $n$  دور برثانیه حول محور  $z$  می‌چرخد. شدت میدان مغناطیسی ( $H$ ) در مرکز کره چقدر است؟

$$\frac{\pi^2 n \rho_0 a^3}{\gamma} \hat{a}_z \quad (۲) \quad \frac{\pi^2 n \rho_0 a^3}{6} \hat{a}_z \quad (۱)$$

$$\frac{\pi^2 n \rho_0 a^3}{3} \hat{a}_z \quad (۴) \quad \frac{\pi^2 n \rho_0 a^3}{8} \hat{a}_z \quad (۳)$$

۱۱۷- یک حلقه دایروی به شعاع  $a$  در صفحه  $z=0$  به مرکز مبدأ مختصات قرار دارد. میدان مغناطیسی ثابت

$H = H_0 \hat{a}_z$  در فضا وجود دارد. مقاومت حلقه برابر  $\gamma$  اهم است. توان مکانیکی متوسط لازم جهت چرخاندن این

حلقه حول محور  $y$  با سرعت زاویه‌ای  $\omega$  رادیان برثانیه چقدر است؟

$$\frac{1}{6} \pi^2 \mu_0 \omega^2 a^4 H_0^2 \quad (۲) \quad \frac{1}{3} \pi^2 \mu_0 \omega^2 a^4 H_0^2 \quad (۱)$$

$$\frac{1}{4} \pi^2 \mu_0 \omega^2 a^4 H_0^2 \quad (۴) \quad \frac{1}{\gamma} \pi^2 \mu_0 \omega^2 a^4 H_0^2 \quad (۳)$$

۱۱۸- یک خازن کروی از دو کره هادی هم مرکز به شعاع‌های  $a$  و  $b$  ( $a > b$ ) تشکیل شده است. کره بیرونی زمین و بار

$Q$  روی کره داخلی قرار گرفته است. حال هادی خارجی را طوری کوچک می‌کنیم که از شعاع  $a$  به  $a'$  برسد.

مقدار کار انجام شده توسط میدان کدام است؟

$$\frac{Q^2}{2\pi \epsilon_0} \left( \frac{1}{a} + \frac{1}{a'} \right) \quad (۲) \quad \frac{Q^2}{2\pi \epsilon_0} \left( \frac{1}{a'} - \frac{1}{a} \right) \quad (۱)$$

$$\frac{Q^2}{8\pi \epsilon_0} \left( \frac{1}{a} + \frac{1}{a'} \right) \quad (۴) \quad \frac{Q^2}{8\pi \epsilon_0} \left( \frac{1}{a'} - \frac{1}{a} \right) \quad (۳)$$

۱۱۹- هادی کروی با هدایت یکنواخت  $\frac{\sigma}{m}$  دارای چگالی بار حجمی  $\rho_v$  است. به علت تقارن کروی هادی، لازم است که

$\vec{E} = E_r \vec{a}_r$  باشد.  $\vec{E}$  درون هادی به صورت تابعی از  $r$  و  $t$  کدام است؟ (فرض کنید ضریب دی‌الکتریک هادی

کروی  $\epsilon_0$  باشد و  $\rho_v(t)|_{t=0} = \rho_0$ )

$$\frac{\rho_0 \vec{a}_r}{3\epsilon_0} r e^{-\sigma t / \epsilon_0} \quad (۲) \quad \frac{\rho_0 \vec{a}_r}{2\epsilon_0} r e^{-\gamma \sigma t / \epsilon_0} \quad (۱)$$

$$\frac{\rho_0 \vec{a}_r}{6\epsilon_0} r e^{-\gamma \sigma t / \epsilon_0} \quad (۴) \quad \frac{\rho_0 \vec{a}_r}{6\epsilon_0} r e^{-\sigma t / \epsilon_0} \quad (۳)$$

۱۲۰- چهار هادی فیلامانی در  $z = 0$  و در  $x = -a$ ,  $x = -a - b$ ,  $x = a$  و  $x = a + b$  قرار گرفته‌اند. آن‌ها جریان‌های  $\bar{a}_y$  را به ترتیب برابر با  $I_1$ ,  $-I_1$ ,  $I_2$ ,  $-I_2$  از خود عبور می‌دهند. القاء متقابل بر واحد طول  $L_{12}$  در این مجموعه کدام است؟

$$\frac{\mu_0}{2\pi} \ln \left[ \frac{(2a+b)^2}{4a(a+b)} \right] \quad (2) \qquad \frac{\mu_0}{4\pi} \ln \left[ \frac{(2a+b)^2}{2a(a+b)} \right] \quad (1)$$

$$\frac{\mu_0}{2\pi} \ln \left[ \frac{(2a+b)^2}{2a(a+b)} \right] \quad (4) \qquad \frac{\mu_0}{4\pi} \ln \left[ \frac{(2a+b)^2}{4a(a+b)} \right] \quad (3)$$

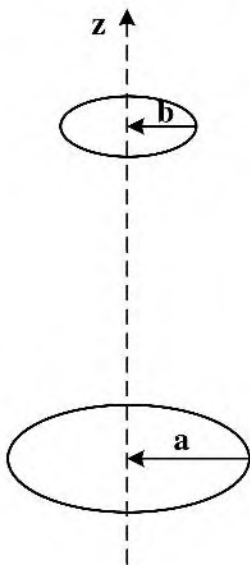
۱۲۱- یک صفحه بی‌نهایت دارای بار صفحه‌ای  $\rho_s \left( \frac{C}{m^2} \right)$  است. این صفحه در سطحی با معادله  $x - 2y + 3z = 4$  قرار گرفته

است. شدت میدان الکتریکی  $\bar{E}$  این صفحه در موقعیتی که مبدأ مختصات را شامل گردد، کدام است؟

$$\frac{+\rho_s}{\epsilon_0 \sqrt{14}} (\bar{a}_x - 2\bar{a}_y + 3\bar{a}_z) \quad (2) \qquad \frac{+\rho_s}{\epsilon_0 \sqrt{14}} (\bar{a}_x - 2\bar{a}_y + 3\bar{a}_z) \quad (1)$$

$$\frac{-\rho_s}{\epsilon_0 \sqrt{14}} (\bar{a}_x - 2\bar{a}_y + 3\bar{a}_z) \quad (4) \qquad \frac{-\rho_s}{\epsilon_0 \sqrt{14}} (\bar{a}_x - 2\bar{a}_y + 3\bar{a}_z) \quad (3)$$

۱۲۲- دو حلقه مدور مطابق شکل طوری قرار گرفته‌اند که محور آن‌ها در امتداد محور  $z$ ها بوده و  $b \ll a$  است. حلقه‌ها موازی یکدیگر هستند. با تقریب‌های لازم و این که  $c \gg a$  است، میزان ضریب القاء متقابل بین دو حلقه کدام است؟



$$\frac{\pi\mu_0 a^2 b^2}{2(a^2 + c^2)^2} \quad (1)$$

$$\frac{\pi\mu_0 a^2 b^2}{4(a^2 + c^2)^2} \quad (2)$$

$$\frac{2\mu_0 a^2 b^2}{(a^2 + c^2)^2} \quad (3)$$

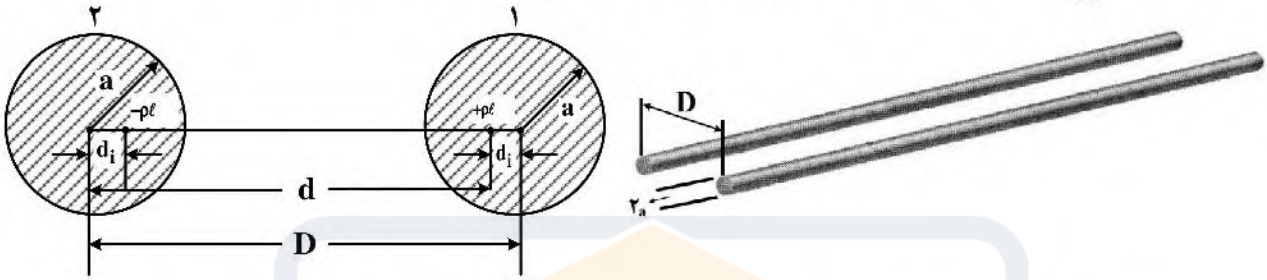
$$\frac{4\pi\mu_0 a^2 b^2}{(a^2 + c^2)^2} \quad (4)$$

۱۲۳- بارخطی با چگالی نامحدود  $\rho_L \left( \frac{C}{m} \right)$  به فاصله  $d$  از محور استوانه رسانای نامحدود به شعاع  $a$  قرار دارد.  $(d > a)$

برای تحلیل مسئله باید تصویر بار در داخل استوانه را به صورت  $-\rho_L \left( \frac{C}{m} \right)$  و به فاصله  $\frac{a^2}{d}$  از محور اصلی استوانه در

نظر گرفت. در این حالت پتانسیل استوانه برابر با  $\frac{\rho_L}{2\pi\epsilon} \ln \frac{a}{d}$  می‌شود. ظرفیت واحد طول خط ارتباط دو سیمه زیر را

برحسب  $\left( \frac{F}{m} \right)$  کدام است؟ (ضریب گذردهی مطلق اطراف هادی‌ها  $\epsilon$  فرض شده است).



$$C = \frac{\pi\epsilon}{\ln \left[ \frac{D}{2a} - \sqrt{\left( \frac{D}{2a} \right)^2 - 1} \right]} \quad (۲)$$

$$C = \frac{\pi\epsilon}{\ln \left[ \frac{D}{2a} + \sqrt{\left( \frac{D}{2a} \right)^2 - 1} \right]} \quad (۱)$$

$$C = \frac{\pi\epsilon}{\ln \left[ \frac{D}{2a} + \sqrt{\left( \frac{D}{2a} \right)^2 + 1} \right]} \quad (۴)$$

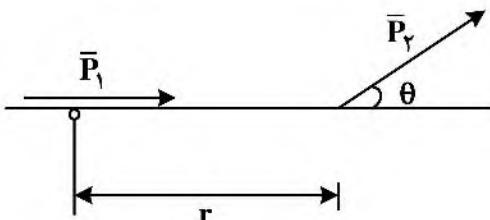
$$C = \frac{\pi\epsilon}{\ln \left[ \frac{D}{2a} - \sqrt{\left( \frac{D}{2a} \right)^2 + 1} \right]} \quad (۳)$$

۱۲۴- کره فلزی به شعاع  $a$  را در یک فضای نامتناهی که دارای ضریب دی‌الکتریکی نسبی  $\left( 1 + \frac{a^2}{r^2} \right)$  است قرار

می‌دهیم. ظرفیت کره چند برابر می‌شود؟

- ۶ (۱)      ۲ (۲)      ۱۶ (۳)      ۴ (۴)

۱۲۵- دو دوقطبی با ممان‌های الکتریکی  $\bar{P}_1$  و  $\bar{P}_2$  به صورت زیر در دست است. نیروی وارده بین  $\bar{P}_1$  و  $\bar{P}_2$  را برحسب زاویه  $\theta$  و فاصله بین آن دو کدام است؟



$$\frac{3}{4\pi\epsilon_0 r^3} [P_1 r - 3P_1 r \cos \theta] \bar{P}_2 \quad (۱)$$

$$\frac{3}{4\pi\epsilon_0 r^3} [P_1 \bar{P}_2 - 3P_1 P_2 \cos \theta \bar{r}] \quad (۲)$$

$$\frac{3}{4\pi\epsilon_0 r^3} [P_1 P_2 - 3P_1 P_2 \cos \theta] \bar{r} \quad (۳)$$

$$\frac{3}{4\pi\epsilon_0 r^3} [P_1 P_2 \bar{r} - 3P_1 r \cos \theta \bar{P}_2] \quad (۴)$$



۱۲۶- کره رسانای بدون باری به شعاع  $a$  که مرکز آن مبدأ مختصات است، مفروض است. یک میله به طول  $4a$  به موازات محور  $y$  مطابق شکل در کنار کره آورده می‌شود، به طوری که مختصات انتهای آن نقطه  $(3a, 0, 0)$  و دارای چگالی

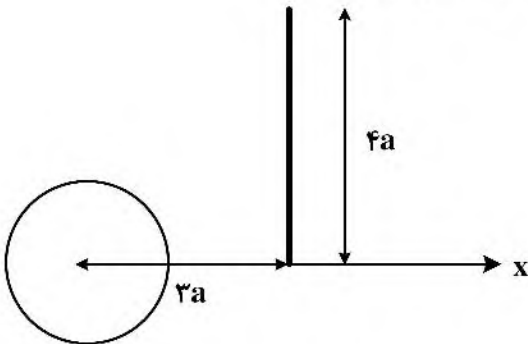
بار طولی غیریکنواخت  $\rho_1 = \frac{2\pi\epsilon_0 y}{a} \left(\frac{C}{m}\right)$  است. پتانسیل کره چند ولت خواهد بود؟

(۱) ۱/۵

(۲) ۲

(۳) ۱

(۴) ۱/۸



مقدمه‌ای بر مهندسی پزشکی:

۱۲۷- مقدار ولتاژ ترمینال مرکزی ویلسون در دستگاه الکتروکاردیوگرافی چقدر است؟

(۱) میانگین لیدهای سینه‌ای

(۲) حداقل لیدهای دوقطبی اندامی

(۳) ولتاژ پای راست

(۴) میانگین لیدهای دوقطبی اندامی

۱۲۸- کدام یک از قطعات زیر برای حفاظت دستگاه الکتروکاردیوگرافی در برابر ولتاژهای گذرای بالا، استفاده نمی‌شود؟

(۱) دیود سیلیکونی

(۲) لامپ نئون

(۳) دیود تونل

(۴) دیود زنر

۱۲۹- منشأ موج T در الکتروکاردیوگرام کدام است؟

(۱) ریپلاریزاسیون بطن‌ها

(۲) ریپلاریزاسیون دهلیزها

(۳) دیپلاریزاسیون بطن‌ها

(۴) دیپلاریزاسیون دهلیزها

۱۳۰- برای اندازه‌گیری دمای متوسط توسط ترموکوپل‌ها از چه روشی استفاده می‌شود؟

(۱) از پل وتستون استفاده می‌کنند.

(۲) سنسورها را به صورت موازی استفاده می‌کنند.

(۳) از یک دمای مرجع استفاده می‌شود.

(۴) سنسورها را به صورت سری استفاده می‌کنند.

۱۳۱- یک محیط سلولی فقط شامل پتاسیم و کلر است. غشا سلول دارای یک پمپ پتاسیمی است و غلظت‌ها و جریان‌ها یونی به تعادل رسیده است. کدام گزینه در مورد جریان این پمپ در حالت تعادل درست است؟

(۱) با نسبت غلظت پتاسیم در داخل و خارج رابطه مستقیم دارد.

(۲) با اختلاف غلظت پتاسیم داخل و خارج در حالت پایدار رابطه مستقیم دارد.

(۳) مستقل از دمای محیط است.

(۴) از اختلاف غلظت کلر داخل و خارج در حالت پایدار مستقل است.

۱۳۲- کدام گزینه در مورد سیگنال‌های EEG، EMG و ECG درست است؟

(۱) منشأ غالب سیگنال EEG دوقطبی‌های جریان در دندریتها و بدنه سلول‌های عصبی است.

(۲) منشأ غالب سیگنال EMG دوقطبی‌های جریان در آکسون موتور نورون‌ها است که با عضلات تشکیل سیناپس می‌دهند.

(۳) اندازه سیگنال‌های EMG عموماً از سیگنال‌های EEG کوچکتر است.

(۴) منشأ غالب سیگنال‌های ECG دوقطبی‌های جریان در فیبرهای پرکینجی در دیواره بطن‌ها هستند.

- ۱۳۳- کدام گزینه در مورد امپدانس الکتروود فلزی که داخل بافت قرار گرفته، درست است؟  
 (۱) با افزایش فرکانس سیگنال، اندازه امپدانس الکتروود عموماً کاهش می‌دهد.  
 (۲) امپدانس الکتروودهای با پلاریزیشن کمتر تابعیت قوی‌تری از فرکانس سیگنال دارد.  
 (۳) در فرکانس‌های بالا امپدانس غالب الکتروود، خازنی خواهد بود.  
 (۴) امپدانس الکتروودهای با پلاریزیشن بالا به ارتیفکت حرکتی عموماً کمتر است.
- ۱۳۴- کدام گزینه در مورد پالس اکسی‌متر نادرست است؟  
 (۱) اندازه‌گیری ضربان قلب با استفاده از آن ممکن است.  
 (۲) دستگاه اندازه‌گیری نوری برمبنای قانون بیر - لمبرت انجام می‌دهد.  
 (۳) اندازه‌گیری pH خون با استفاده از آن انجام می‌شود.  
 (۴) برای اندازه‌گیری درصد اشباع خون از اکسیژن از آن استفاده می‌شود.
- ۱۳۵- کدام الکتروود حتی پس از قرارگرفتن در معرض یک شارژ الکتریکی بزرگ مانند دیفیبریلاتور می‌تواند کار کند؟  
 (۱) مغناطیسی  
 (۲) الکترولیتیک  
 (۳) پلاریزه  
 (۴) غیرقابل پلاریزه
- ۱۳۶- کدام یک از موارد زیر جزء بلوک‌های اساسی در سیستم ثبت نیست؟  
 (۱) الکتروودها و مبدل‌ها  
 (۲) آنالیز خروجی  
 (۳) بهسازی سیگنال  
 (۴) نمایش خروجی
- ۱۳۷- کدام سیگنال برای اندازه‌گیری سرعت هدایت عصب استفاده می‌شود؟  
 (۱) EEG  
 (۲) AP  
 (۳) VEP  
 (۴) ENG
- ۱۳۸- کدام عامل نقش مؤثرتری در سرعت انتشار مکانی موج تحریک الکترو فیزیولوژیکی در عضله بطن قلب دارد؟  
 (۱) اتصالات شکافدار  
 (۲) فیبرهای پورکینز  
 (۳) گره دهلیزی بطنی  
 (۴) تبادلات یونی در مایع خارج سلولی

مشاهده کلید اولیه سوالات آزمون کارشناسی ارشد 1401

به اطلاع می‌رساند، کلید اولیه سوالات که در این سایت قرار گرفته است، غیر قابل استناد است و پس از دریافت نظرات داوطلبان و صاحب نظران کلید نهایی سوالات تهیه و بر اساس آن کارنامه داوطلبان استخراج خواهد شد. در صورت تمایل می‌توانید حداکثر تا تاریخ 1401/03/11 با مراجعه به سامانه پاسخگویی اینترنتی (request.sanjesh.org) نسبت به تکمیل فرم "اعتراض به کلید سوالات"/"آزمون کارشناسی ارشد سال 1401" اقدام نمایید. لازم به ذکر است نظرات داوطلبان فقط تا تاریخ مذکور و از طریق فرم ذکر شده دریافت خواهد شد و به موارد ارسالی از طریق دیگر (نامه مکتوب یا فرم عمومی در سامانه پاسخگویی و ...) یا پس از تاریخ اعلام شده رسیدگی نخواهد شد.

عنوان دفترچه	نوع دفترچه	گروه امتحانی
مهندسی برق	C	فنی و مهندسی

شماره سوال	گزینه صحیح	شماره سوال	گزینه صحیح	شماره سوال	گزینه صحیح	شماره سوال	گزینه صحیح	شماره سوال	گزینه صحیح	شماره سوال	گزینه صحیح
1	3	31	1	61	4	91	1	121	3	151	سفید
2	4	32	4	62	3	92	4	122	1	152	سفید
3	1	33	2	63	4	93	3	123	1	153	سفید
4	3	34	3	64	1	94	2	124	4	154	سفید
5	2	35	1	65	2	95	4	125	2	155	سفید
6	1	36	2	66	3	96	1	126	3	156	سفید
7	4	37	3	67	1	97	4	127	4	157	سفید
8	2	38	1	68	4	98	3	128	3	158	سفید
9	3	39	4	69	2	99	4	129	1	159	سفید
10	2	40	2	70	1	100	2	130	2	160	سفید
11	2	41	4	71	4	101	2	131	2	161	سفید
12	1	42	1	72	3	102	3	132	1	162	سفید
13	3	43	3	73	1	103	3	133	1	163	سفید
14	4	44	4	74	2	104	4	134	3	164	سفید
15	1	45	2	75	2	105	1	135	4	165	سفید
16	2	46	3	76	4	106	2	136	2	166	سفید
17	2	47	1	77	2	107	2	137	4	167	سفید
18	1	48	2	78	1	108	3	138	2	168	سفید
19	3	49	4	79	1	109	4	139	سفید	169	سفید
20	3	50	4	80	2	110	1	140	سفید	170	سفید
21	4	51	2	81	1	111	3	141	سفید	171	سفید
22	1	52	1	82	4	112	4	142	سفید	172	سفید
23	3	53	1	83	1	113	2	143	سفید	173	سفید
24	2	54	3	84	2	114	3	144	سفید	174	سفید
25	4	55	2	85	1	115	4	145	سفید	175	سفید
26	2	56	3	86	3	116	1	146	سفید	176	سفید
27	3	57	1	87	4	117	4	147	سفید	177	سفید
28	1	58	4	88	2	118	3	148	سفید	178	سفید
29	4	59	2	89	3	119	2	149	سفید	179	سفید
30	1	60	2	90	1	120	2	150	سفید	180	سفید
شماره سوال	گزینه صحیح	شماره سوال	گزینه صحیح	شماره سوال	گزینه صحیح	شماره سوال	گزینه صحیح	شماره سوال	گزینه صحیح	شماره سوال	گزینه صحیح
181	سفید	211	سفید	241	سفید	271	سفید	301	سفید		
182	سفید	212	سفید	242	سفید	272	سفید	302	سفید		
183	سفید	213	سفید	243	سفید	273	سفید	303	سفید		
184	سفید	214	سفید	244	سفید	274	سفید	304	سفید		
185	سفید	215	سفید	245	سفید	275	سفید	305	سفید		
186	سفید	216	سفید	246	سفید	276	سفید	306	سفید		
187	سفید	217	سفید	247	سفید	277	سفید	307	سفید		
188	سفید	218	سفید	248	سفید	278	سفید	308	سفید		