



قدم به قدم، همراه دانشجو...

WWW.GhadamYar.Com

جامع ترین و به روزترین پرتال آزمونهای شغلی کشور (پرتال دانش) با ارائه خدمات رایگان، آموزشی، راهنمای آزمونهای شغلی و... برای دانشجویان

- (۱) راهنمای آزمون های حقوقی به همراه دفترچه سوالات سالهای گذشته ( رایگان ) شامل آزمونهای وکالت ( اسکودا و مشاوران قوه ) ، قضاوت ، اختبار، سردفتری، دفتریاری و ...
- (۲) راهنمای آزمون های کارشناسان رسمی دادگستری به همراه سوالات سالهای گذشته (رایگان)
- (۳) راهنمای آزمون های نظام مهندسی به همراه دفترچه سوالات سالهای گذشته ( رایگان )
- (۴) ارائه جزوات و منابع رایگان برای آمادگی در آزمونهای شغلی
- (۵) آخرین اخبار آزمونهای شغلی، از خبرگزاری های پربازدید
- (۶) معرفی روش های مقاله و پایان نامه نویسی و ارائه پکیج های آموزشی مربوطه
- (۷) ارائه سوالات کنکور مقاطع مختلف سالهای گذشته، همراه پاسخ، به صورت رایگان
- (۸) معرفی آموزشگاه های معتبر جهت آزمونهای شغلی
- (۹) ....



کد کنترل

664

B



# آزمون ورودی دوره‌های کارشناسی ارشد ناپیوسته داخل - سال ۱۴۰۱

صبح جمعه

۱۴۰۱/۰۲/۳۰



«اگر دانشگاه اصلاح شود مملکت اصلاح می‌شود.»  
امام خمینی (ره)

جمهوری اسلامی ایران  
وزارت علوم، تحقیقات و فناوری  
سازمان سنجش آموزش کشور

## مهندسی کامپیوتر (کد ۱۲۷۷)

زمان پاسخ‌گویی: ۲۴۰ دقیقه

تعداد سؤال: ۱۲۰

جدول مواد امتحانی، تعداد و شماره سؤال‌ها

ردیف	مواد امتحانی	تعداد سؤال	از شماره	تا شماره
۱	زبان عمومی و تخصصی (انگلیسی)	۳۰	۱	۳۰
۲	ریاضیات (ریاضی عمومی (۲و۱)، آمار و احتمال مهندسی، ریاضیات گسسته)	۲۰	۳۱	۵۰
۳	دروس تخصصی ۱ (نظریه زبان‌ها و ماشین‌ها، سیگنال‌ها و سیستم‌ها)	۱۰	۵۱	۶۰
۴	دروس تخصصی ۲ (ساختمان داده‌ها، طراحی الگوریتم و هوش مصنوعی)	۲۰	۶۱	۸۰
۵	دروس تخصصی ۳ (مدار منطقی، معماری کامپیوتر و الکترونیک دیجیتال)	۲۰	۸۱	۱۰۰
۶	دروس تخصصی ۴ (سیستم‌های عامل، شبکه‌های کامپیوتری و پایگاه داده‌ها)	۲۰	۱۰۱	۱۲۰

این آزمون نمره منفی دارد.

استفاده از ماشین حساب مجاز نیست.

حق چاپ، تکثیر و انتشار سؤال‌ها به هر روش (الکترونیکی و...) پس از برگزاری آزمون، برای همه اشخاص حقیقی و حقوقی تنها با مجوز این سازمان مجاز می‌باشد و با متخلفان برابر مقررات رفتار می‌شود.



\* متقاضی گرامی، وارد نکردن مشخصات و امضا در کادر زیر، به منزله غیبت و حضور نداشتن در جلسه آزمون است.

اینجانب ..... با شماره داوطلبی ..... با آگاهی کامل، یکسان بودن شماره سندلی خود را با شماره داوطلبی مندرج در بالای کارت ورود به جلسه، بالای پاسخنامه و دفترچه سؤالها، نوع و کد کنترل درج شده بر روی دفترچه سؤالها و پایین پاسخنامهام را تأیید می‌نمایم.

امضا:

زبان عمومی و تخصصی (انگلیسی):

### PART A: Vocabulary

**Directions:** Choose the word or phrase (1), (2), (3), or (4) that best completes each sentence. Then mark the answer on your answer sheet.

- 1- Please leave ----- directions for the housekeeper, so she knows what needs to be done.  
1) explicit                      2) cursory                      3) restless                      4) authentic
- 2- The islands ----- their name from the sacred images found on them by the early European navigators.  
1) grasp                      2) infer                      3) illustrate                      4) derive
- 3- People love the Presidio because it is in close ----- to many area attractions, including the famous aquarium, the SFB Morse Botanical Reserve and the Spanish Bay Resort Golf Course.  
1) observation                      2) accord                      3) proximity                      4) relevance
- 4- This system, which for many years subsequently was regarded as authoritative, has been subjected to ----- criticism by later economists, and it is perhaps not too much to say that it now possesses mainly a historical interest.  
1) shaky                      2) vigorous                      3) feeble                      4) transient
- 5- Although Norman could ----- his sister's story about her innocence to absolve her, he refused to do so because he was angry at her.  
1) retain                      2) fulfill                      3) testify                      4) corroborate
- 6- When he came in to tea, silent, -----, and with tear-stained face, everybody pretended not to notice anything.  
1) morose                      2) mercurial                      3) showy                      4) facetious
- 7- Since color is absorbed as it travels through water, the deeper you are, the more likely you will notice a ----- in the clarity of reds, oranges and yellows.  
1) competition                      2) reduction                      3) deception                      4) intensification
- 8- As the students argued, the teacher tried to ----- them into silence with the threat of a detention.  
1) coerce                      2) condense                      3) condemn                      4) impose
- 9- Teachers who consider cartoons and comic books ----- to students' literacy skills often use class time to deride these media.  
1) indispensable                      2) conducive                      3) harmful                      4) pertinent
- 10- Salt is valued not only because of its ----- as a condiment and preservative, but also because they are essential to the health of humans and animals.  
1) temptations                      2) predictors                      3) properties                      4) variances

**PART B: Cloze Test**

**Directions:** Read the following passage and decide which choice (1), (2), (3), or (4) best fits each space. Then mark the correct choice on your answer sheet.

Being funny has no place in the workplace and can easily wreak havoc (11) ----- an otherwise blossoming career. Of course, laughter is necessary in life. But if you crack jokes (12) ----- snide remarks at work, you will eventually not be taken (13) ----- . You will be seen as someone who wastes time (14) ----- could better be spent discussing a project or an issue. Additionally, many corporate-minded individuals do not have the time to analyze comments with hidden meanings-they will take what you say (15) ----- and as an accurate representation of your professionalism in the workplace.

- |     |                        |                |                              |                    |
|-----|------------------------|----------------|------------------------------|--------------------|
| 11- | 1) for                 | 2) at          | 3) in                        | 4) on              |
| 12- | 1) then make           | 2) and make    | 3) to be made                | 4) which they make |
| 13- | 1) seriously by others |                | 2) being seriously by others |                    |
|     | 3) serious by others   |                | 4) by some others serious    |                    |
| 14- | 1) that it             | 2) that        | 3) when                      | 4) and             |
| 15- | 1) that is absolute    | 2) be absolute | 3) as absolute               | 4) is absolute     |

**PART C: Reading Comprehension**

**Directions:** Read the following three passages and answer the questions by choosing the best choice (1), (2), (3), or (4). Then mark the correct choice on your answer sheet.

**PASSAGE 1:**

When a user enters a query into a search engine (typically by using keywords), the engine examines its index and provides a listing of best-matching web pages according to its criteria, usually with a short summary containing the document title and sometimes parts of the text. The index is built from the information stored and the method by which the information is indexed. The usefulness of a search engine depends on the relevance of the results set it gives back. For instance, there may be millions of web pages that include a particular word or phrase, but some pages may be more relevant, popular, or authoritative than others. Most search engines employ methods to rank the results to list the "best" results first. How a search engine decides which pages are the best matches, and in what order the results should be presented, varies widely from one engine to another. Also, search engine ranking methods change over time as the way users interact with internet services changes and new techniques evolve.

Many search engines, such as Google and Bing provide customized results based on the user's activity history. This leads to an effect that is called a filter bubble. The term describes a phenomenon in which websites use algorithms to selectively guess what information a user would like to see, based on information about the user (such as location, past click behavior and search history). As a result, websites tend to show



only information that agrees with the user's past viewpoint, effectively isolating the user in a bubble that tends to exclude contrary information.

- 16- **There are different search engines in terms of -----.**
- 1) speed and efficiency of the search results
  - 2) the technique used to provide the search results
  - 3) the authority of the provided search results
  - 4) the relevance of the set they give back
- 17- **All of the following are the main jobs of search engines EXCEPT -----.**
- 1) providing list of the best-matching web pages
  - 2) providing an index from the information stored
  - 3) providing the search in descending ranked order
  - 4) providing information that agrees with the user's past viewpoint
- 18- **The word "evolve" in the last line of paragraph 1 means -----.**
- 1) convert
  - 2) appear
  - 3) develop
  - 4) substitute
- 19- **According to the passage, which sentence is True?**
- 1) The index is made up of the information stored.
  - 2) Bing search engine customizes results using a filter bubble.
  - 3) The user's activity history is used to index the search engine.
  - 4) Search engine index contains a short summary of documents' title.
- 20- **Following the passage, which one is correct?**
- 1) The search results of search engine are listed based on the size of each result's text corpus.
  - 2) A customized search engine provides the results following the past selected results of the user.
  - 3) An algorithm is used to bubble the search engine's results.
  - 4) A search engine with a customized results are more popular.

**PASSAGE 2:**

To "recover" data from a bad sector, one would simply need to issue the Read Long command instead of the "normal" Read Sectors command. That is really it! It is so simple that any software developer who is familiar with hard drives can do it. And sure enough, more and more data recovery tools now come with a Bad Sector Recovery option. In fact, if a tool does not have a bad sector recovery feature, it automatically falls into a second-grade category.

Error checking and correction algorithms were implemented for a reason, which is data integrity. When a hard drive reads a sector with the Read Long command, it disables these algorithms and hence there is no way to prove that you get valid data. Instead, you get something, which may or may not resemble your customer's data.

Tests in our lab had shown that this approach allows you to get much more random bytes than anything else. Yes, there are cases where this approach allows recovering original data from a sector. But these cases are extremely rare in real data recovery scenarios, and even then, only a part of the recovered sector will contain valid data.

There are tools that claim better bad sector recovery. But they utilize a statistical approach, an algorithm where the tool reads the bad sector a number of times and then reconstructs the "original" sector by locating the bits that occur most often in the



sector. While these tools claim this approach could improve the outcome, there is no evidence to back up the validity of such claims. Furthermore, re-reading the same spot many times while the hard drive is failing is a reliable way to cause permanent damage to the media or heads.

- 21- **The best title for this passage is -----.**
- 1) What is common with data corruption?
  - 2) Understanding bad sector options.
  - 3) Debunking bad sector recovery.
  - 4) How bad sector recovery works?
- 22- **To verify data integrity, a hard drive -----.**
- 1) prevents the data corruption through the use of some mechanisms
  - 2) makes data more actionable by adding a layer of richness and complexity to it
  - 3) proves that you get valid data by reading a sector with the Read Long command
  - 4) will always validate it with error checking and correction algorithm
- 23- **According to the passage, recovering original data from a sector -----.**
- 1) is usually possible up to an extent
  - 2) is fully possible only in our testes in a lab
  - 3) is carried out by omitting the random bytes
  - 4) is a consequence of using the proper approach
- 24- **Statistical approach, as stated in the passage, -----.**
- 1) reconstructs the original sector by locating the bits
  - 2) is a reliable and trustful way to back up data
  - 3) is a tool optimizing the results of bad sector recovery
  - 4) represents a claim that its authenticity has not been proven
- 25- **The word “outcome” in paragraph 4 means -----.**
- 1) consequence      2) motivation      3) observation      4) consideration

**PASSAGE 3:**

There are two important types of packet networks: connectionless packet networks and connection-oriented packet networks. Connectionless packet networks operate in a way analogous to the post office. Connectionless networks offer best effort packet-delivery service. Connectionless packets are launched into the network with a large and powerful header that contains all the information necessary to deliver the packet, whatever its destination. As a by-product of their connectionless nature, it is not possible to guarantee performance or reserve network resources for any particular communication, so connectionless networks do not support real-time services reliably. The switches in the network are stateless. When the network is subjected to overload, packets are buffered for later delivery. If the buffer capacity is exceeded, the packets are discarded. In connectionless networks there is no guarantee that all packets will traverse the same network path and be subject to the same delays. If a communication requires the transmission of a series of packets, it is up to the end stations to ensure that the sequence is preserved.

Connection-oriented packet networks have similarities with both circuit networks and packet networks. They are like circuit networks in that a connection, called a virtual circuit, must be established before data can be transported. Network nodes are

prepared to support virtual circuits, and they devote resources to them. The resources include buffer memory and link bandwidth. Assumptions are made about the traffic likely to be contributed by all the sources, and the network may overload if all sources begin sending packets at their peak rate. Occasional pileups of traffic are to be expected and are handled by maintaining local memory to buffer packets until it is possible to transmit them. The network is not stateless. When all the resources are committed, the network may deny requests to establish new virtual circuits. The headers of connection-type packet networks can be shorter than those of connectionless networks because the addressing portion of the header needs only to distinguish each virtual circuit from each other established on common links and switch ports.

- 26- In connectionless packet networks, a packet is lost due to -----.
- 1) data delivery in many systems
  - 2) unreliable real-time services
  - 3) network congestion
  - 4) connection release
- 27- In connectionless type, data is sent outward -----.
- 1) by defining point of origin
  - 2) without regard for the recipient
  - 3) with the least error on the receiver's end
  - 4) by demanding bi-directional communications
- 28- All of the following are characteristics of a connection-type packet network EXCEPT -----.
- 1) all of packets between sender and destination follow the same path
  - 2) it makes virtual connections before sending packets
  - 3) it needs authentication of the destination
  - 4) it doesn't store the state of all connections that are present
- 29- Which sentence, according to the passage, is True?
- 1) Network nodes in connection-oriented services devote bandwidth and buffer memory to virtual circuits.
  - 2) Connectionless packet networks are mostly utilized by post offices.
  - 3) To provide connection-oriented services, it is optional to establish a connection first.
  - 4) Connectionless packet network is safer because of its powerful header.
- 30- The writer's tone of this passage is -----.
- 1) curious
  - 2) superficial
  - 3) apprehensive
  - 4) persuasive

ریاضیات (ریاضی عمومی (۱ و ۲)، آمار و احتمال مهندسی، ریاضیات گسسته):

۳۱- به ازای چه تعداد عدد طبیعی  $n \leq ۱۰۰۱$ ، تساوی  $(\sin \theta + i \cos \theta)^n = \sin(n \theta) + i \cos(n \theta)$  برقرار است؟

(۱) ۵۰۱

(۲) ۵۰۰

(۳) ۲۵۱

(۴) ۲۵۰



۳۲- حاصل  $\lim_{x \rightarrow \infty} (\sin \sqrt{x+1} - \sin \sqrt{x})$  کدام است؟

- (۱) صفر  
(۲) ۱  
(۳)  $\frac{\sqrt{2}}{2}$   
(۴) حد وجود ندارد.

۳۳- کدام مورد، دربارهٔ تابع  $F(x) = \int_0^x \frac{\sin^2 t}{1+t^2} dt$  بر  $\mathbb{R}$  درست است؟

- (۱) تابع  $F$  اکستریم نسبی ندارد و کران دار نیست.  
(۲) تابع  $F$  کران دار است ولی اکستریم ندارد.  
(۳) تابع  $F$  کران دار است و در نقاط  $\{k\pi, k \in \mathbb{Z}\}$  دارای اکستریم مطلق است.  
(۴) تابع  $F$  در نقاط  $\{k\pi, k \in \mathbb{Z}\}$  دارای اکستریم نسبی است ولی کران دار نیست.

۳۴- اگر  $f(x) = x^3 - \frac{1}{3!}x^5 + \frac{1}{5!}x^7 - \frac{1}{7!}x^9 + \dots$ ، آنگاه  $f'(\frac{\pi}{2})$  کدام است؟

- (۱)  $\pi$   
(۲) ۱  
(۳) صفر  
(۴)  $\frac{\pi}{2}$

۳۵- طول قوس منحنی  $y = \ln\left(\frac{e^x+1}{e^x-1}\right)$ ، از نقطه  $x=1$  تا نقطه  $x=2$ ، کدام است؟

- (۱)  $\ln\left(e^2 - \frac{1}{e^2}\right)$   
(۲)  $\ln\left(e^2 + \frac{1}{e^2}\right)$   
(۳)  $\ln\left(e - \frac{1}{e}\right)$   
(۴)  $\ln\left(e + \frac{1}{e}\right)$

۳۶- مشتق جهتی تابع زیر در نقطه  $(0,0)$  در راستای کدام بردار موجود است؟

$$f(x,y) = \begin{cases} \frac{x}{x-y} & x \neq y \\ 0 & x = y \end{cases}$$

- (۱)  $j$  و  $i+j$   
(۲)  $i$  و  $i-j$   
(۳)  $i$  و  $i+j$   
(۴)  $j$  و  $i-j$

۳۷- براساس داده‌های ارائه شده در زیر، چندک  $Q_{0.85}$ ،  $(Q_{0.85})$ ، کدام است؟

۴, ۰, ۱, ۳, ۲, ۵, ۱, ۰, ۳, ۱, ۲, ۴, ۳, ۱, ۶, ۰, ۷, ۳, ۸, ۲

- (۱) ۳,۷۵  
(۲) ۵,۴۵  
(۳) ۵,۸۵  
(۴) ۶,۲۵



۳۸- اگر  $P(E) = P(F) = 0.6$  و  $P(E|F) = 0.8$  باشد، کدام مورد درست است؟

(۱)  $P(E|F^c) = 0.5$

(۲)  $P(E|F^c) = 0.2$

(۳)  $P(E^c|F^c) = 0.6$

(۴)  $P(E^c|F^c) = 0.7$

۳۹- تاسی را ۷ مرتبه پرتاب می‌کنیم. احتمال اینکه هر خال حداقل یک مرتبه مشاهده شود، کدام است؟

(۱)  $\frac{7 \times 6!}{2 \times 6^6}$

(۲)  $\frac{5!}{6^5}$

(۳)  $\frac{7 \times 6!}{6^7}$

(۴)  $\frac{7}{6^5}$

۴۰- یک سیستم شامل ۳ جزء است که همانند شکل زیر به هم متصل شده‌اند. این سیستم مشغول به کار است، هرگاه A و یکی از اجزاء B یا C مشغول به کار باشند. اگر اجزاء مستقل از یکدیگر کارکنند و احتمال کارکردن هر جزء

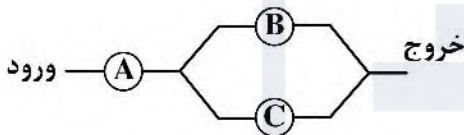
0.9 باشد، احتمال اینکه سیستم مشغول به کار باشد، کدام است؟

(۱) 0.75

(۲) 0.81

(۳) 0.89

(۴) 0.96



۴۱- هرگاه  $X_1, X_2, \dots, X_{60}$  متغیرهای تصادفی مستقل و هم‌توزیع با تابع چگالی احتمال  
 $f(x) = \begin{cases} 2x & 0 < x < 1 \\ 0 & \text{سایر نقاط} \end{cases}$

باشند، مقدار  $P\left(\sum_{i=1}^{60} X_i > 40\right)$  به‌طور تقریبی برابر کدام مورد است؟

(۱) 0.25

(۲) 0.5

(۳) 0.6

(۴) 0.75

۴۲- فرض کنید  $T$  مدت زمان مکالمه تلفنی باشد و داشته باشیم  $F_T(t) = 1 - ae^{-\lambda t} - (1-a)e^{-\mu t}$  که  $\lambda$  و  $\mu$  مقادیر ثابت،  $0 < a < 1$  و  $\lambda, \mu > 0$  هستند. میانگین مکالمه تلفنی برابر کدام مورد است؟

(۱)  $a\lambda - (1-a)\mu$

(۲)  $\frac{a}{\lambda} - \frac{1-a}{\mu}$

(۳)  $a\lambda + (1-a)\mu$

(۴)  $\frac{a}{\lambda} + \frac{1-a}{\mu}$

۴۳- فرض کنید  $X$  و  $Y$  دارای تابع احتمال توأم زیر باشند. مقدار  $P(X=1|Y=2)$  کدام است؟

		x			
		۱	۲	۳	
y	۱	۰٫۲۵	۰٫۱۵	۰٫۱	۰٫۵ (۱)
	۲	۰٫۰۵	۰٫۳۵	۰٫۱	۰٫۱ (۲)

(۱) ۰٫۵

(۲) ۰٫۱

(۳) ۰٫۲

(۴) ۰٫۳

۴۴- اگر  $n$  تاس را به طور همزمان پرتاب کنیم، چند حالت مختلف می تواند رخ دهد؟ (دو حالت از پرتاب تاسها مختلف هستند، اگر به ازای حداقل یک عدد  $i$  ( $1 \leq i \leq 6$ )، تعداد تاسهایی که وجه بالایی آنها عدد  $i$  را نشان می دهد، در این دو پرتاب مختلف باشند).

(۱)  $6^n$

(۲)  $6n$

(۳)  $\binom{6n}{n}$

(۴)  $\binom{n+5}{n}$

۴۵- کدام یک از هم‌ارزی‌های منطقی زیر، (به ترتیب الف و ب) همیشه برقرار است؟

الف)  $\neg(\exists x [P(x) \wedge Q(x)]) \equiv \forall x [P(x) \rightarrow \neg Q(x)]$

ب)  $((p \rightarrow q) \wedge ((q \wedge r) \rightarrow s) \wedge r) \rightarrow (p \rightarrow s) \equiv \text{True}$

(۱) درست، درست

(۲) نادرست، درست

(۳) درست، نادرست

(۴) نادرست، نادرست

۴۶- کدام یک از گزاره‌های زیر به ترتیب، درست است؟

الف) مجموعه تمام دنباله‌های اکیداً صعودی از اعداد طبیعی شمارا است.

ب) مجموعه تمام دنباله‌های اکیداً نزولی از اعداد طبیعی شمارا است.

(۱) نادرست، نادرست

(۲) نادرست، درست

(۳) درست، نادرست

(۴) درست، درست



۴۷- جایگشتی از اعداد ۱ تا  $n$  که در آن هیچ عدد  $i$  در محل  $i$  قرار نگرفته باشد، یک پریش نامیده می‌شود. فرض کنید  $D_n$  برابر تعداد پریش‌های مختلف اعداد ۱ تا  $n$  باشد. کدام رابطه بازگشتی برای  $D_n$  به‌ازای  $(n > 2)$  برقرار است؟

$$(1) D_n = (n-1)D_{n-1} + (n-2)D_{n-2}$$

$$(2) D_n = (n-1)(D_{n-1} + D_{n-2})$$

$$(3) D_n = nD_{n-1} - (n-1)D_{n-2}$$

$$(4) D_n = (n-1)D_{n-1}$$

۴۸- کدام یک از گزاره‌های زیر به ترتیب، درست است؟

الف) به‌ازای هر عدد طبیعی دلخواه مانند  $k$ ، اعداد  $2k+1$  و  $4k+9$  نسبت به هم اول هستند.

ب) معادله  $n^2 + 1 = (n-1)!$  در مجموعه اعداد طبیعی تنها یک جواب دارد.

(۱) نادرست، نادرست

(۲) درست، نادرست

(۳) درست، درست

(۴) نادرست، درست

۴۹- رابطه  $R$  را روی مجموعه  $A$  در نظر بگیرید. با استفاده از  $R$  رابطه  $S$  را به شکل زیر تعریف می‌کنیم:  
 $xSy \leftrightarrow xRy \vee yRx$

کدام مورد در خصوص گزاره‌های زیر به ترتیب، درست است؟

الف) اگر  $R$  تراییبی باشد، آن‌گاه  $S$  نیز لزوماً تراییبی است.

ب) اگر  $R$  هم‌ارزی باشد، آن‌گاه  $S$  نیز لزوماً هم‌ارزی است.

(۱) نادرست، نادرست

(۲) درست، نادرست

(۳) نادرست، درست

(۴) درست، درست

۵۰- فرض کنید طول کوتاه‌ترین دور در گراف ساده  $G$  برابر ۵ باشد. همچنین فرض کنید درجه تمام رأس‌های  $G$  برابر  $k$  است. کدام مورد زیر همواره درست است؟

(۱) این گراف حداکثر  $k^3$  رأس دارد.

(۲) این گراف حداقل  $k^2$  رأس دارد.

(۳) این گراف حداقل  $k^3$  یال دارد.

(۴) این گراف دو بخشی است.

دروس تخصصی (نظریه زبان‌ها و ماشین‌ها، سیگنال‌ها و سیستم‌ها):

۵۱- چه تعداد از گزاره‌های زیر درست است؟

- هر زبان تشخیص‌ناپذیر تورینگ، تصمیم‌ناپذیر است.
- مجموعه همه زبان‌های نامنظم روی یک الفبا، یک مجموعه شمارای نامتناهی است.
- مجموعه همه ماشین‌های تورینگ روی یک الفبا، یک مجموعه شمارای نامتناهی است.
- هر زبان نامتناهی تشخیص‌پذیر تورینگ، یک زیرمجموعه نامتناهی تصمیم‌پذیر دارد.

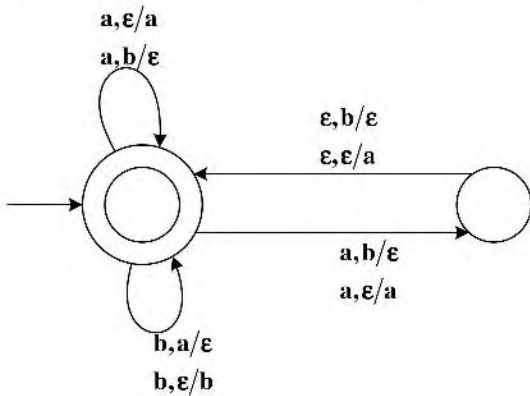
(۱) ۴

(۲) ۳

(۳) ۲

(۴) ۱

۵۲- زبان پذیرفته شده توسط پذیرنده پشته‌ای PDA روبه‌رو، کدام گزینه است؟  $(N_a(w))$  تعداد حرف  $a$  در رشته  $w$  را مشخص می‌کند.



$$L = \{w \in \{a, b\}^* \mid N_b(w) \leq N_a(w) \leq 2N_b(w)\} \quad (۱)$$

$$L = \{w \in \{a, b\}^* \mid N_a(w) \leq N_b(w) \leq 2N_a(w)\} \quad (۲)$$

$$L = \{w \in \{a, b\}^* \mid N_b(w) \leq N_a(w) \leq 2N_b(w)\} \quad (۳)$$

$$L = \{w \in \{a, b\}^* \mid N_a(w) \leq N_b(w) \leq 2N_a(w)\} \quad (۴)$$

۵۳- زبان  $L = \{a^{2^n} \mid n \geq 0\}$  را در نظر بگیرید.

برای تولید زبان بالا گرامر زیر پیشنهاد شده است. (S متغیر شروع و a تنها حرف الفبا است).

- G :  $S \rightarrow [Ra] \mid a$   
 $Ra \rightarrow aaR$   
 $aL \rightarrow La$   
 $aH \rightarrow ?a$   
 $R] \rightarrow L] \mid H$   
 $[L \rightarrow [R$   
 $[? \rightarrow \epsilon$

کدام گزینه در خصوص نوع گرامر بالا و عبارتی که بایستی به جای ؟ قرار گیرد، درست است؟

- (۱) نوع صفر (بدون محدودیت) - R  
 (۲) نوع یک (حساس به متن) - [R  
 (۳) نوع صفر (بدون محدودیت) - H  
 (۴) نوع یک (حساس به متن) - aH

۵۴- فرض کنید  $L_1$  و  $L_2$  زبان‌های مستقل از متن (context-free) و R زبانی منظم (regular) باشند. کدام گزینه، لزوماً زبانی مستقل از متن نخواهد بود؟

- (۱)  $L_1 \cup L_2$   
 (۲)  $R - L_2$   
 (۳)  $L_1 - R$   
 (۴)  $L_1 \setminus L_2$

۵۵- گرامر روبه‌رو کدام یک از زبان‌های زیر را توصیف می‌کند؟

- $S \rightarrow aSd \mid A \mid B$   
 $A \rightarrow aAc \mid C$   
 $B \rightarrow bBd \mid C$   
 $C \rightarrow bCc \mid \epsilon$

$$L = \{a^m b^n c^p d^q \mid m+p = n+q\} \quad (۲) \qquad L = \{a^m b^n c^p d^q \mid m+n = p+q\} \quad (۱)$$

$$L = \{a^m b^n c^p d^q \mid m=q \text{ and } n=p\} \quad (۴) \qquad L = \{a^m b^n c^p d^q \mid m+n+p=q\} \quad (۳)$$

۵۶-  $x(t)$  ورودی و  $y(t)$  خروجی یک سیستم توسط معادله دیفرانسیل زیر توصیف می‌شود، در مورد این سیستم کدام عبارت درست است؟

$$y(t) + \frac{dy(t)}{dt} = x(t) \frac{dx(t)}{dt}$$

- (۱) سیستم غیرخطی و وارون‌پذیر  
 (۲) سیستم خطی و وارون‌ناپذیر  
 (۳) سیستم خطی و وارون‌پذیر  
 (۴) سیستم غیرخطی و وارون‌ناپذیر



۵۷- ورودی سیستم علی LTI و  $y(t)$  خروجی سیستم مطابق معادله دیفرانسیل زیر مرتبط هستند.

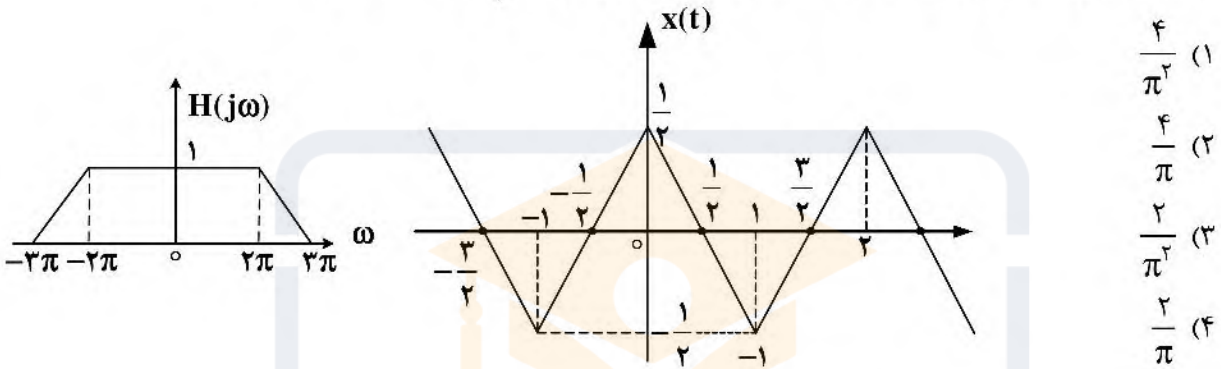
$$\frac{dy(t)}{dt} + y(t) = \frac{dx(t)}{dt}$$

اگر ورودی سیستم  $x(t) = e^{-t}u(t)$  باشد، خروجی  $y(t)$  کدام است؟

- (۱)  $-e^{-t}u(t) - te^{-t}u(t)$   
 (۲)  $e^{-t}u(t) - te^{-t}u(t)$   
 (۳)  $-e^{-t}u(t) + te^{-t}u(t)$   
 (۴)  $e^{-t}u(t) + te^{-t}u(t)$

۵۸- سیگنال پریوریک  $x(t)$  مطابق شکل زیر است. اگر این سیگنال از سیستم LTI با پاسخ فرکانس  $H(j\omega)$  داده شده

در شکل عبور کند و خروجی را با  $y(t)$  نمایش دهیم، در این صورت  $y(0) + y(\frac{1}{\pi})$  کدام است؟

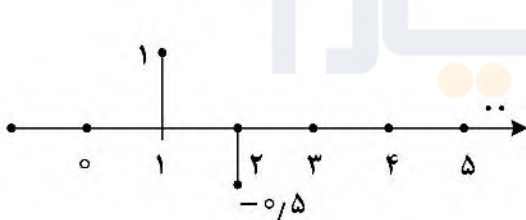


- (۱)  $\frac{4}{\pi^2}$   
 (۲)  $\frac{4}{\pi}$   
 (۳)  $\frac{2}{\pi^2}$   
 (۴)  $\frac{2}{\pi}$

۵۹- تبدیل فوریه پاسخ ضربه یک سیستم گسسته LTI به صورت زیر است:

$$H(e^{j\omega}) = \frac{4}{5 - 4 \cos(\omega)}$$

اگر ورودی این سیستم  $x(n)$  به صورت شکل زیر باشد و خروجی آن  $y(n)$  باشد، مقدار  $\sum_{k=0}^{+\infty} y(k)$  کدام است؟



- (۱)  $\frac{1}{2}$   
 (۲) ۱  
 (۳)  $\frac{3}{2}$   
 (۴) ۲

۶۰- تبدیل Z پاسخ ضربه یک سیستم علی به صورت  $H(z) = \frac{1}{1 - \frac{1}{2}z^{-1}}$  است. اگر ورودی این سیستم

$x(n) = nu(n)$  باشد و خروجی آن را با  $y(n)$  نمایش دهیم، در این صورت  $\lim_{n \rightarrow \infty} \frac{y(n)}{n}$  کدام است؟

- (۱) ۴  
 (۲) ۲  
 (۳) ۱  
 (۴)  $\frac{1}{2}$

دروس تخصصی ۲ (ساختمان داده‌ها، طراحی الگوریتم و هوش مصنوعی):

۶۱- گراف جهت‌دار و وزن‌دار  $G = (E, V)$  با  $n$  رأس و  $O(n)$  یال و زیرمجموعه  $S \subseteq V$  از رأس‌های گراف با اندازه حداقل  $\frac{n}{4}$  داده شده است. فرض کنید وزن تمام یال‌های گراف مثبت است. به ازای هر رأس  $u$  از گراف، فاصله رأس  $u$  از مجموعه  $S$  که آن را با  $d(u, S)$  نمایش می‌دهیم عبارت است از:

$$d(u, S) = \min_{v \in S} \delta(u, v)$$

که در آن  $\delta(u, v)$  برابر با طول کوتاه‌ترین مسیر جهت‌دار از  $u$  به  $v$  در گراف  $G$  است. در چه مرتبه زمانی می‌توان مقادیر  $d(u, S)$  را به ازای تمام رأس‌های  $u$  از گراف محاسبه کرد؟ دقت کنید که خروجی شامل  $n$  مقدار  $d(u, S)$  به ازای تمام رأس‌های  $u$  از گراف است. (بهترین گزینه را انتخاب کنید.)

- (۱)  $O(n^2)$  (۲)  $O(n^2)$  (۳)  $O(n \log^2 n)$  (۴)  $O(n \log n)$

۶۲- فرض کنید گراف  $G$  یک گراف وزن‌دار و مسطح با  $n$  رأس است. درخت پوشای کمینه  $G$  را در چه زمانی می‌توان محاسبه کرد؟ توجه کنید لزومی ندارد از الگوریتم‌های معروف برای محاسبه درخت پوشای کمینه استفاده شود. (بهترین گزینه را انتخاب کنید.)

- (۱)  $\Theta(n)$  (۲)  $\Theta(n \log n)$   
(۳)  $\Theta(n \log \log n)$  (۴)  $\Theta(n^2)$

۶۳- آرایه  $A$  شامل  $n$  عدد داده شده است. هدف پیدا کردن تعداد جفت اندیس‌های  $i$  و  $j$  است، به گونه‌ای که  $A[i] \times A[j] > i \times j$ . این کار در چه زمانی قابل انجام است؟ (بهترین گزینه را انتخاب کنید.)

- (۱)  $O(n^2 \log n)$  (۲)  $O(n^2)$   
(۳)  $O(n \log n)$  (۴)  $O(n \log^2 n)$

۶۴- اعداد یک تا ۱۲۷ در یک هرم بیشینه که به صورت یک درخت دودویی کامل با ارتفاع ۶ پیاده‌سازی شده، قرار گرفته‌اند. حداکثر تعداد برگ با مقدار بیشتر از ۱۰۰ در این درخت چقدر می‌تواند باشد؟

- (۱) ۲۰ (۲) ۱۲  
(۳) ۱۱ (۴) ۲

۶۵- فرض کنید سه آرایه  $A$  و  $B$  و  $C$  هر کدام شامل  $n$  عدد، داده شده است. عناصر داخل آرایه‌ها متمایز هستند. آرایه  $A$  و  $C$  به صورت صعودی و آرایه  $B$  به صورت نزولی مرتب است. اگر بخواهیم آرایه  $D$  را بسازیم که شامل عناصر  $(A \cup B) \cap C$  باشد و به صورت صعودی مرتب شده باشد و عضو تکراری نیز نداشته باشد، بهترین پیچیدگی زمانی ممکن برای این کار کدام مورد است؟ (توجه: ممکن است عناصری، در دو یا سه آرایه باشند.)

- (۱)  $O(n^2)$  (۲)  $O(n \log n)$   
(۳)  $O(\log n)$  (۴)  $O(n)$

۶۶- در کدام مورد، توابع به ترتیب صعودی (و نه اکیداً صعودی) بر مبنای رشد تابع از سمت چپ به راست، مرتب شده‌اند؟

- (۱)  $\log n, \log^2 n, \log n^2, n \log^2 n, \log n!, \log n^n$   
(۲)  $\log n, \log n^2, \log^2 n, n \log^2 n, \log n^n, \log n!$   
(۳)  $\log n, \log^2 n, \log n^2, \log n!, \log n^n, n \log^2 n$   
(۴)  $\log n, \log n^2, \log^2 n, \log n^n, \log n!, n \log^2 n$



۶۷- فرض کنید یک درخت دودویی جستجو بر روی  $n$  عدد حقیقی متمایز با ارتفاع  $O(\log n)$  در اختیار داریم. چه تعداد از پرسمان‌های زیر را بدون پیش‌پردازش و اطلاعات اضافی می‌توان در  $O(\log n)$  پاسخ داد؟ (در هر گره صرفاً یک کلید و دو اشاره‌گر به فرزندان نگه‌داشته شده است).

• محاسبه کوچکترین عدد

• محاسبه میانه

• تعیین آنکه آیا عدد داده شده  $x$  در درخت وجود دارد.

• محاسبه مرتبه عدد  $x$  داده شده در بین  $n$  عدد ذخیره شده در درخت

(۱) صفر (۲) ۳ (۳) ۲ (۴) ۱

۶۸- مسئله  $k$ -مجموع بدین شکل تعریف می‌شود: مجموعه  $A$  از  $n$  عدد حقیقی و عدد  $k$  داده شده است. آیا  $k$  عضو از مجموعه  $A$  وجود دارند که جمع آنها صفر شود. چه تعداد از گزاره‌های زیر درست است؟

• مسئله ۱- مجموع در زمان  $O(1)$  قابل حل است.

• مسئله ۲- مجموع در زمان  $O(n)$  قابل حل است.

• مسئله ۳- مجموع در زمان  $O(n^2)$  قابل حل است.

(۱) صفر (۲) ۳ (۳) ۲ (۴) ۱

۶۹- مسئله جستجوی عنصر  $x$  در آرایه  $A$  شامل  $n$  عنصر را در نظر بگیرید. فرض کنید اطلاع داریم که توزیع ورودی به این صورت است که احتمال حضور عنصر  $x$  در نیمه دوم آرایه سه برابر احتمال حضور آن در نیمه اول است. همچنین برای هر نیمه، احتمال حضور در هر خانه یکسان است. تعداد مقایسه‌های الگوریتم جستجوی خطی برای یافتن عنصر  $x$  در آرایه به طور متوسط چقدر است؟ (فرض کنید طول آرایه  $A$  زوج است و عدد  $x$  در آرایه وجود دارد. ضمناً جستجوی خطی از ابتدای آرایه شروع می‌شود).

(۱)  $n$  (۲)  $\frac{5}{8}n$  (۳)  $\frac{3}{4}n$  (۴)  $\frac{n}{2}$

۷۰- آرایه  $A$  شامل  $n$  عنصر داده شده است. عنصری از آرایه که حداقل  $\frac{n}{3}$  بار تکرار شده باشد را یک عضو پرتکرار می‌نامیم. می‌خواهیم در آرایه  $A$  یک عضو پرتکرار را در صورت وجود پیدا کنیم. برای این کار از یک روش تقسیم و غلبه به این صورت استفاده می‌کنیم: ابتدا آرایه را به سه قسمت با اندازه برابر تقسیم می‌کنیم و در هر کدام از قسمت‌ها به طور بازگشتی در صورت وجود یک عضو پرتکرار را پیدا می‌کنیم. سپس میزان تکرار هر کدام از این سه عضو پرتکرار

را در آرایه اصلی جستجو می‌کنیم و در صورتی که میزان تکرار هر عضو حداقل  $\frac{n}{3}$  بود آن عضو را به عنوان عضو

پرتکرار برمی‌گردانیم. کدام گزاره در خصوص این الگوریتم درست است؟ (فرض کنید  $n$  توانی از ۳ است).

(۱) زمان اجرا  $O(n \log n)$  است، اما الگوریتم لزوماً درست کار نمی‌کند.

(۲) زمان اجرا  $O(n \log n)$  است و الگوریتم درست کار می‌کند.

(۳) زمان اجرا  $O(n)$  است، اما الگوریتم لزوماً درست کار نمی‌کند.

(۴) زمان اجرا  $O(n)$  است و الگوریتم درست کار می‌کند.

۷۱- آرایه نامتناهی  $A$  را در نظر بگیرید. فرض کنید در  $n$  خانه اول این آرایه  $n$  عدد صحیح متناهی به صورت مرتب شده (صعودی) قرار گرفته‌اند و بقیه خانه‌های آرایه با  $\infty$  پر شده است. به ازای عدد  $x$  داده شده می‌خواهیم بررسی کنیم آیا عدد  $x$  در آرایه وجود دارد یا خیر. با چه مرتبه زمانی می‌توان به این پرسش پاسخ داد؟ (با فرض آن که مقدار  $n$  را از قبل نمی‌دانیم).

(۱)  $O(n)$       (۲)  $O(\log^2 n)$       (۳)  $O(\log n)$       (۴)  $O(1)$

۷۲- فرض کنید  $G$  یک گراف بدون جهت و بدون وزن با  $n$  رأس و  $m$  یال باشد. مسئله زیر را در نظر بگیرید:

به ازای دو رأس  $u$  و  $v$  داده شده و پارامتر ورودی  $k$ ، آیا تعداد کوتاه‌ترین مسیرها بین  $u$  و  $v$  حداقل  $k$  است؟ کدام گزینه در مورد این مسئله درست است؟

(۱) می‌توان الگوریتمی با زمان اجرای چندجمله‌ای برای این مسئله ارائه داد، اما زمان اجرای این الگوریتم نمی‌تواند بر حسب  $n$  و  $m$  خطی باشد.

(۲) می‌توان الگوریتمی با زمان اجرای  $O(m+n)$  برای این مسئله ارائه داد.

(۳) این یک مسئله ان‌پی - تمام است.

(۴) این یک مسئله ان‌پی - سخت است.

۷۳- فرض کنید در یک مسئله جستجو که توسط الگوریتم  $A^*$  با جستجوی درختی حل می‌شود، دو تابع مکاشفه متفاوت قابل قبول  $h_1$  و  $h_2$  قابل تصور باشند. اگر از  $h_1$  یا  $h_2$  استفاده شود، به ترتیب  $n_1$  و  $n_2$  گره قبل از توقف الگوریتم توسعه داده می‌شوند. در این خصوص، کدام مورد درست است؟

(۱) اگر  $n_1 \geq n_2$ ، آنگاه به ازای همه حالات  $s$ ،  $h_1(s) \geq h_2(s)$

(۲) اگر  $n_1 \geq n_2$ ، آنگاه به ازای همه حالات  $s$ ،  $h_1(s) \leq h_2(s)$

(۳) اگر به ازای همه حالات  $s$ ،  $h_1(s) \leq h_2(s)$  آنگاه  $n_1 \leq n_2$

(۴) اگر به ازای همه حالات  $s$ ،  $h_1(s) \leq h_2(s)$ ، آنگاه  $n_1 \geq n_2$

۷۴- چه تعداد از گزاره‌های زیر، در جستجوی  $K$  پرتو ( $K$ -beam search)، درست است؟

• در نهایت، همه  $K$  جواب نهایی، به بهینه‌های محلی متفاوت همگرا می‌شوند.

• این جستجو معادل با  $K$  جستجوی تپه‌نوردی مستقل از هم است.

• با افزایش  $K$ ، احتمال همگرایی به یک حالت بهینه عمومی کاهش می‌یابد.

(۱) صفر      (۲) ۳

(۳) ۲      (۴) ۱

۷۵- در الگوریتم جستجوی محلی شروع مجدد تصادفی، به صورت متوسط با  $50$  بار جستجو، به پاسخ بهینه عمومی مسئله می‌رسیم. چقدر احتمال دارد با حداکثر دوبار جستجو (یعنی حداکثر یک بار شروع تصادفی مجدد) به بهینه عمومی برسیم؟

(۱)  $0.04$

(۲)  $0.396$

(۳)  $0.02$

(۴)  $0.196$



۷۶- فرض کنید  $S, R, Q, P$  گزاره‌های منطقی هستند که احتمال درستی یا نادرستی آنها یکسان است. همچنین می‌دانیم که گزاره شرطی  $\sim Q \rightarrow P$  نادرست است. احتمال درستی گزاره شرطی مرکب  $(P \rightarrow S) \wedge (\sim Q \rightarrow R)$  چقدر است؟

- (۱) ۰/۱۲۵
- (۲) ۰/۱۶
- (۳) ۰/۲۵
- (۴) ۰/۵

۷۷- در نمونه‌برداری Gibbs از متغیرهای تصادفی دودویی در مدل شبکه بیزی زیر، متغیرهای  $A=0, B=1$  و  $D=0$  تا اینجای کار نمونه‌برداری شده‌اند. در لحظه بعد که متغیر  $C$  قرار است نمونه‌برداری شود، به چه احتمالی مقدار آن صفر خواهد شد؟

$A \rightarrow B \rightarrow C \rightarrow D$

$$P(A=0) = 0/5 \quad P(C=0|B=1) = 0/1 \quad P(D=0|C=1) = 0/1$$

$$P(B=0|A=0) = 0/8 \quad P(C=0|B=0) = 0/8 \quad P(D=0|C=0) = 0/8$$

$$P(B=0|A=1) = 0/1$$

- (۱)  $\frac{9}{17}$
- (۲)  $\frac{8}{9}$
- (۳)  $\frac{8}{17}$
- (۴)  $\frac{1}{9}$

۷۸- به منظور دسته‌بندی متون به دو کلاس، از یک مدل بیز ساده (Naïve Bayes) استفاده کرده‌ایم. از روش پیشینه درست‌نمایی جهت به‌دست آوردن جداول احتمال شرطی ویژگی‌ها استفاده می‌کنیم. در زمان ارزیابی با متنی روبه‌رو شده‌ایم که واژگانی دارد که در داده‌های آموزش کلاس اول دیده نشده است، ولی همه واژگان آن در داده‌های آموزشی کلاس دوم دیده شده است. دسته‌بند چه خواهد کرد؟

- (۱) متن دیده شده را الزاماً به کلاس دوم دسته‌بندی خواهد کرد.
- (۲) متن دیده شده را الزاماً به کلاس اول دسته‌بندی خواهد کرد.
- (۳) متن دیده شده را با احتمال بیشتر از ۰/۵ به کلاس دوم دسته‌بندی می‌کند.
- (۴) متن دیده شده را با احتمال بیشتر از ۰/۵ به کلاس اول دسته‌بندی می‌کند.

۷۹- فرض کنید چهار متغیر تصادفی دودویی  $A, B, C$  و  $D$  داریم که با شبکه بیزی زیر مدل شده‌اند. مقدار  $P(A=1|B=0, D=1)$  چقدر است؟

$A \rightarrow B$   
 $\downarrow \quad \downarrow$   
 $C \rightarrow D$

$$P(A=0) = 0/5 \quad P(B=0|A=0) = 0/8 \quad P(D=0|B=1, C=0) = 0/5$$

$$P(C=0|A=0) = 0/1 \quad P(B=0|A=1) = 0/2 \quad P(D=0|B=0, C=1) = 0/5$$

$$P(C=0|A=1) = 0/8 \quad P(D=0|B=0, C=0) = 1 \quad P(D=0|B=1, C=1) = 0$$

- (۱)  $\frac{18}{100}$
- (۲)  $\frac{1}{100}$
- (۳)  $\frac{1}{19}$
- (۴) صفر

۸۰- مسئله ارضای قیود زیر را در نظر بگیرید. فرض کنید  $A, B, C, D$  و  $E$  متغیرهای مسئله باشند. دامنه هر متغیر عددی صحیح بین ۱ تا ۶ است. فرض کنید پاسخی که تا الان ساخته شده است، به صورت  $\{A=1, B=2\}$  باشد. در گام بعد، کدام متغیر بررسی می‌شود؟

$A + B \geq 3$

$B - C \leq 0$

$B + D \geq 4$

$D - E - C \leq 0$

$E + C \geq 2$

E (۲)

C (۱)

(۴) هیچ کدام ارجحیتی بر دیگری ندارد.

D (۳)

دروس تخصصی ۳ (مدار منطقی، معماری کامپیوتر و الکترونیک دیجیتال):

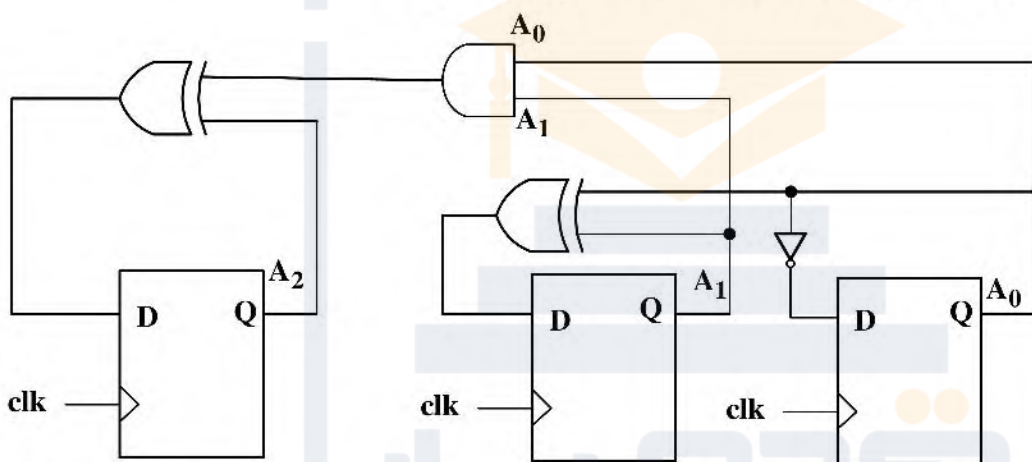
۸۱- با فرض  $A = A_2A_1A_0$  مدار زیر بعد از لبه فعال کلاک چه عملی را انجام می‌دهد؟

$A - 3$  (۱)

$A + 3$  (۲)

$A - 1$  (۳)

$A + 1$  (۴)



۸۲- کد وریلاگ زیر، توصیف‌کننده یک توالی شمارش با چه تعداد سیکل ساعت تکرار می‌باشد؟ (علامت  $\wedge$  نشان‌دهنده XOR است.)

```

module func (R, L, clk, Q);
    input  |0:2|R;
    input  L, clk;
    output reg |0:2|Q;
    always @(posedge clk)
        if (L)
            Q <- R;
        else
            Q <- {Q[2], Q[0] ^ Q[2], Q[1]};
endmodule
    
```

۷ (۲)

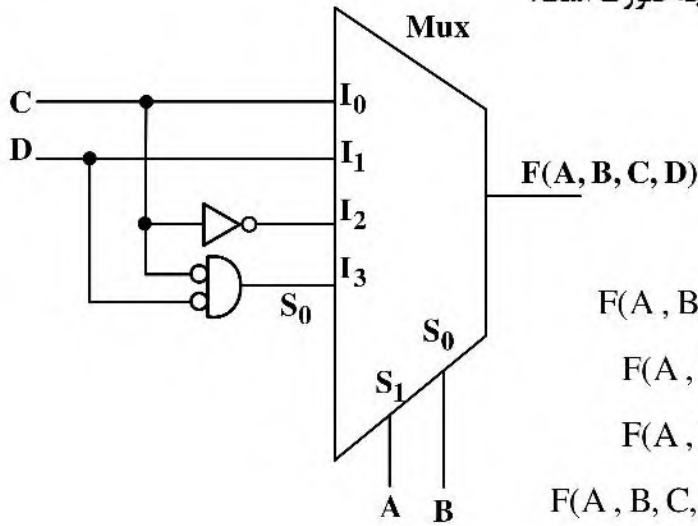
۸ (۱)

۵ (۴)

۶ (۳)



۸۳- تابع خروجی مدار زیر براساس جمع مینترم‌ها به چه صورت است؟



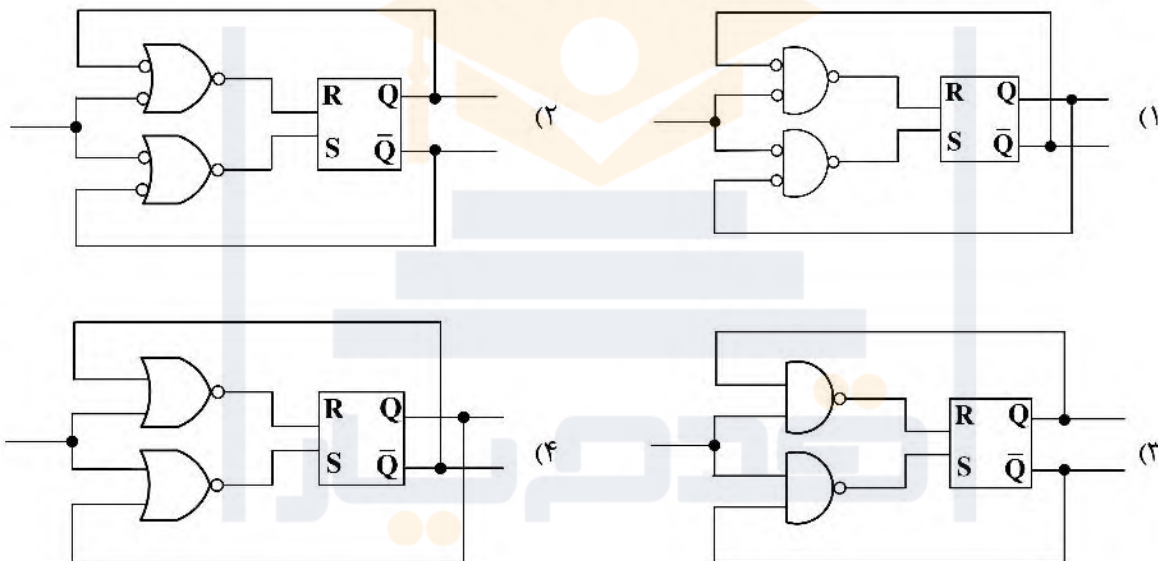
$$F(A, B, C, D) = \sum m(2, 3, 5, 7, 10, 11, 12) \quad (1)$$

$$F(A, B, C, D) = \sum m(2, 3, 5, 7, 8, 9, 12) \quad (2)$$

$$F(A, B, C, D) = \sum m(2, 3, 4, 6, 8, 9, 15) \quad (3)$$

$$F(A, B, C, D) = \sum m(0, 1, 5, 7, 10, 11, 14, 15) \quad (4)$$

۸۴- کدام یک از مدارهای زیر یک SR-Latch را به T-Latch تبدیل می‌کند؟



۸۵- کدام مورد، ساده شده تابع زیر است؟

$$F(a, b, c, d) = (a.b.(c+b.d) + a.b).(c+d)$$

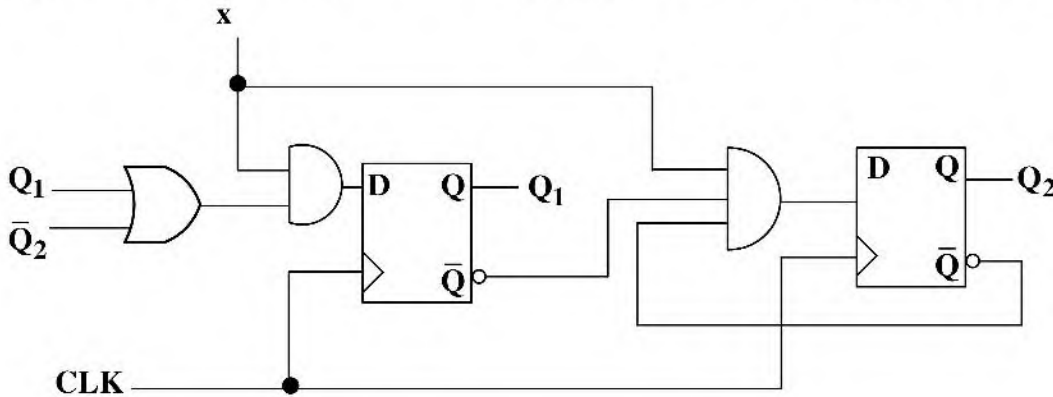
$$\bar{c} \bar{d} \quad (1)$$

$$cd \quad (2)$$

$$(\bar{a} + \bar{b})cd \quad (3)$$

$$a b \bar{c} \bar{d} + \bar{a} \bar{b} \bar{c} \bar{d} \quad (4)$$

۸۶- اگر مقدار اولیه  $Q_1 Q_2$  در مدار زیر "00" باشد، با اعمال ورودی  $x = "1110"$  (از چپ)، چه مقادیری خواهد داشت؟



۲)  $00 \rightarrow 11 \rightarrow 00 \rightarrow 11 \rightarrow 10$

۱)  $00 \rightarrow 11 \rightarrow 10 \rightarrow 00 \rightarrow 11$

۴)  $00 \rightarrow 00 \rightarrow 11 \rightarrow 10 \rightarrow 00$

۳)  $00 \rightarrow 11 \rightarrow 10 \rightarrow 10 \rightarrow 00$

۸۷- در پیاده‌سازی تابع  $f(a,b,c,d) = \sum m(1, 5, 6, 7, 8, 9, 11) + d(10, 12, 14)$  با حداقل تعداد گیت، برای کدام تغییر ورودی پتانسیل بروز Hazard وجود دارد؟

۲)  $abcd = 0111 \leftrightarrow abcd = 0110$

۱)  $abcd = 0101 \leftrightarrow abcd = 0001$

۴)  $abcd = 0001 \leftrightarrow abcd = 1001$

۳)  $abcd = 1110 \leftrightarrow abcd = 1010$

۸۸- در شکل زیر، اگر قسمت Opcode دستورالعمل به شکل 

$x_1$	$x_0$	$y_1$	$y_0$
-------	-------	-------	-------

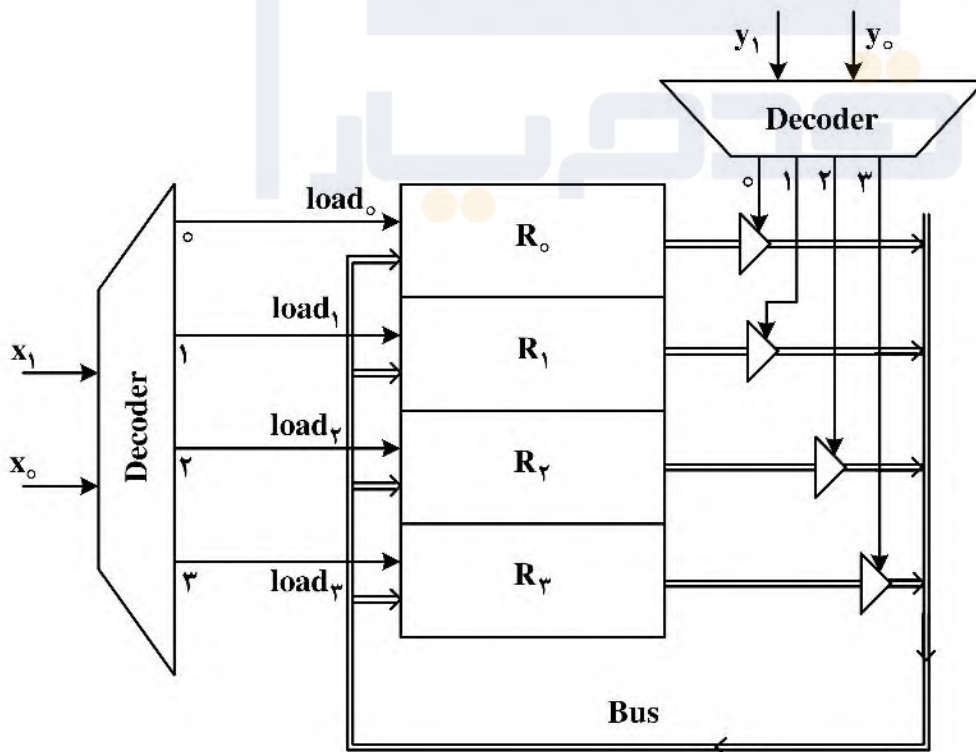
 باشد، دستور  $mov R_3, R_1$  جهت انتقال از راست به چپ دارای چه Opcode به Hex است؟

۱) D

۲) E

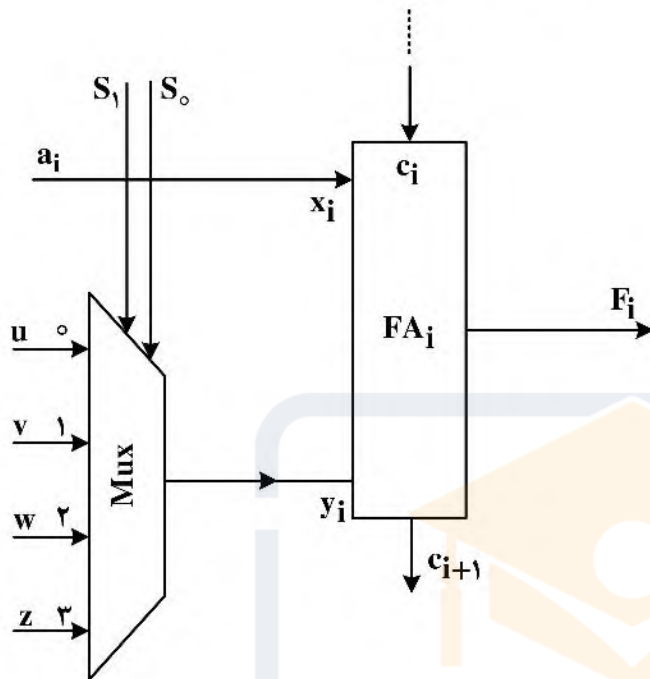
۳) ۷

۴) ۱





۸۹-  $FA_i$  یک تمام‌افزا (Full adder) است که در طبقه  $i$  ام یک واحد حسابی  $n$  بیتی (Arithmetic Unit) قرار دارد که خروجی واحد حسابی  $F$  و ورودی‌هایش  $C_o$ ،  $A$  ( $n$  بیت) و  $B$  ( $n$  بیت) است. اگر جدول کارکرد این واحد حسابی جدول زیر باشد، سیگنال‌های  $uvwz$  برابر کدام مقادیر یا سیگنال‌ها باید باشند؟



$S_1$	$S_0$	$C_o$	$F$
0	0	0	$A$
0	0	1	$A+1$
0	1	0	$A+B$
0	1	1	$A+B+1$
1	0	0	$A-1$
1	0	1	$A$
1	1	0	$A-B-1$
1	1	1	$A-B$

$z$	$w$	$v$	$u$	
$b'_i$	1	$b_i$	0	(۱)
0	$b'_i$	1	$b_i$	(۲)
$b_i$	1	$b'_i$	0	(۳)
1	$b_i$	0	$b'_i$	(۴)

۹۰- در یک پردازنده ۱۶ بیتی که محاسبات را به صورت مکمل دو انجام می‌دهد، سه بیت ثبات وضعیت به نام‌های  $S$  (Sign)،  $C$  (Carry out) و  $O$  (Overflow) وجود دارند. بعد از انجام عمل جمع دو عدد  $F3E2$  و  $EA29$  (اعداد در مبنای ۱۶ نمایش داده شده‌اند)، مقدار بیت‌های ثبات وضعیت کدام است؟

- (۱)  $O = 1, C = 1, S = 0$   
 (۲)  $O = 0, C = 0, S = 1$   
 (۳)  $O = 0, C = 1, S = 1$   
 (۴)  $O = 1, C = 1, S = 1$

۹۱- فرکانس پردازنده  $A$  برابر  $1\text{GHz}$ ، تعداد متوسط کلاک (CPI) به ازای هر دستورالعمل برابر ۱ و تعداد دستورات در هر حالت برابر  $n$  است. اگر بخواهیم فرکانس را برای بهبود سرعت اجرای برنامه به  $1.5\text{GHz}$  برسانیم، CPI جدید چقدر باید باشد که  $20\%$  بهبود کارایی اجرا را به دنبال داشته باشد؟

- (۱)  $1/25$   
 (۲)  $1/2$   
 (۳)  $0.8$   
 (۴)  $0.75$

۹۲- حافظه نهان مجموعه انجمنی با حجم ۱ مگابایت با اندازه بلوک ۸ بیتی مفروض است. اگر آدرس‌های درخواستی CPU، ۲۴ بیتی باشد، تعداد راه‌های (ways) هر مجموعه این حافظه چقدر باشد تا اندازه میدان برچسب در قالب آدرس ۱۰ بیتی شود؟

- (۱) ۱۲۸  
 (۲) ۶۴  
 (۳) ۸  
 (۴) ۶

۹۳- فرض کنید که در یک پردازنده برای اجرای پایپ‌لاین دستورات از پنج مرحله واکنشی دستور (IF)، به دست آوردن عملوندها (ID)، اجرا در ALU (EX)، مراجعه به حافظه (DM) و نوشتن نتایج در ثبات مقصد (WB) استفاده می‌شود و هیچ‌گونه امکان رفع مخاطرات (Hazard) وابستگی به صورت نرم‌افزاری و یا روانه‌سازی (Forwarding) وجود نداشته باشد و این مخاطرات فقط با اضافه کردن تأخیر (Stall) در پایپ‌لاین رفع می‌شود. برای اجرای دستورات زیر به چند پالس ساعت نیاز است؟

LD X1, 20 (X10)

LD X2, 30 (X20)

ADD X3, X2, X1

۱۱ (۲)

۱۲ (۱)

۹ (۴)

۱۰ (۳)

۹۴- یک سیستم نمایش اعداد ممیز شناور را با مشخصات ۱ بیت برای علامت، ۵ بیت برای توان و ۱۰ بیت برای مانتیس در نظر بگیرید. برای نمایش مانتیس از روش Explicit One و برای نمایش توان از روش Biased-۱۶ استفاده می‌کنیم. اعداد به شکل هنجار شده (Normalized) با یک رقم صحیح و بقیه اعشاری دودویی نمایش داده می‌شوند. بزرگترین عدد مثبت قابل نمایش در این سیستم کدام است؟

۲<sup>۳۲</sup> - ۲<sup>۲۳</sup> (۲)

۲<sup>۳۳</sup> - ۲<sup>۲۲</sup> (۱)

۲<sup>۱۶</sup> - ۲<sup>۶</sup> (۴)

۲<sup>۱۷</sup> - ۲<sup>۵</sup> (۳)

۹۵- طراحی یک مدار CMOS ایستا برای یک میکروکنترلر قرار است با فرکانس ۵۰۰ مگاهرتز کار کند. خروجی یک وارونگر نوعی در این طراحی با نرخ ۰/۱ فرکانس کلاک تغییر می‌کند و طبق مشخصات، مصرف توان نباید بیش از ۱۰ میکرووات باشد. بیشینه مقدار خازن بار وارونگر چند فمتوفاراد باشد تا این محدودیت برآورده شود؟ (VDD = 2 V) (از مصرف توان ایستا صرف‌نظر کنید).

۱۰ (۱)

۵۰ (۲)

۱۰۰ (۳)

۵۰۰ (۴)

۹۶- تابع F با جدول درستی زیر را در نظر بگیرید. برای پیاده‌سازی این تابع با استفاده از مدار CMOS ایستا حداقل به چند ترانزیستور نیاز است؟ (فرض کنید فقط خود ورودی‌ها در دسترس هستند).

X	Y	Z	F
۰	۰	۰	۱
۰	۰	۱	۱
۰	۱	۰	۰
۰	۱	۱	۰
۱	۰	۰	۱
۱	۰	۱	۱
۱	۱	۰	۰
۱	۱	۱	۱

۱۲ (۱)

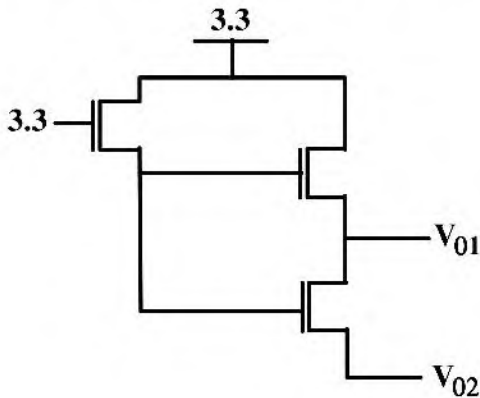
۱۰ (۲)

۸ (۳)

۶ (۴)

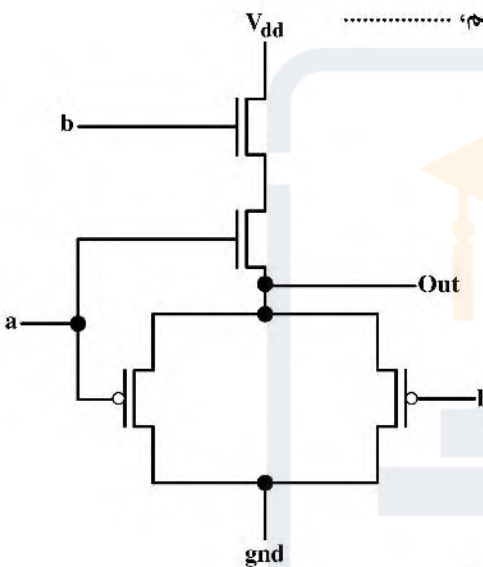


۹۷- در مدار زیر، ولتاژ نقاط  $V_{o1}$  و  $V_{o2}$  به ترتیب، از راست به چپ، چقدر است؟ (ولتاژ آستانه ترانزیستورها  $0.5$  ولت است.)



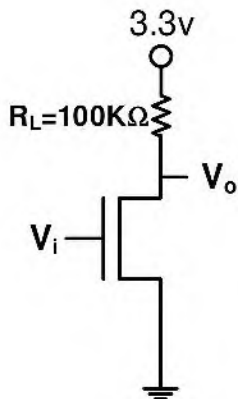
- (۱)  $2/3, 2/3$
- (۲)  $2/8, 3/3$
- (۳)  $2/8, 2/8$
- (۴)  $2/3, 2/8$

۹۸- در صورتی که برای پیاده‌سازی گیت AND، از مدار مقابل استفاده کنیم، .....



- (۱) این مدار منطق AND را پیاده‌سازی نمی‌کند.
- (۲) مدار کار می‌کند، ولی تأخیر آن بیشتر از مدار AND رایج CMOS است.
- (۳) مدار کار می‌کند، ولی ولتاژهای خروجی برای منطق صفر و یک کامل نیستند.
- (۴) مدار کار می‌کند، ولی توان مصرفی آن بیشتر از مدار AND رایج CMOS است.

۹۹- در مدار شکل زیر، مقدار  $\frac{W}{L}$  ترانزیستور NMOS برابر کدام مورد باشد تا حاشیه نویز حالت LOW برابر  $0.5$  ولت باشد؟ (فرض کنید مقدار  $V_{OL} = 0.5V$ ،  $V_{th} = 0.5V$  و مقدار  $K' = 10 \frac{\mu A}{V^2}$  است.)



- (۱)  $1/4$
- (۲)  $4$
- (۳)  $1/2$
- (۴)  $2$

۱۰۰- کدام مورد برای دروازه‌های منطقی در فناوری CMOS ایستا، درست است؟

- ۱) پدیده مدولاسیون طول کانال باعث کاهش جریان درین - سورس در زمان روشن بودن ترانزیستورها می‌شود.
- ۲) توان مصرفی پویا در این فناوری با خازن بار نسبت مستقیم و با فرکانس کلاک نسبت عکس دارد.
- ۳) عامل اصلی محدودکننده بار خروجی (fanout) تاخیر مطلوب طراح است.
- ۴) افزایش ولتاژ تغذیه (Vdd) باعث افزایش تأخیر دروازه می‌شود.

دروس تخصصی ۴ (سیستم‌های عامل، شبکه‌های کامپیوتری و پایگاه داده‌ها):

۱۰۱- اگر نرخ انتقال اطلاعات بین حافظه اصلی و حافظه مجازی  $50 \text{ MB/Sec}$ ، اندازه هر فرایند به‌طور متوسط  $10 \text{ MB}$  و سیستم عامل چند برنامه‌گی (Multi program) باشد که بتواند فرایندهای زیادی داخل حافظه بارگذاری کرده و همزمان با DMA اجرا نماید و هر فرایند  $200$  میلی ثانیه به CPU نیاز داشته باشد، نرخ بهره‌وری CPU به کدام مورد نزدیکتر است؟

- ۱)  $100\%$
- ۲)  $75\%$
- ۳)  $50\%$
- ۴)  $25\%$

۱۰۲- اگر سه فرایند متناوب جدول زیر با الگوریتم زمانبندی قبضه‌ای اولویت‌دار زمانبندی شوند و اولویت با فرایندی باشد که نسبت تقسیم «مدت زمان CPU» بر «دوره تناوب» آن کمترین است، بهره‌وری CPU چقدر خواهد بود؟  
(در لحظه صفر هر سه فرایند به ترتیب وارد می‌شوند.)

P1	P2	P3	
۵	۲۰	۱۰	مدت زمان CPU
۲۵	۵۰	۴۰	دوره تناوب

- ۱)  $0.8$
- ۲)  $3(\sqrt{2}-1)$
- ۳)  $0.85$

۴) زمانبندی امکان‌پذیر نیست.

۱۰۳- آسانسور ساختمانی  $20$  طبقه (از همکف الی طبقه ۱۹) با ظرفیت حمل  $1$  نفر مفروض است. فرض کنید در هر طبقه  $1$  نفر زندگی می‌کند و در شبانه‌روز از آسانسور برای رفت و برگشت به دیگر طبقات استفاده می‌کند. الگوریتم حرکت آسانسور خالی برای توقف در طبقه درخواستی، در همان جهتی است که قبلاً حرکت می‌کرده است (مثلاً اگر هنگام حمل مسافر از طبقه  $1$  به سمت  $4$  حرکت کرده است، پس از تخلیه مسافر، آسانسور به سمت طبقات  $5$  الی  $19$  حرکت می‌کند تا اگر کسی در این طبقات درخواست داشت، بایستند. سپس از طبقه  $19$  به سمت همکف حرکت می‌کند و اگر کسی در این طبقات درخواست داشت، می‌ایستند. آسانسور خالی مدام در حالت حرکت و پیمایش طبقات است. در ابتدا خالی بوده و در طبقه همکف (صفر) قرار دارد. در صورتی که این مسئله، مشابه مسئله ناحیه بحرانی مدنظر باشد طوری که مسافران حکم فرایند (پردازه) و آسانسور حکم ناحیه بحرانی را داشته باشد، چند شرط از شروط ناحیه بحرانی (انحصار متقابل، پیشرفت، انتظار محدود) نقض می‌شود؟

- ۱) دقیقاً  $1$  شرط نقض می‌شود.
- ۲) دقیقاً  $3$  شرط نقض می‌شود.
- ۳) دقیقاً  $2$  شرط نقض می‌شود.
- ۴) هیچ شرطی نقض نمی‌شود.



۱۰۴- در سیستم صفحه‌بندی سلسله مراتبی دو سطحی، اگر برای ترجمه شماره صفحه به شماره قاب، مراجعه به جدول صفحه در حافظه اصلی، در صورت شکست در جدول TLB نیاز باشد و تأخیر دستیابی به حافظه اصلی  $150ns$  و نرخ شکست (miss rate) در جدول ترجمه پیش‌رو (TLB) برابر ۲ درصد باشد، متوسط زمان دستیابی به یک داده با آدرس مجازی کدام مورد است؟ (تأخیر دسترسی به TLB ناچیز فرض شود).

(۱) ۱۵۶

(۲) ۶

(۳) ۱۵۰

(۴) ۶۰

۱۰۵- در سیستمی با پنج فرایند و دو منبع مطابق جداول زیر، حداقل  $x + y$  چقدر باشد تا سیستم در حالت امن باشد؟

Available		MAX	R <sub>1</sub>	R <sub>2</sub>	Allocation	R <sub>1</sub>	R <sub>2</sub>
R <sub>1</sub>	R <sub>2</sub>	P <sub>1</sub>	5	2	P <sub>1</sub>	1	2
x	y	P <sub>2</sub>	3	9	P <sub>2</sub>	2	5
		P <sub>3</sub>	4	5	P <sub>3</sub>	2	0
		P <sub>4</sub>	1	4	P <sub>4</sub>	1	1
		P <sub>5</sub>	8	5	P <sub>5</sub>	0	0

(۱) ۷

(۲) ۶

(۳) ۵

(۴) ۴

۱۰۶- در خصوص اجرای دستورالعمل در کامپیوترهای مطابق الگوریتم فون نیومن که داخل یک حلقه بی‌انتهای دستورالعمل‌ها واکنشی شده و اجرا می‌گردد و با توجه به بحث بهره‌وری CPU در هنگام وجود سیستم عامل و برنامه‌های کاربر، کدام مورد درست‌تر است؟

(۱) بهره‌وری CPU تحت هر شرایطی ۱۰۰ درصد است؛ زیرا همواره الگوریتم فون نیومن اجرا می‌شود که شامل اجرای فرایندها یا سیستم عامل است.

(۲) چون طبق الگوریتم فون نیومن CPU مدام درگیر خواهد بود، در مواقعی که برنامه‌ای برای اجرا وجود ندارد و سیستم عامل کاری ندارد، CPU به وضعیت بیکار (Halt) می‌رود.

(۳) بهره‌وری CPU را نباید با اجرای سیستم عامل به صورت همزمان لحاظ کرد، چون سیستم عامل سربار ناچیزی دارد.

(۴) بهره‌وری CPU نباید شامل اجرای سیستم عامل گردد، لذا همیشه بهره‌وری کمتر از ۱۰۰ درصد است.

۱۰۷- در چه صورتی یک فرایند فرزند که Zombie شده است، تبدیل به یک فرایند Orphan (یتیم) می‌شود؟

(۱) در صورتی که فرایند پدر، دستور (terminate) را برای فرایند فرزند اجرا نکرده باشد.

(۲) در صورتی که فرایند پدر برای فرایند فرزند، دستور (wait) را اجرا نکرده باشد.

(۳) چنین حالتی هیچ‌گاه در سیستم عامل رخ نمی‌دهد.

(۴) در صورتی که فرایند فرزند دچار بن‌بست شود.

۱۰۸- کلاینتی با استفاده از DASH (Dynamic Adaptive Streaming over HTTP) فیلمی را از سروری دریافت کرده است. زمان این فیلم ۲ دقیقه بوده و در سه کیفیت در سرور ذخیره شده است. هر ۳۰ ثانیه از فیلم به یک تکه تبدیل شده و آدرس تکه‌ها در فایل MPD (Media Presentation Description) عرضه شده است. جدول زیر اندازه تکه‌ها را بر حسب مگابایت نشان می‌دهد. اگر کلاینت در هنگام تماشای این فیلم، تکه ۳ (MPD2:12Mbyte) را دریافت کرده باشد آنگاه گذرده‌ی شبکه (برحسب مگابایت بر ثانیه) از سرور به کلاینت در هنگام دریافت MPD2:12MByte چگونه بوده است؟

	تکه ۱	تکه ۲	تکه ۳	تکه ۴
MPD1	15MByte	12MByte	18MByte	15MByte
MPD2	9MByte	7.5MByte	<b>12MByte</b>	9MByte
MPD3	6MByte	3MByte	7.5MByte	6MByte

(۱) بزرگتر از ۲/۴ و کوچکتر یا مساوی ۳/۲

(۲) کوچکتر از ۴/۸ و بزرگتر یا مساوی ۳/۲

(۳) بزرگتر از ۲ و کوچکتر یا مساوی ۳/۲

(۴) بزرگتر از ۲ و کوچکتر یا مساوی ۴/۸

۱۰۹- بخشی از کد برنامه کلاینتی به شرح زیر است:

...

```
myport = 4321
```

```
destination = socket(AF_INET, SOCK_DGRAM)
```

```
destination.bind(("", 80))
```

...

برنامه سروری که این کلاینت با آن وصل می‌شود، از چه شماره پورتی برای خود و چه شماره پورتی برای کلاینت استفاده می‌کند؟

(۱) از شماره پورت 4321 برای کلاینت استفاده کرده و سیستم عامل مشخص می‌کند که چه شماره پورتی را برای خود استفاده کند.

(۲) سیستم عامل تصمیم می‌گیرد چه شماره پورتی برای کلاینت استفاده شود و خود از شماره پورت 80 استفاده می‌کند.

(۳) از شماره پورت 80 برای کلاینت و از شماره پورت 4321 برای خود استفاده می‌کند.

(۴) از شماره پورت 4321 برای کلاینت و از شماره پورت 80 برای خود استفاده می‌کند.

۱۱۰- فرض کنید TCP بین یک سوکت سرور و یک سوکت کلاینت ارتباطی را ایجاد کرده و سرور در حال ارسال چندین فایل به کلاینت است. اگر سرور فایل‌ها را پشت سرهم ارسال کند، نرم افزار کلاینت چگونه مرز بین فایل‌های دریافتی را پیدا می‌کند؟

(۱) از توالی شماره‌هایی که TCP در سرور برای بسته‌های هر فایل استفاده می‌کند، کلاینت می‌تواند فایل‌ها را از یکدیگر تمیز دهد.

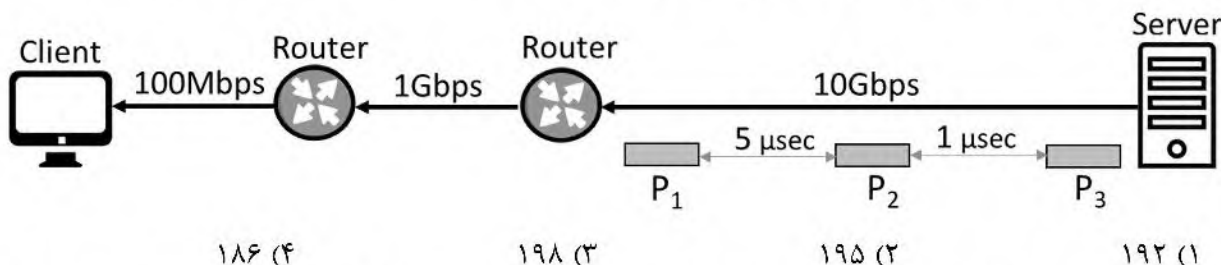
(۲) مرز بین فایل‌ها توسط فلگ RST (reset) در سرآیند TCP مشخص می‌شود و کلاینت مرز بین فایل‌ها را با این فلگ تشخیص می‌دهد.

(۳) در کلاینت، TCP هر فایلی را که بصورت کامل دریافت کرد با استفاده از فلگ PUSH به نرم افزار کلاینت تحویل می‌دهد.

(۴) پروتکل لایه کاربرد در سرور، مرز بین فایل‌ها را برای پروتکل لایه کاربرد در کلاینت مشخص می‌کند.



۱۱۱- مطابق با شکل زیر، کامپیوتر سرور سه بسته برای کامپیوتر کلاینت ارسال می‌نماید. سرور برای ارسال هر بسته یک میکروثانیه وقت صرف می‌کند. سرور بسته ۲ را ۵ میکروثانیه بعد از بسته ۱ ارسال می‌کند و بسته ۳ را ۱ میکروثانیه پس از بسته ۲ ارسال می‌کند. جمع مدت زمانی که بسته ۳ در دو مسیریاب در صف معطل می‌شود چند میکروثانیه است؟



۱۱۲- می‌خواهیم از بلوک آدرس  $a.b.c.d / 24$  برای استفاده در ۳ زیرشبکه (subnet) استفاده کنیم. زیرشبکه اول به ۹۰ آدرس، زیرشبکه دوم به ۶۰ آدرس و زیرشبکه سوم به ۱۲ آدرس نیاز دارند. پس از تخصیص آدرس‌های مورد نیاز به این سه زیرشبکه، چه تعداد آدرس از بلوک آدرس  $a.b.c.d / 24$  باقی می‌ماند؟

- (۱) ۹۰
- (۲) ۸۸
- (۳) ۴۸
- (۴) ۳۲

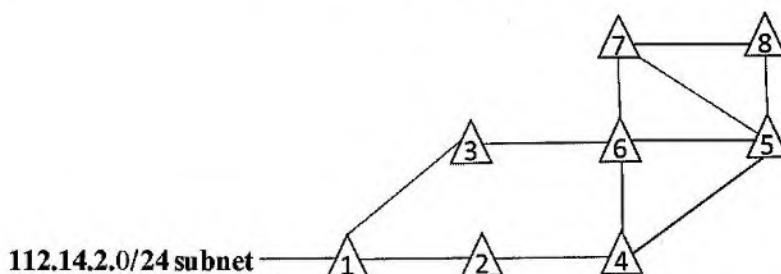
۱۱۳- شکل زیر بخشی از شبکه اینترنت شامل ۸ سامانه خودگردان (AS: autonomous system) را نشان می‌دهد. هر سامانه خودگردان به شکل یک مثلث نشان داده شده است. سامانه‌های خودگردان ۲ الی ۷ ارائه‌دهنده (provider) هستند، لذا ترافیک دریافتی از دیگر سامانه‌ها را از خود عبور می‌دهند. سامانه‌های خودگردان ۱ و ۸ مشتری هستند و فقط ترافیک مربوط به خود را دریافت و ارسال می‌کنند. سامانه‌های خودگردان ۴ و ۶ از سیاست (policy) خاص خود استفاده می‌کنند و با حضور این سیاست‌ها است که مسیریابی‌های درون سامانه خودگردان ۸ اطلاعات زیر را از iBGP دریافت می‌کنند:

AS5 – AS6 – AS4 – AS2 – AS1 – 112.14.2.0

AS7 – AS5 – AS6 – AS3 – AS1 – 112.14.2.0

AS5 – AS6 – AS3 – AS1 – 112.14.2.0

چنانچه سامانه خودگردان ۴ دست از اعمال سیاست بردارد و هیچ سیاستی را اعمال نکند، چه اطلاعات دیگری توسط iBGP به مسیریابی‌های درون سامانه خودگردان ۸ خواهد رسید؟



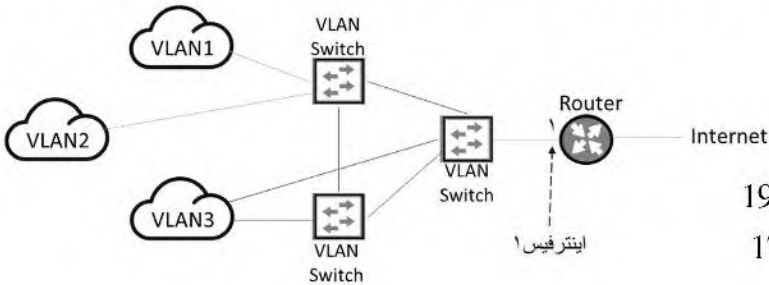
(۱) AS5 – AS4 – AS2 – AS1 – 112.14.2.0

(۲) AS7 – AS5 – AS4 – AS2 – AS1 – 112.14.2.0 و AS5 – AS4 – AS2 – AS1 – 112.14.2.0

(۳) AS7 – AS5 – AS4 – AS2 – AS1 – 112.14.2.0

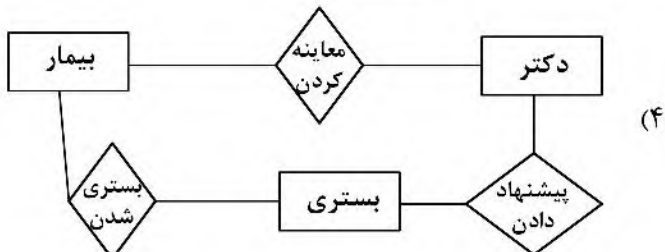
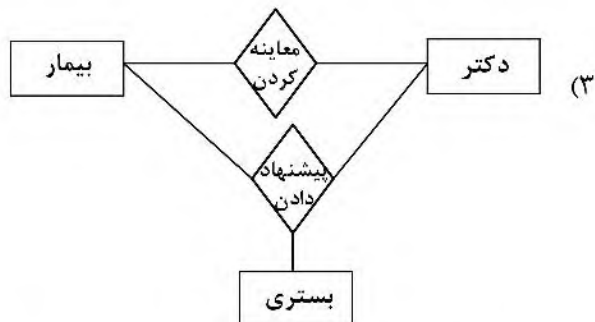
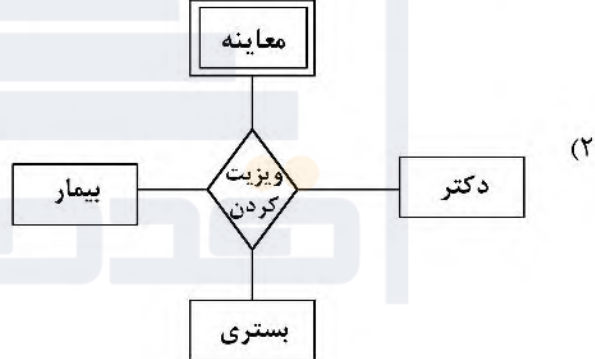
(۴) هیچ اطلاعات جدیدی نمی‌رسد.

۱۱۴- شکل زیر سه VLAN که با استفاده از سه VLAN Switch ایجاد شده است را نشان می‌دهد. آدرس‌های IP هر VLAN به قرار زیر است. اینترفیس ۱ از مسیریاب (Router) کدام یک از آدرس‌های زیر را دارد؟  
**VLAN1: 10.0.0.0 و VLAN2: 172.16.0.0 و VLAN3: 192.168.0.0**



- (۱) 10.1.1.1 یا 172.16.1.1 یا 192.168.1.1
- (۲) 10.1.1.1 و 192.168.1.1 و 172.16.1.1
- (۳) 10.1.1.1 یا 172.16.1.1
- (۴) 10.1.1.1 و 192.168.1.1

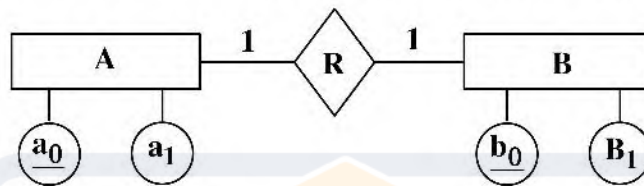
۱۱۵- در مستندات تحلیل یک سامانه پزشکی این چنین ذکر شده است: «دکتر پس از معاینه بیمار، در صورت نیاز، به وی پیشنهاد بستری شدن می‌دهد.» کدام یک از گزینه‌های زیر عبارت بالا را مدل می‌کند؟



۱۱۶- کدام گزینه درست است؟

- (۱) حصول استقلال داده‌ای منطقی و استقلال داده‌ای فیزیکی به یک اندازه مشکل است.
- (۲) امکان ایجاد استقلال داده‌ای فیزیکی نسبت به استقلال داده‌ای منطقی بیشتر است.
- (۳) حصول استقلال داده‌ای منطقی از حصول استقلال داده‌ای فیزیکی آسان‌تر است.
- (۴) در خصوص امکان حصول استقلال داده‌ای منطقی و فیزیکی و میزان سختی حصول آنها صرفاً با مشخص بودن مسئله می‌توان اظهار نظر کرد.

۱۱۷- کدام مورد در تبدیل نمودار موجودیت رابطه مطرح شده به جدول، درست است؟ (لازم به ذکر است تعداد نمونه موجودیت‌های A و B بسیار زیاد و نرخ شرکت کردن آنها در رابطه R بسیار اندک است.)



جدول ABR

<u>a<sub>0</sub></u>	a <sub>1</sub>	b <sub>0</sub>	b <sub>1</sub>
----------------------	----------------	----------------	----------------

جدول A

<u>a<sub>0</sub></u>	a <sub>1</sub>	b <sub>0</sub>
----------------------	----------------	----------------

جدول B

<u>b<sub>0</sub></u>	b <sub>1</sub>
----------------------	----------------

جدول A

<u>a<sub>0</sub></u>	a <sub>1</sub>
----------------------	----------------

جدول B

<u>b<sub>0</sub></u>	b <sub>1</sub>
----------------------	----------------

جدول R

<u>a<sub>0</sub></u>	<u>b<sub>0</sub></u>
----------------------	----------------------

(۴) همه موارد درست هستند.

۱۱۸- کدام مورد، خروجی رابطه روبه‌رو است؟

$$(\delta(\text{STUD})) \cap (\delta(\text{CRS})) = ?$$

Avg>16                      Unit=3

(معدل) Avg, (شهر) City, (نام و نام خانوادگی) Sname, (شماره دانشجویی) S# STUD (دانشجو)

(مدرک) Degree, (شماره اتاق) Office, (نام استاد) Pname PROF (استاد)

(تعداد واحد) Unit, (نام درس) Cname, (کد درس) C# CRS (درس)

(نمره) Pname, Score, (کد ترم) Term, (کد) C#, S#, S#, SEC (اخذ درس)

(۱) فقط دانشجویان که معدل آنها در دروس ۳ واحدی بالاتر از ۱۶ است را لیست می‌کند.

(۲) فقط مشخصات دانشجویانی را که دروس ۳ واحدی اخذ کرده‌اند نمایش می‌دهد.

(۳) دانشجویانی که معدل بالاتر از ۱۶ هستند و دروس ۳ واحدی را نیز اخذ کرده‌اند.

(۴) این امکان‌پذیر نیست، زیرا از یک دامنه یکسان گرفته نشده است.



۱۱۹- جداول روبه‌رو را در نظر بگیرید. کدام مورد، توصیف کوثری مطرح شده است؟ (برای راحتی، اسامی انگلیسی ستون‌ها نیز نوشته شده است.)

جدول دانشجو (Student)

شماره دانشجویی	نام و نام خانوادگی
<u>Stn</u>	Name

جدول درس (Course)

کد درس	نام درس
<u>Code</u>	CName

جدول درس اخذ شده (Taken)

کد درس	شماره دانشجو	نمره
<u>CCode</u>	<u>SStn</u>	Mark

```
select Name
from Student S
where not exists ((select *
from Taken T join Student on Stn = SStn
where Name = 'Mina Asadi' and
not exists
( select *
from Taken B
where B.SStn = S.SStn
and T. CCode = B.CCode))
```

- ۱) نام و نام خانوادگی دانشجویانی که همه درس‌هایی را که مینا اسدی اخذ کرده، آنها نیز اخذ کرده‌اند.
  - ۲) نام و نام خانوادگی دانشجویانی که هیچ‌یک از درس‌هایی را که مینا اسدی اخذ کرده، آنها اخذ نکرده‌اند.
  - ۳) نام و نام خانوادگی دانشجویانی که همه درس‌هایی را که مینا اسدی اخذ نکرده، آنها اخذ کرده‌اند.
  - ۴) نام و نام خانوادگی دانشجویانی که فقط درس‌هایی را اخذ نکرده‌اند که مینا اسدی نیز آنها را اخذ نکرده است.
- ۱۲۰- اگر رابطه زیر تا سطح سوم، نرمال‌سازی شود پاسخ کدام است؟

$R(X, Y, Z, S, T, U, W)$

$F = \{S \rightarrow X, T \rightarrow Y, X \rightarrow Y, XY \rightarrow TUZ\}$

- ۱)  $R_1(\underline{S}, W), R_{21}(\underline{X}, Z, T, U), R_{22}(\underline{T}, Y)$
- ۲)  $R_1(\underline{S}, W), R_2(\underline{S}, X, Y, Z, T, U), R_{21}(\underline{S}, X), R_{221}(\underline{X}, Z, T, U)$
- ۳)  $R_1(\underline{S}, W), R_2(\underline{S}, X, Y, Z, T, U), R_{21}(\underline{S}, X), R_{22}(\underline{X}, Y, Z, T, U)$
- ۴)  $R_1(\underline{S}, W), R_{21}(\underline{S}, X), R_{221}(\underline{X}, Z, T, U), R_{22}(\underline{T}, Y)$









مشاهده کلید اولیه سوالات آزمون کارشناسی ارشد 1401

به اطلاع می‌رساند، کلید اولیه سوالات که در این سایت قرار گرفته است، غیر قابل استناد است و پس از دریافت نظرات داوطلبان و صاحب نظران کلید نهایی سوالات تهیه و بر اساس آن کارنامه داوطلبان استخراج خواهد شد. در صورت تمایل می‌توانید حداکثر تا تاریخ 1401/03/11 با مراجعه به سامانه پاسخگویی اینترنتی (request.sanjesh.org) نسبت به تکمیل فرم "اعتراض به کلید سوالات"/"آزمون کارشناسی ارشد سال 1401" اقدام نمایید. لازم به ذکر است نظرات داوطلبان فقط تا تاریخ مذکور و از طریق فرم ذکر شده دریافت خواهد شد و به موارد ارسالی از طریق دیگر (نامه مکتوب یا فرم عمومی در سامانه پاسخگویی و ...) یا پس از تاریخ اعلام شده رسیدگی نخواهد شد.

عنوان دفترچه	نوع دفترچه	گروه امتحانی
مهندسی کامپیوتر	B	فنی و مهندسی

شماره سوال	گزینه صحیح	شماره سوال	گزینه صحیح	شماره سوال	گزینه صحیح	شماره سوال	گزینه صحیح	شماره سوال	گزینه صحیح
1	1	31	3	61	4	91	1	121	سفید
2	4	32	1	62	1	92	2	122	سفید
3	3	33	2	63	3	93	3	123	سفید
4	2	34	1	64	2	94	4	124	سفید
5	4	35	4	65	4	95	2	125	سفید
6	1	36	1	66	4	96	2	126	سفید
7	2	37	3	67	3	97	1	127	سفید
8	1	38	4	68	4	98	3	128	سفید
9	3	39	1	69	2	99	4	129	سفید
10	3	40	3	70	1	100	3	130	سفید
11	4	41	2	71	3	101	1	131	سفید
12	2	42	4	72	2	102	3	132	سفید
13	1	43	2	73	4	103	1	133	سفید
14	2	44	4	74	1	104	1	134	سفید
15	3	45	1	75	2	105	3	135	سفید
16	2	46	2	76	4	106	2	136	سفید
17	4	47	2	77	3	107	2	137	سفید
18	3	48	3	78	1	108	2	138	سفید
19	1	49	3	79	3	109	3	139	سفید
20	2	50	2	80	1	110	4	140	سفید
21	3	51	2	81	4	111	1	141	سفید
22	4	52	4	82	2	112	3	142	سفید
23	1	53	3	83	2	113	2	143	سفید
24	4	54	2	84	2	114	2	144	سفید
25	1	55	1	85	1	115	1	145	سفید
26	3	56	4	86	3	116	2	146	سفید
27	2	57	2	87	4	117	3	147	سفید
28	4	58	1	88	1	118	4	148	سفید
29	1	59	3	89	1	119	1	149	سفید
30	3	60	2	90	3	120	4	150	سفید
شماره سوال	گزینه صحیح	شماره سوال	گزینه صحیح	شماره سوال	گزینه صحیح	شماره سوال	گزینه صحیح	شماره سوال	گزینه صحیح
181	سفید	211	سفید	241	سفید	271	سفید	301	سفید
182	سفید	212	سفید	242	سفید	272	سفید	302	سفید
183	سفید	213	سفید	243	سفید	273	سفید	303	سفید
184	سفید	214	سفید	244	سفید	274	سفید	304	سفید
185	سفید	215	سفید	245	سفید	275	سفید	305	سفید
186	سفید	216	سفید	246	سفید	276	سفید	306	سفید
187	سفید	217	سفید	247	سفید	277	سفید	307	سفید
188	سفید	218	سفید	248	سفید	278	سفید	308	سفید